



Industrial Air Circulator Instructions
For Outdoor High Stand Floor Fan Models
READ AND SAVE THESE IMPORTANT INSTRUCTIONS

It is important that the following safety precautions be followed when using this product:

- ALWAYS unplug unit for cleaning or maintenance.
- ALWAYS unplug unit when not in use.
- ALWAYS unplug when moving unit from one location to the next.
- Use Only on grounded Receptacles.
- DO NOT use an extension cord.
- DO NOT place foreign objects through guards into blades.
- DO NOT use this fan with any solid state speed control device.
- DO NOT operate any fan with a damaged cord or plug. Discard fan or return to an authorized service facility for examination and/or repair.
- DO NOT run cord under carpeting.
- DO NOT cover cord with throw rugs, runners, or similar coverings.
- DO NOT route cord under furniture or appliances. Arrange cord away from traffic area and where it will not be tripped over.

WARNING: To Avoid risk of fire or electrical shock, DO NOT use this fan with any solid state speed control device.

ASSEMBLY INSTRUCTIONS

Remove unit from carton. Locate 1/4-20 x 3 1/2" screws at end of support arm, opposite end with fan head. Remove screws closest to the end of the support arm, by loosening and removing nuts and washers. Fold both tubular feet downward (with and without wheels) until holes on tubular feet and support arm line up. Place screw through holes and place washers and nuts back onto screws. Secure fasteners. Fan should now be ready for operation. Reference assembly drawing and parts list on the reverse side of this instruction sheet.

OPERATING INSTRUCTIONS

Plug the GFCI (Ground-Fault Circuit-Interrupter) plug into any 120 volt 60 Hz grounded outlet. Press the test button to insure the GFCI device functions than press the reset button. The GFCI device must be tested before each operation to assure safe operation. This unit is equipped with a three (3) speed selector switch, which allows you to select a desired amount of air delivery. During a normal operation it is not uncommon for the motor to be warm to the touch. The motor is equipped with a thermo-protector and will automatically de-energize the fan if it were to over heat for any reason. If this should happen immediately disconnect unit from power outlet.

P.O. Box 4973 * Johnson City, Tennessee 37602-4973 * 423-477-4131 * Fax 423-477-0683

CLEANING / MAINTENANCE INSTRUCTIONS

All maintenance should be done by either TPI Corporation or a qualified electrician. The motor bearings are lubricated at the factory and should not require any additional lubrication. However, if bearing lubrication is required, apply a small amount of synthetic oil to the motor bearing.

Remove two retaining screws and open the six guard clips on the flange. Lift front guard up and off to separate the two halves. Use mild detergent to clean the blade and guards. Avoid allowing cleanser to come in contact with the motor windings or bearings. Then replace front guard in reverse order of disassembly. Allow fan to completely dry before next use.

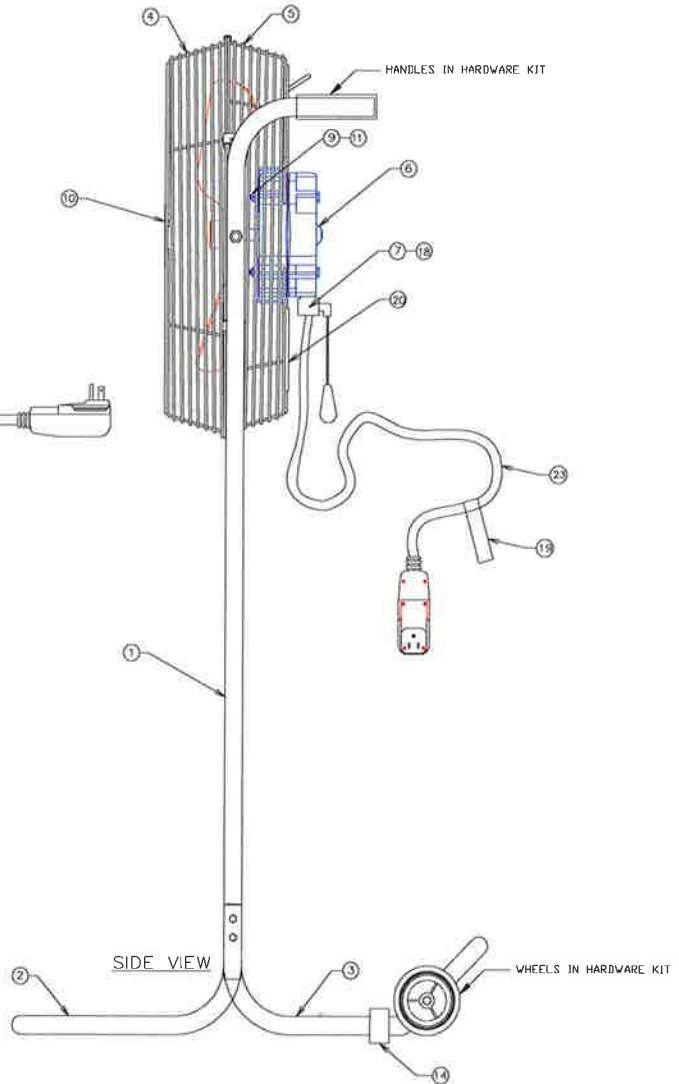
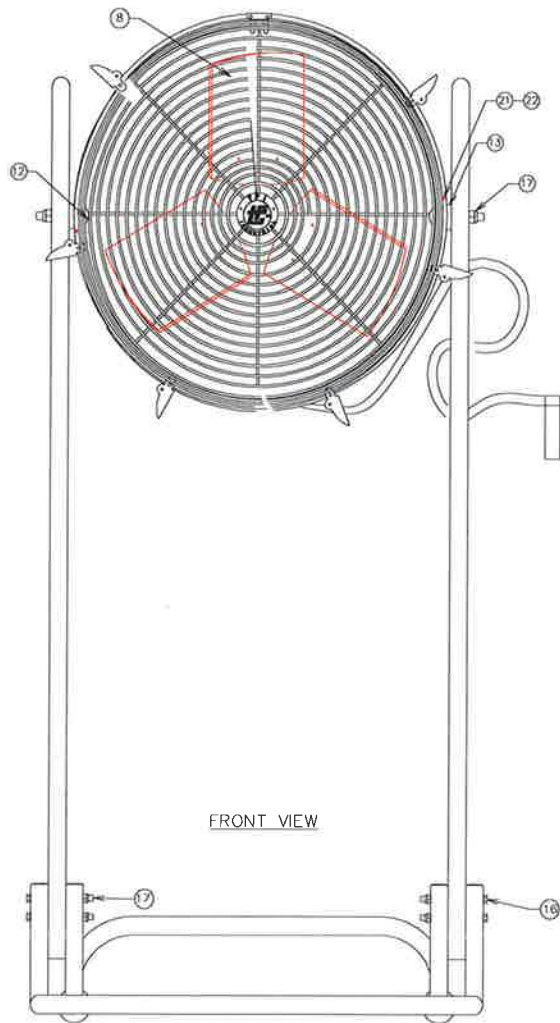
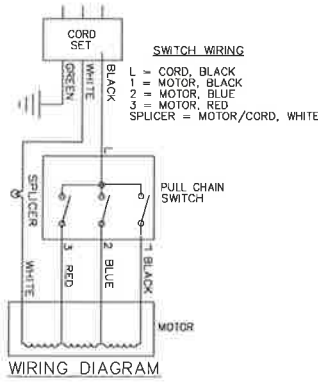
Reference assembly drawing and parts list on the reverse side of this instruction sheet. Save these important instructions. Your TPI Air Circulator carries a one year warranty.

For additional information on TPI Products or replacement parts, call TPI Customer Service Department at 1-800-251-0382 or write the address below.

P.O. Box 4973 * Johnson City, Tennessee 37602-4973 * 423-477-4131 * Fax 423-477-0683

ITEM NO.	VARIATION	QTY	TP1 P/N	DESCRIPTION
1		2	58053-101	ARM
2		1	58054-101	FOOT
2		1	58054-102	FOOT
3		1	58055-101	FOOT WITH WHEELS
3		1	58055-102	FOOT WITH WHEELS
4		1	63990-002	FRONT GUARD
4		1	63993-002	FRONT GUARD
5		1	63991-002	REAR GUARD
5		1	63992-002	REAR GUARD
6		1	58364-010	MOTOR
7		1	58049-xxx	DATA LABEL
7		1	58049-xxx	DATA LABEL
8		1	58299-008	FAN BLADE ASSEMBLY
8		1	29904-017	FAN BLADE ASSEMBLY
9		4	43957-001	WASHER, FLAT
10		1	43887-001	CENTER LOGO LABEL
11		4	3904	NUT, #8-32 NYLOCK
12		2	42502-004	BOLT, 1/4" - 20 X 2 CARRAGE
13		2	43884-001	RUBBER BUSHING
14		2	43884-003	RUBBER BUSHING
15		2	43894-001	NUT, 1/4" - 20 NYLOCK
16		2	43893-004	BOLT, 1/4" - 20 X 2.500"
17		4	4901	NUT, 1/4" - 20 HI-CROWN NYLOCK
18		1	42630-001	WARNING LABEL
19		1	51598-010	LABEL, OUTDOOR USE
20		1	44259-010	LABEL, EXTENSION CORD
21		2	5478	SCREW, #4x.575
22		2	5479	NUT, #4-40
23		1	44115-001	CORRSET

☒ DENOTES ITEM REQUIRED FOR THAT MODEL





Industrial Air Circulator Instructions

For Outdoor Rated Floor Fan Models

READ AND SAVE THESE IMPORTANT INSTRUCTIONS

It is important that the following safety precautions be followed when using this product:

- ALWAYS unplug unit for cleaning or maintenance.
- ALWAYS unplug unit when not in use.
- ALWAYS unplug when moving unit from one location to the next.
- Use Only on grounded Receptacles .
- DO NOT use an extension cord.
- DO NOT place foreign objects through guards into blades.
- DO NOT operate any fan with a damaged cord or plug. Discard fan or return to an authorized service facility for examination and/or repair.
- DO NOT run cord under carpeting.
- DO NOT cover cord with throw rugs, runners, or similar coverings.
- DO NOT route cord under furniture or appliances. Arrange cord away from traffic area and where it will not be tripped over.

WARNING: To avoid risk of fire or electrical shock, DO NOT use this fan with any solid state speed control device.

This appliance is not intended for use by persons (including children) with reduced physical, sensory or mental capabilities, or lack of experience and knowledge, unless they have been given supervision or instruction concerning use of the appliance by a person responsible for their safety. If the supply cord is damaged, it must be replaced by the manufacturer, its service agent or similarly qualified persons in order to avoid a hazard.

OPERATING INSTRUCTIONS

Plug the GFCI (Ground-Fault Circuit-Interrupter) plug into any 120 volt 60Hz grounded outlet. Press the test button to insure the GFCI device functions than press the reset button. The GFCI device must be tested before each operation to assure safe operation. This unit is equipped with a three (3) speed selector switch, which allows you to select a desired amount of air delivery. During normal operation it is not uncommon for the motor to be warm to the touch. The motor is equipped with a thermo-protector and will automatically de-energize the fan if it were to over heat for any reason. If this should happen immediately disconnect unit from power outlet.

CLEANING / MAINTENANCE INSTRUCTIONS

All maintenance should be done by either TPI Corporation or a qualified electrician. The motor bearings are lubricated at the factory and should not require any additional lubrication. However, if bearing lubrication is required, apply a small amount of a synthetic oil to the motor bearing. Remove two retaining screws and open the six guard clips on the flange. Lift front guard up and off to separate the two halves. Use a mild detergent to clean the blade and guards. Avoid allowing cleanser to come in contact with the motor windings or bearings. Then replace front guard in reverse order of disassembly. Allow fan to completely dry before next use.

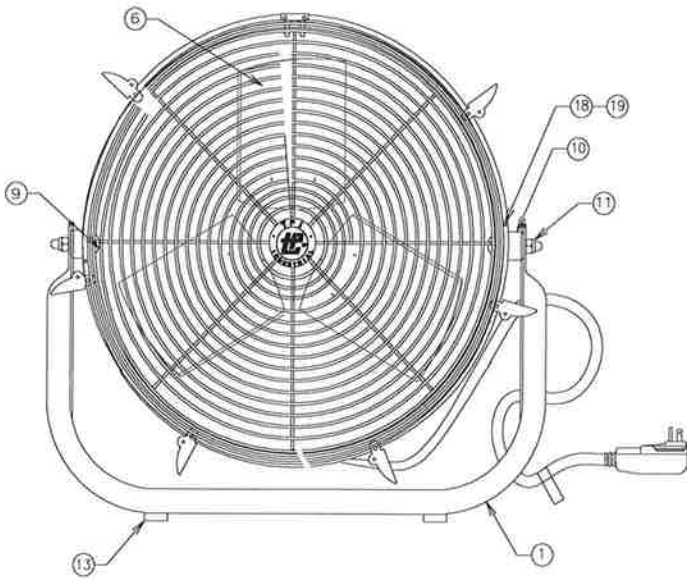
Reference assembly drawing and parts list on the reverse side of this instruction sheet. Save these important instructions. Your TPI Air Circulator carries a one year warranty.

For additional information on TPI Products or replacement parts, call TPI Customer Service Department at 1-800-251-0382 or write the address below.

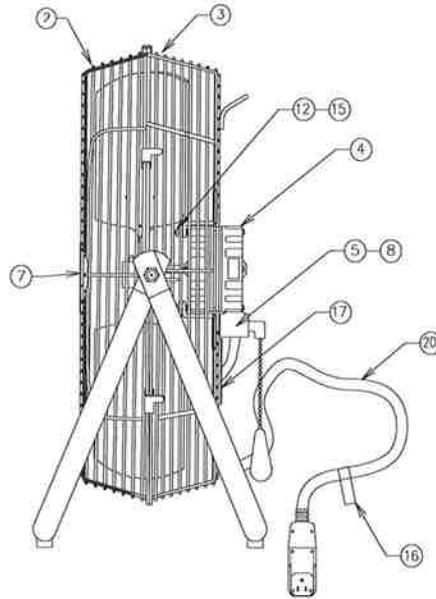
P.O. Box 4973 * Johnson City, Tennessee 37602-4973 * 423-477-4131 * Fax 423-477-0683

MODEL				
ITEM NO.	VAR	QTY	TP1 P/N	DESCRIPTION
1	-001	1	58048-502	STAND ASSEMBLY
1	-002	1	58048-506	STAND ASSEMBLY
2		1	63990-002	FRONT GUARD
2		1	63993-002	FRONT GUARD
3		1	63991-002	REAR GUARD
3		1	63992-002	REAR GUARD
4		1	58364-010	MOTOR, TOTALLY ENCLOSED
5		1	58049-034	DATA LABEL
5		1	58049-066	DATA LABEL
6		1	58299-008	FAN BLADE ASSEMBLY
6		1	29904-017	FAN BLADE ASSEMBLY
7		1	43887-001	CENTER LOCK LABEL
8		1	42630-001	LABEL, CAUTION AUTOMATIC
9		2	42502-001	BOLT, 1/4"-20 X 1.250" CARRIAGE
10		2	43884-001	RUBBER BUSHING
11		2	4901	NUT, 1/4"-20 HI-CROWN NYLOCK
12		4	3904	NUT, #8-32 NYLOCK
13		4	43884-002	RUBBER BUSHING
14		2	3377	NYLON TY-RAP
15		4	43957-001	WASHER, FLAT
16		1	51598-010	LABEL, OUTDOOR USE
17		1	44559-003	LABEL, EXTENSION CORD
18		2	5478	SCREW, #4x.375
19		2	5479	NUT, #4-40
20		1	44115-001	CORDSET

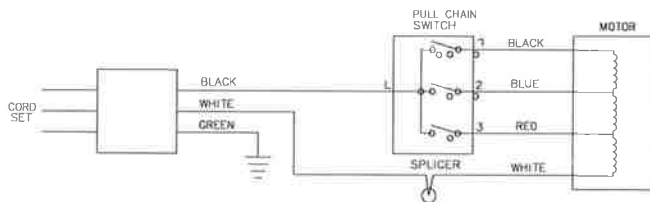
☒ DENOTES ITEM REQUIRED FOR THAT MODEL



FRONT VIEW



SIDE VIEW



WIRING DIAGRAM

SWITCH WIRING

- L = CORD, BLACK
- 1 = MOTOR, BLACK
- 2 = MOTOR, BLUE
- 3 = MOTOR, RED
- SPLICER = MOTOR/CORD, WHITE

Industrial Air Circulator Instructions

For Outdoor Utility Fan Models

READ AND SAVE THESE IMPORTANT INSTRUCTIONS

It is important that the following safety precautions be followed when using this product:

- ALWAYS unplug unit for cleaning or maintenance.
- ALWAYS unplug unit when not in use.
- ALWAYS unplug when moving unit from one location to the next.
- Use Only on GFCI Protected Receptacles.
- DO NOT use an extension cord.
- DO NOT place foreign objects through guards into blades.
- DO NOT use this fan with any solid state speed control device.
- DO NOT operate any fan with a damaged cord or plug. Discard fan or return to an authorized service facility for examination and/or repair.
- DO NOT run cord under carpeting.
- DO NOT cover cord with throw rugs, runners, or similar coverings.
- DO NOT route cord under furniture or appliances. Arrange cord away from traffic area and where it will not be tripped over.

WARNING: To reduce the risk of fire, electrical shock, or injury to persons, observe the following:

- Use this unit only in the manner intended by the manufacturer. If you have questions, contact the manufacturer.
- Before servicing or cleaning unit, switch power off at service panel and lock service panel to prevent power from being switched on accidentally. When the service disconnecting means cannot be locked, securely fasten a prominent warning device, such as a tag to the service panel.

INSTALLATION INSTRUCTIONS

For installation on wood structures, use a 1/2" lag screw of appropriate length for the application.

For installation on steel structures, use a 1/2" bolt of the appropriate length for the application, in combination with a flat washer, a lock washer and a 1/2" nut.

For installation on masonry structures, use a 1/2" lag screw, in combination with a lag shield, of appropriate length for the application.

In all cases, it is recommended that a flat washer be placed on both sides of the fan yoke to assist in smooth rotation.

OPERATING INSTRUCTIONS

This unit is equipped with a three (3) speed selector switch, which allows you to select a desired amount of air delivery. During normal operation it is not uncommon for the motor to be warm to the touch. The motor is equipped with a thermo-protector, and will automatically de-energize the fan if it were to over heat for any reason. If this should happen immediately disconnect unit from power outlet.

CLEANING/MAINTENANCE INSTRUCTIONS

All maintenance should be done by either TPI Corporation or a qualified electrician. The motor bearings are lubricated at the factory and should not require any additional lubrication. However, if bearing lubrication is required, apply a small amount of a synthetic oil to the motor bearing.

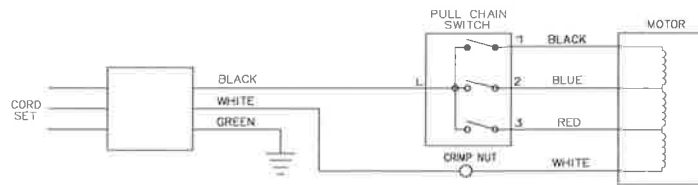
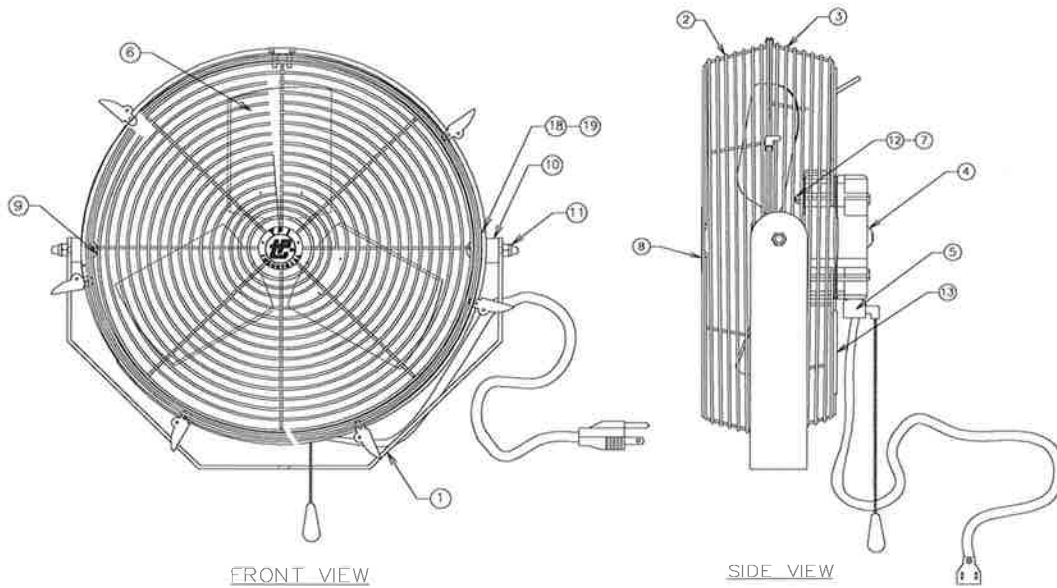
Remove two retaining screws and open the six guard clips on the flange. Lift front guard up and off to separate the two halves. Use mild detergent to clean the blade and guards. Avoid allowing cleanser to come in contact with the motor windings or bearing. Then replace front guard in reverse order of disassembly. Allow fan to dry completely before next use.

Reference assembly drawing and parts list on the reverse side of this instruction sheet. Save these important instructions. Your TPI Air Circulator carries a one year warranty.

For additional information on TPI Products or replacement parts, call TPI Customer Service Department at 1-800-251-0382 or write the address below.

PO. Box 4973 • Johnson City, Tennessee 37602-4973 • 423-477-4 i31 • FAX 423-477-0683

ITEM NO.	QTY	PN	DESCRIPTION
1	1	58056-012	YAKE
1	1	58056-013	YAKE
2	1	63985-003	FRONT GUARD
2	1	63985-001	FRONT GUARD
3	1	63991-001	REAR GUARD
3	1	63992-001	REAR GUARD
4	1	58044-010	MOTOR, COMPLETELY ENCLOSED
5	1	58049-036	DATA LABEL
5	1	58046-005	DATA LABEL
6	1	58049-038	FAN BLADE ASSEMBLY
6	1	69904-017	FAN BLADE ASSEMBLY
7	4	43252-001	WASHER FLAT
8	1	43889-001	SCREW, 1/8" X 1/2"
9	2	43200-000	BELT 1/4" X 20 X 1/8" CARBIDE
10	2	43884-001	RUBBER BUSHING
11	4	4901	NUT, 1/4" X 3/8" HE-CROWN NYLON
12	4	4904	NUT, #8-32 NYLON
13	1	43883-001	SWITCH PLATE LABEL
14	1	43884-002	SWITCH PLATE LABEL
15	1	44359-001	CAUTION LABEL
16	1	44370-001	CAUTION LABEL, AUTOMATIC
17	1	44359-002	LABEL, OUTDOOR USE
18	2	5479	SCREW, #4x3/8
19	2	5479	NUT, #4-40
FOLLOWING ITEMS ARE NOT SHOWN			
20	1	58044-002	CARTON
20	3	58071-001	CARTON
21	3	58073-001	FRAM INSERT
21	3	58073-001	FRAM INSERT
22	1	58046-041	CARTON LABEL
22	1	58046-011	CARTON LABEL
23	1	1728	TAPE, CARTON
24	1	0415	INSTRUCTION SHEET
25	1	1804	NYLON TIE-RAP



SWITCH WIRING
 L = CORD, BLACK
 1 = MOTOR, BLACK
 2 = MOTOR, BLUE
 3 = MOTOR, RED
 SPlicer = MOTOR/CORD, WHITE

WIRING DIAGRAM