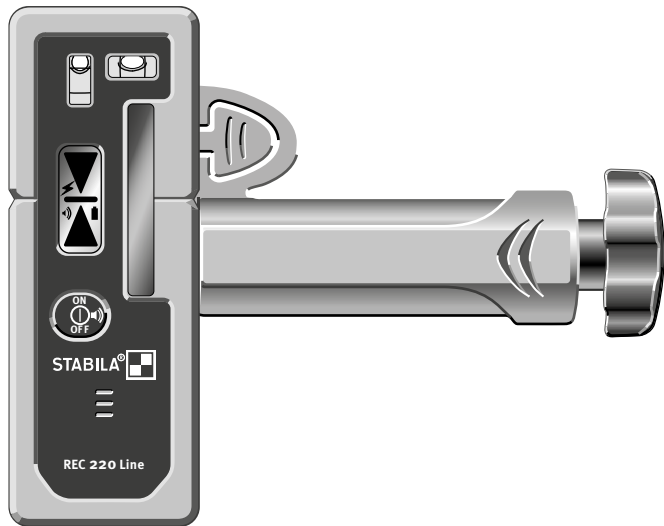


STABILA®



...sets standards



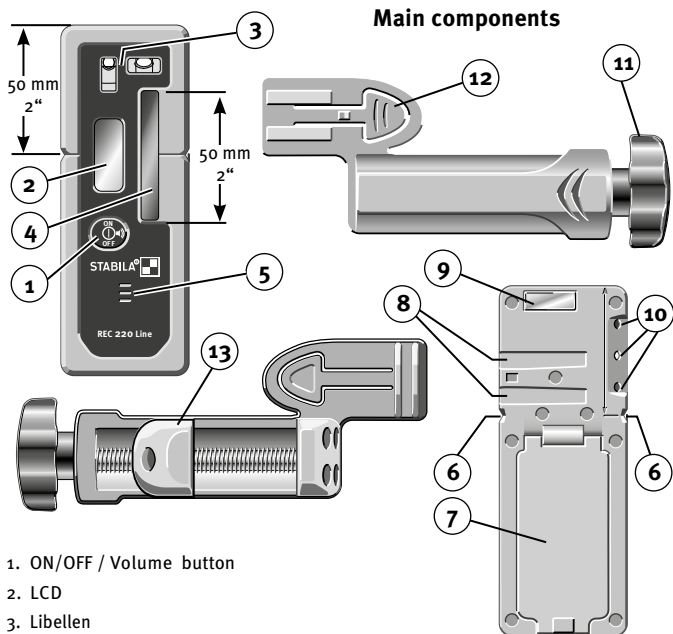
## Receiver REC 220 Line

en Operating instructions

## Operating instructions

The STABILA REC 220 Line is a simple-to-use receiver for the rapid capture of laser lines. The STABILA REC 220 Line can only receive pulse modulated laser beams. The receiver will not work with rotation lasers !

If you still have questions after reading through the operating instructions, you can obtain advice by telephone: +49 63 46 / 3 09-0  
USA + Canada : 1.800.869.7460



1. ON/OFF / Volume button
2. LCD
3. Libellen
4. Laser receiver glass 50 mm / 2"
5. Beeper
6. "In line" marks
7. Battery compartment cover
8. Guide groove for retaining clip
9. Magnet
10. LED-Display
11. Securing knob
12. Release button
13. Moveable clamping jaw

## Inserting / Replacing the batteries

Slide the battery cover (7) in the direction of the arrow and insert new batteries in accordance with the symbols in the battery compartment.

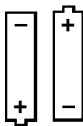
Remove the batteries if the unit will not be used for a long period!



Batteries weak



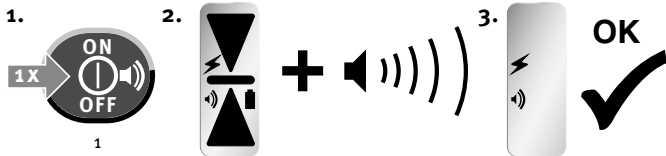
2x 1,5V  
Alkaline  
AA, LR6,  
Mignon



## Getting started

Press the ON/OFF/VOLUME button (1). An audio signal and a short flash from the display will confirm, that the instrument is switched on. Press the ON/OFF/VOLUME button (1) quickly once (2sec) to switch the instrument off.

If the instrument is not used, it will automatically switch itself off after 17 minutes

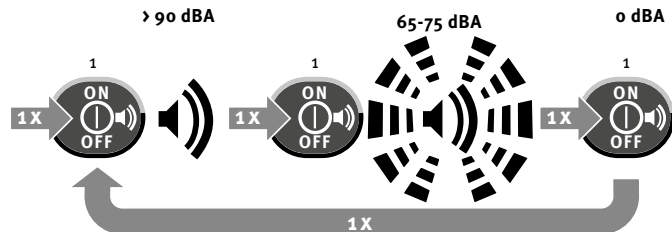


## Audio signals

Setting the volume

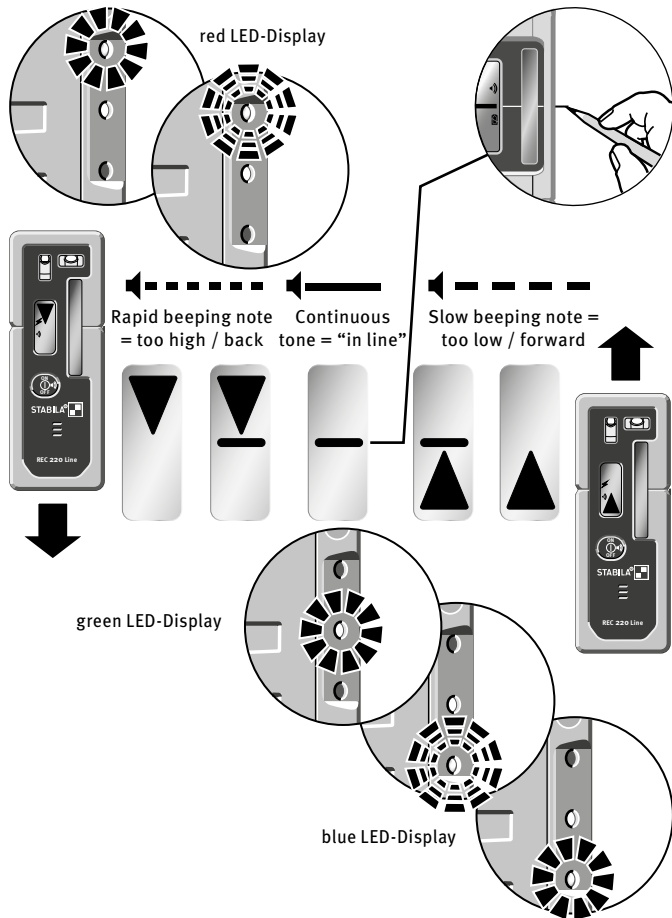
The volume is increased/decreased by pressing the button (1) briefly and repeatedly: Loud, soft or off.

If the instrument is set to "silent" only a short beep is emitted when the laser beam is received.



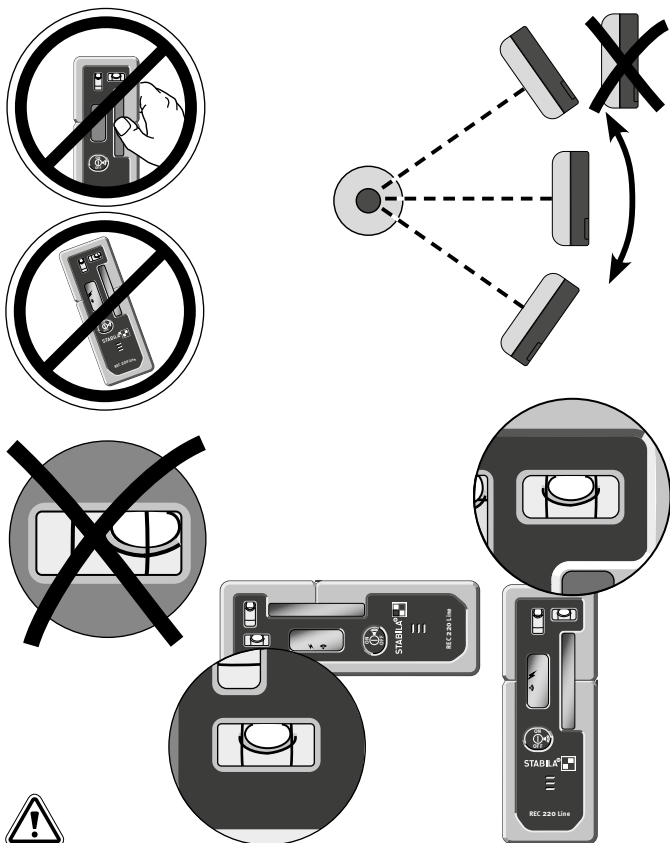
## Height difference display

5 display steps and 3 LEDs indicate the divergence from the centre of the laser line. The central bar indicates the "in line" position of the REC 220 Line.



## Positioning and aligning the receiver

Correct handling for attaining the correct measuring result:



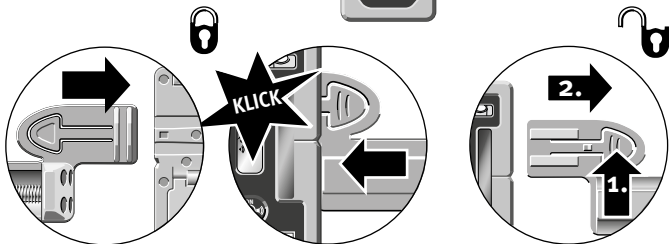
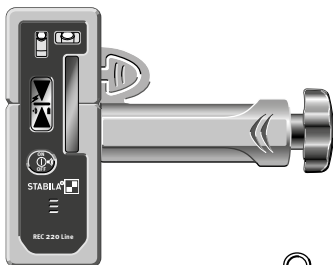
### Note:

At close range  $\leq 4 \text{ m}$  /  $\leq 13'$ , reflections can result in incorrect measurements. Always check the plausibility of measurements taken at close range!

## Bracket

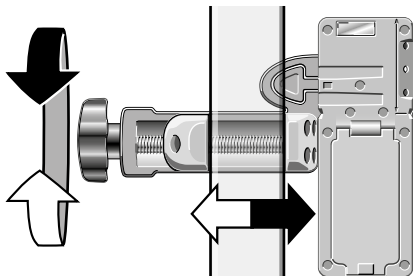
### Fastening:

Push the retaining clip into the guide groove until it engages.  
Pressing the release button releases the fixing and the retaining clip can be pulled off.



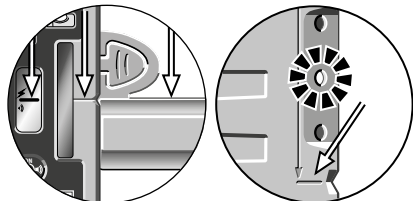
### Securing knob:

Turning the securing knob fixes / releases the clamp with the receiver to/from the levelling staff.



### Read-off reference:

on a line with the "In line" marks of the receiver.



## Technical data

Measuring distance:	4m -75 m /13' -246' depending on the unit type		
Typical accuracy	Fine: $\pm 1,0$ mm $\pm 1/32$ in		
Detectable Spectrum:	530 nm - 670 nm		
Acceptance Angle:	$\pm 45^\circ$		
Audio signals:	Loud: $> 90$ dBA	Low: 65 - 75 dBA	
Batteries:	2x 1,5V Alkaline, Mignon, AA,LR6		
Operating life:	$> 50$ hours		
Automatic Shutoff:	17 minutes		
Operating temperature range:	-20°C to +60°C	- 4 °F to +140 °F	
Storage temperature range:	-40°C to +70°C	-40 °F to +158 °F	
Device protection class:	IP 67		
Weight	Receiver	210g	7.4 oz
	Bracket	114 g	4 oz



Subject to technical modifications.



Clean the unit with a damp cloth.  
Do not use solvents or thinners!

## Recycling programme for our EU customers:

In accordance with the WEEE regulations, STABILA provides a disposal programme for electronic products at the end of their service life.

For more details, please contact: +49 63 46 / 3 09-0



## Declaration of warranty by STABILA

In addition to the statutory rights of buyers, which are not limited by this warranty, STABILA guarantees that the unit is free from defects and has assured features in the event of material or manufacturing defects for a period of 24 months from the date of purchase. Any defects / errors will be remedied at our discretion through reworking or replacement. STABILA will not assume liability for further claims. Defects resulting from improper handling (e.g. damage due to application of serious force, operation with incorrect voltage / current type, use of unsuitable power source) and unauthorised modifications of the unit by the buyer or a third party shall invalidate the warranty. STABILA does not provide a warranty for natural signs of wear and minor defects that do not affect the operation of the unit.

Any warranty claims should be made through your dealer and be accompanied by your sales receipt, completed certificate of warranty (see last page of operating instructions) and the unit itself.

## Certificate of warranty for STABILA REC 220 Line

Customer:

---

---

Adress:

---

---

---

Date of purchase:

---

Dealer (stamp, signature):

---

---

---





STABILA Messgeräte  
Gustav Ullrich GmbH

P.O. Box 13 40 / D-76851 Annweiler  
Landauer Str. 45 / D-76855 Annweiler

Tel.: 00 49 (0) 63 46 / 309 - 0

Fax: 00 49 (0) 63 46 / 309 - 480

e-mail: [info@stabila.de](mailto:info@stabila.de)

[www.stabila.de](http://www.stabila.de)

STABILA Inc.

332 Industrial Drive  
South Elgin , IL 60177

1.800.869.7460