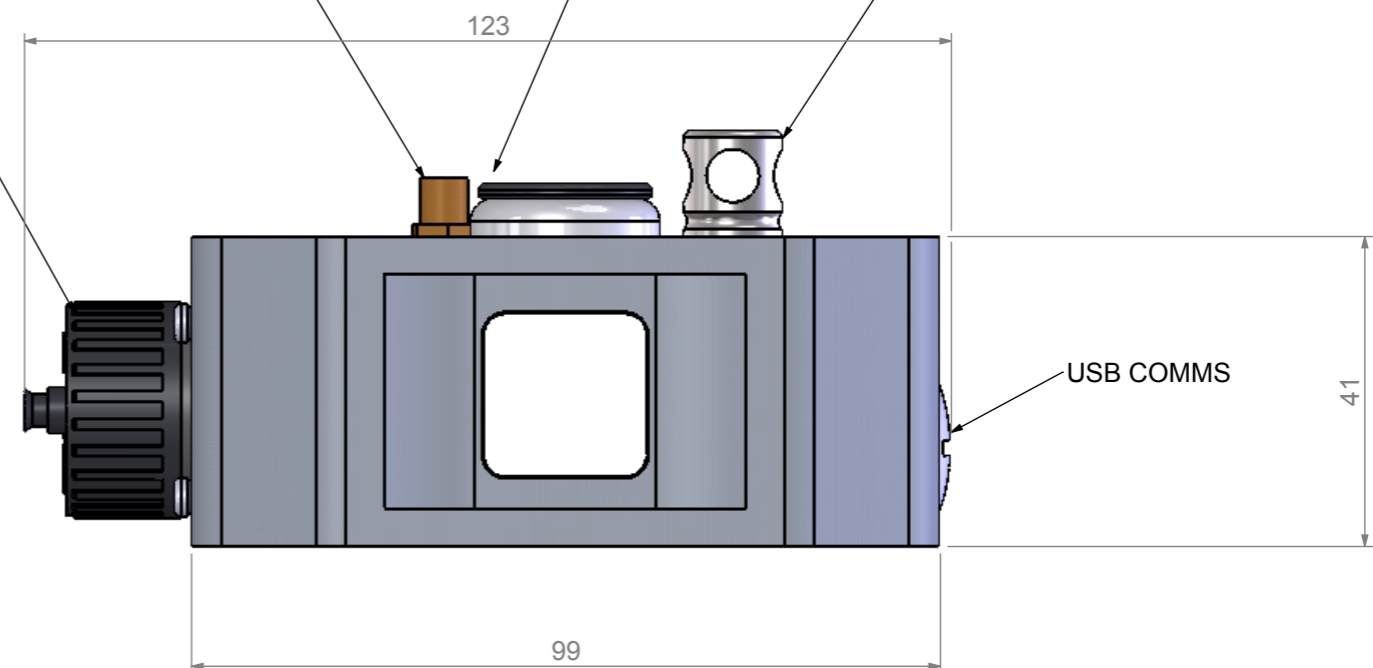
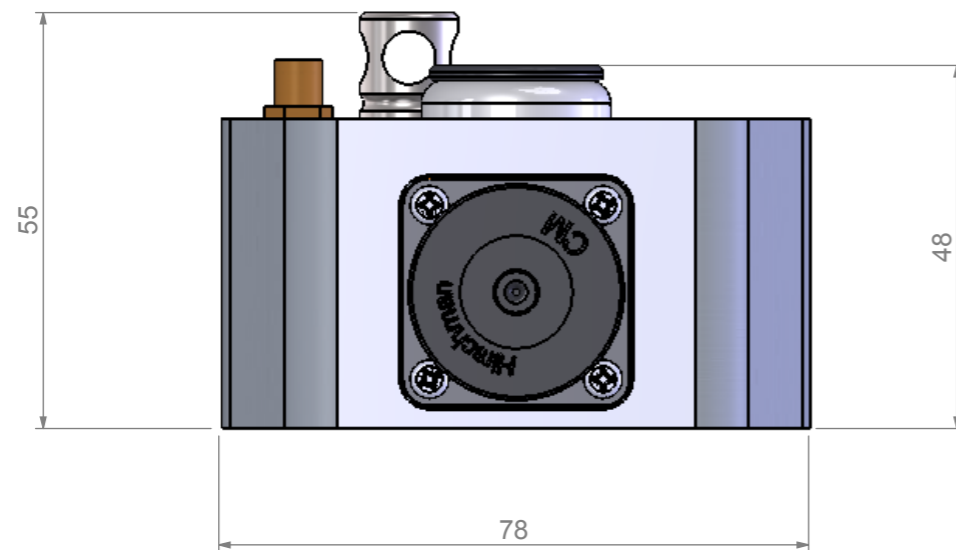


OPTIONAL SMA CONNECTOR FOR WIRELESS COMMS (AERIAL NOT SHOWN)

IBUTTON INTERFACE

OPTIONAL HUMIDITY SENSOR

INTERFACE CONNECTOR FOR OPTIONAL EQUIPEMENT



ALL DIMENSIONS IN MM UNLESS OTHERWISE STATED

ISSUE	1	DRAWN	PDR	TOLERANCES	MATERIAL	TITLE	DRAWING	
	ECN6216	CHECKED		HOLE SIZES ± 0.1	SPEC'N	GA (298 SHOCKLOG)	PD4449	
DATE	29/1/09	MASTER DRAWING SIZE	SCALE	HOLE CENTRES ± 0.1	FINISH		SHT 1 OF 1	
		A3	1:1	ELSEWHERE ± 2 UNLESS OTHERWISE STATED				