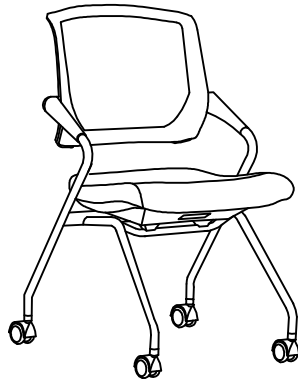


# ASSEMBLY INSTRUCTIONS

## VALORE' TRAINING SERIES MID-BACK CHAIR

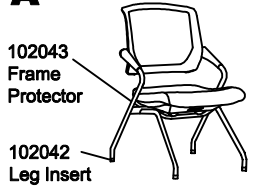


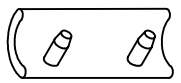
### MODEL NO. TSM2

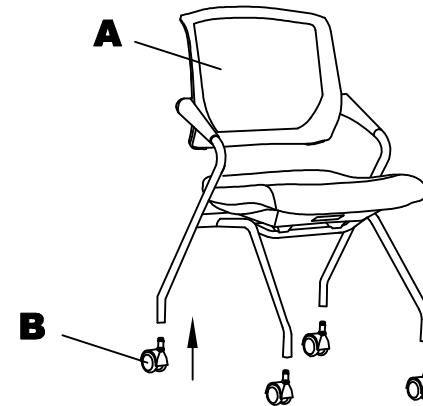


### PARTS LIST TSM2

When ordering components, specific color and/or size information may be required.  
Contact a Mayline Customer Service Representative. 1-800-822-8037

\* Individual Items, Order by part number.  
\*\* Denotes Color Code

Reference Letter	Quantity	Replacement Parts not included in assembly	
<p><b>A</b></p>  <p>102043 Frame Protector</p> <p>102042 Leg Insert</p>	<b>1</b>	<p>102042 *</p>  <p>Leg Insert</p>	<b>4</b>
<p><b>B *</b></p>  <p>Part Number 102041 Caster (each)</p>	<b>4</b>	<p>102043 *</p>  <p>Frame protector</p>	<b>2</b>



1. Place Chair (A) upside down and push Casters (B) firmly into legs of chair



#### NESTING OPERATION

1. Lift seat and insert front legs into rear legs.



Mayline Company, LLC  
619 N. Commerce, P.O. Box 728  
Sheboygan, WI 53082-0728  
Toll Free: 1-800-822-8037  
FAX: 920-457-7388  
On Line: [www.mayline.com](http://www.mayline.com)