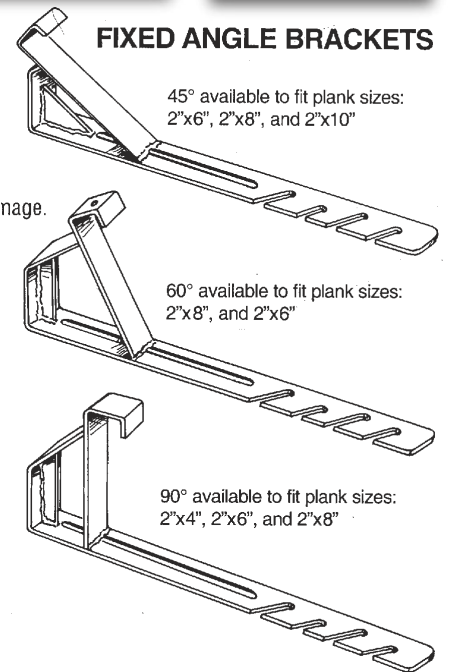




**PRO-LINE FIXED Roofing Brackets**

Durable all steel welded construction with sizes to fit specific, common roof surfaces. Can be easily installed and removed without damaging shingles. The capacity for scaffolding support models is one worker per 8 foot staging plus 40lbs., with a maximum of 8 feet between brackets.

**Powder Coated • Reinforced, Welded Gusset • Rounded Corners eliminate shingle damage**



**For use on FIXED PITCH ROOFS 21/12 PITCH**

	Model #3503	8" x 60°
Material Support Only	Model #3506	6" x 60°

**For use on FIXED PITCH ROOFS 12/12 PITCH**

	Model #3501	10" x 45°
	Model #3504	8" x 45°
Material Support Only	Model #3507	6" x 45°

**USE ONLY AS A SLIDE GUARD OR MATERIAL SUPPORT**

	Model #3505	6" x 90°
	Model #3502	8" x 90°

**FOR USE AS MATERIAL SUPPORT ONLY**

	Model #3508	4" x 90°
--	-------------	----------

**Product Specifications**

Model #	3501	3502	3503	3504	3505	3506	3507	3508
Description:	10" x 45 Degree Welded w/Gusset	8" x 90 Degree Welded w/Gusset	8" x 60 Degree Welded w/Gusset	8" x 45 Degree Welded w/Gusset	6" x 90 Degree Welded w/Gusset	6" x 60 Degree Welded w/Gusset	6" x 45 Degree Welded w/Gusset	4" x 90 Welded
Unit Pack:	12 / Carton	12 / Carton	12 / Carton	12 / Carton	12 / Carton	12 / Carton	12 / Carton	12 / Carton
Weight p/Pack:	43 lbs	40 lbs	39 lbs	37 lbs	33 lbs	31 lbs	33 lbs	26 lbs
Cu. Ft. p/Pack:	1.07 cu. ft.	.69 cu. ft.	.92 cu. ft.	.74 cu. ft.	.50 cu. ft.	.57 cu. ft.	.57 cu. ft.	.35 cu. ft.



© Copyright 2003 • Qual-Craft® Industries • 1551 Central Street  
PO Box 559 • Stoughton, MA 02072



Customer Support and Ordering Information

781-344-1000 • www.qualcraft.com

# ROOFING PRODUCTS

## PROFESSIONAL DUTY • FIXED PITCH ROOFING BRACKETS



45°



60°



90°

**INSTRUCTIONS FOR INSTALLATION AND USE OF THE MODEL #2501 & #3501 10"x 45 DEGREE, MODEL #3504 8" x 45 DEGREE PITCH ROOFING BRACKET (FOR USE ON 12/12 PITCH ROOFS): CAPACITY:** One worker per 8 feet of scaffolding plus 40 pounds of materials. **GENERAL REQUIREMENTS:** When installed, the platform support arm must be set to match the pitch of the roof, allowing for the installation of a fully decked and level walk surface. **MOUNTING THE ROOF BRACKET:** 1) All brackets shall be attached to the roof with 20-penny nails. Use all slots on mounting plate. 2) Position bracket so that all nails penetrate both the roof's surface and the rafter below. 3) Spacing between brackets shall not exceed 8 feet. **INSTALLING PLATFORM:** 1) wood platforms shall not be less than 2 inches nominal thickness and shall extend beyond the support arm not less than 6 inches and not more than 12 inches. 2) Always use clear, straight-grained wood free from knots or defects. 3) If extended length platforms are required, use additional Roof Brackets every 8 feet. 4) Secure to bracket by nailing the platform to the bracket using the hole provided in the platform retainer. **INSTRUCTIONS FOR USE:** 1) No more than one person shall occupy any given 8 feet of a Roofing Bracket Scaffold. 2) Always use OSHA compliant fall arrest system, guardrails, catch platforms or other safety equipment as required by Local, State or Federal OSHA Regulations. 3) Roof Brackets are intended for use by the experienced tradesman. 4) OSHA Regulations require that employers provide training in the use and care of this product. **CARE AND MAINTENANCE:** 1) Inspect all Roofing Brackets before each use to be sure that there is no damage or deformation, or deterioration from rusting. Discard if necessary. 2) Do not throw or drop from a building or onto a truck. 3) Do not use if exposed to extreme heat or cold. Discard at once. 4) Do not use if wet or frozen.

**INSTRUCTIONS FOR INSTALLATION AND USE OF THE MODEL #3503 8"x 60 DEGREE FIXED PITCH ROOFING BRACKET (FOR USE ON 21/12 PITCH ROOFS): CAPACITY:** One worker per 8 feet of scaffolding plus 40 pounds of materials. **GENERAL REQUIREMENTS:** When installed, the platform support arm must be set to match the pitch of the roof, allowing for the installation of a fully decked and level walk surface. **MOUNTING THE ROOF BRACKET:** 1) All brackets shall be attached to the roof with 20-penny nails. Use all slots on mounting plate. 2) Position bracket so that all nails penetrate both the roof's surface and the rafter below. 3) Spacing between brackets shall not exceed 8 feet. **INSTALLING PLATFORM:** 1) wood platforms shall not be less than 2 inches nominal thickness and shall extend beyond the support arm not less than 6 inches and not more than 12 inches. 2) Always use clear, straight-grained wood free from knots or defects. 3) If extended length platforms are required, use additional Roof Brackets every 8 feet. 4) Secure to bracket by nailing the platform to the bracket using the hole provided in the platform retainer. **INSTRUCTIONS FOR USE:** 1) No more than one person shall occupy any given 8 feet of a Roofing Bracket Scaffold. 2) Always use OSHA compliant fall arrest system, guardrails, catch platforms or other safety equipment as required by Local, State or Federal OSHA Regulations. 3) Roof Brackets are intended for use by the experienced tradesman. 4) OSHA Regulations require that employers provide training in the use and care of this product. **CARE AND MAINTENANCE:** 1) Inspect all Roofing Brackets before each use to be sure that there is no damage or deformation, or deterioration from rusting. Discard if necessary. 2) Do not throw or drop from a building or onto a truck. 3) Do not use if exposed to extreme heat or cold. Discard at once. 4) Do not use if wet or frozen.

**INSTRUCTIONS FOR INSTALLATION AND USE OF THE MODEL #2502 & #3505 6" X 90 DEGREE & #3502 8"x 90 DEGREE FIXED PITCH ROOFING BRACKET (For use only as a slide guard or a material support): CAPACITY:** 250 pounds of materials. **GENERAL REQUIREMENTS:** On roofs with a 4/12 to 6/12 roof pitch, when installed as a slide guard, the scaffold brackets should provide a platform that is 90 degrees to the roof's surface at a point along the eave of the roof. For roof slopes greater than 6/12 up to 8/12 additional 90-degree slide guards must be installed parallel to the first row no further than every eight feet of roof slope. Additional fall protection methods are required on slopes 8/12 or greater. When slope is greater than 4/12 and the ground to eave height is greater than 25 feet slide guards should not be used. **MOUNTING THE ROOF BRACKET:** 1) All brackets shall be attached to the roof with 20-penny nails. Use all slots on mounting plate. 2) Position bracket so that all nails penetrate both the roof's surface and the rafter below. 3) Spacing between brackets shall not exceed 8 feet. **INSTALLING PLATFORM:** 1) wood platforms shall not be less than 2 inches nominal thickness and shall extend beyond the support arm not less than 6 inches and not more than 12 inches. 2) Always use clear, straight-grained wood free from knots or defects. 3) If extended length platforms are required, use additional Roof Brackets every 8 feet. 4) Secure to bracket by nailing the platform to the bracket using the hole provided in the platform retainer. **INSTRUCTIONS FOR USE:** 1) No more than one person shall occupy any given 8 feet of a Roofing Bracket Scaffold. 2) Always use OSHA compliant fall arrest system, guardrails, catch platforms or other safety equipment as required by Local, State or Federal OSHA Regulations. 3) Roof Brackets are intended for use by the experienced tradesman. 4) OSHA Regulations require that employers provide training in the use and care of this product. **CARE AND MAINTENANCE:** 1) Inspect all Roofing Brackets before each use to be sure that there is no damage or deformation, or deterioration from rusting. Discard if necessary. 2) Do not throw or drop from a building or onto a truck. 3) Do not use if exposed to extreme heat or cold. Discard at once. 4) Do not use if wet or frozen.

**AND MAINTENANCE:** 1) Inspect all Roofing Brackets before each use to be sure that there is no damage or deformation, or deterioration from rusting. Discard if necessary. 2) Do not throw or drop from a building or onto a truck. 3) Do not use if exposed to extreme heat or cold. Discard at once. 4) Do not use if wet or frozen.

**INSTRUCTIONS FOR INSTALLATION AND USE OF THE MODEL #2503 & #3506 6"x 60 DEGREE, #2504 & #3507 6"x 45 DEGREE, #2505 & #3508 4"x 90 DEGREE FIXED PITCH ROOFING BRACKET (For use only as a material support): CAPACITY:** 250 pounds of roofing materials. **MOUNTING THE ROOF BRACKET:** 1) All brackets shall be attached to the roof with 20-penny nails. Use all slots on mounting plate. 2) Position bracket so that all nails penetrate both the roof's surface and the rafter below. 3) Spacing between brackets shall not exceed 8 feet. **INSTALLING PLATFORM:** 1) wood platforms shall not be less than 2 inches nominal thickness and shall extend beyond the support arm not less than 6 inches and not more than 12 inches. 2) Always use clear, straight-grained wood free from knots or defects. 3) If extended length platforms are required, use additional Roof Brackets every 8 feet. 4) Secure to bracket by nailing the platform to the bracket using the hole provided in the platform retainer. **INSTRUCTIONS FOR USE:** 1) Material supports are not intended for use as a scaffold or work platform. 2) Always use OSHA compliant fall arrest system, guardrails, catch platforms or other safety equipment as required by Local, State or Federal OSHA Regulations. 3) Roof Brackets are intended for use by the experienced tradesman. 4) OSHA Regulations require that employers provide training in the use and care of this product. **CARE AND MAINTENANCE:** 1) Inspect all Roofing Brackets before each use to be sure that there is no damage or deformation, or deterioration from rusting. Discard if necessary. 2) Do not throw or drop from a building or onto a truck. 3) Do not use if exposed to extreme heat or cold. Discard at once. 4) Do not use if wet or frozen.



© Copyright 2003 • Qual-Craft® Industries • 1551 Central Street  
PO Box 559 • Stoughton, MA 02072



Customer Support and Ordering Information

781-344-1000 • www.qualcraft.com