

**Adjustable Steel
Roof Brackets**

Heavy Duty Model #2500
PRO-line Model #3500

Durable heavy duty steel construction. Designed to hold a 10" platform. Easy installation and removal without damaging shingles. Adjustable three or four position platform, dependent on model line. Additional safety features include a platform retainer and unique locking mechanism Capacity: 1 worker per 8' staging plus 40 lbs. Maximum 8' spacing between brackets.

Easy to set up, operate, reposition and take down without damage to shingles. Folds flat for compact storage.

For use on VARIABLE PITCH ROOFS AND PROJECTS

HEAVY DUTY - Model #2500 10" x [30°, 45°, or 60°]

PRO-LINE - Model #3500 10" x [30°, 45°, 60°, or 90°]



Model #2500

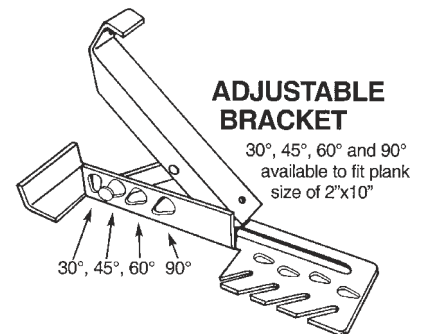


Model #3500

Product Specifications

Model #	2500	3500
Description:	10" Adjustable	10" Adjustable Welded w/Gusset
Unit Pack:	10 / Carton	12 / Carton
Weight per Pack:	24 Pounds / Carton	45 Pounds
Cu. Ft. per Pack:	.52 cu. ft.	1.28 cu. ft.

WARNING
Failure to read and follow instructions on the use of this product could result in serious personal injury. This product must be used in strict compliance with Local, State & Federal OSHA Regulations. Be safety conscious.

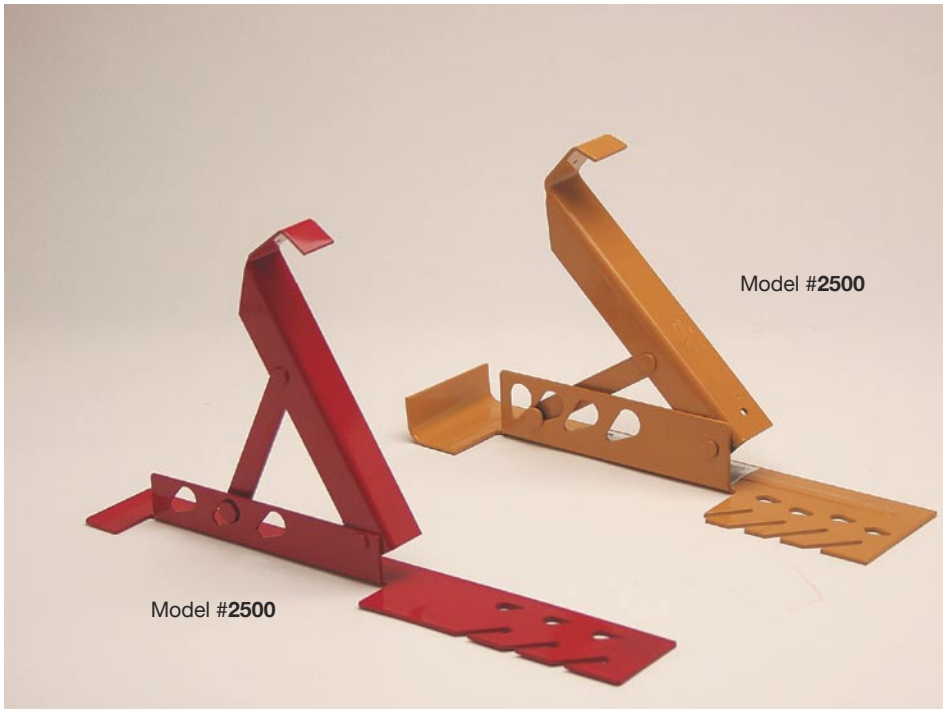


© Copyright 2003 • Qual-Craft® Industries • 1551 Central Street
PO Box 559 • Stoughton, MA 02072



Customer Support and Ordering Information

781-344-1000 • www.qualcraft.com



INSTRUCTIONS FOR INSTALLATION AND USE OF THE MODEL #2500 & #3500 10" ADJUSTABLE ROOFING BRACKET: CAPACITY: One worker per 8 feet of scaffolding plus 40 pounds of materials. GENERAL REQUIREMENTS: When installed, the platform support arm must be set to match the pitch of the roof, allowing for the installation of a fully decked and level walk surface. MOUNTING THE ROOF BRACKET: 1) All brackets shall be attached to the roof with 20-penny nails. Use all teardrop holes on left or all slots on right side of mounting plate as desired. 2) Position bracket so that all nails penetrate both the roof's surface and the rafter below. 3) Spacing between brackets shall not exceed 8 feet. INSTALLING PLATFORM: 1) wood platforms shall not be less than 2 inches nominal thickness and shall extend beyond the support arm not less than 6 inches and not more than 12 inches. 2) Always use clear, straight-grained wood free from knots or defects. 3) If extended length platforms are required, use additional Roof Brackets every 8 feet. 4) Secure to bracket by nailing the platform to the bracket using the hole provided in the platform retainer. INSTRUCTIONS FOR USE: 1) No more than one person shall occupy any given 8 feet of a Roofing Bracket Scaffold. 2) Always use OSHA compliant fall arrest system, guardrails, catch platforms or other safety equipment as required by Local, State or Federal OSHA Regulations. 3) Roof Brackets are intended for use by the experienced tradesman. 4) OSHA Regulations require that employers provide training in the use and care of this product. CARE AND MAINTENANCE: 1) Inspect all Roofing Brackets before each use to be sure that there is no damage or deformation, or deterioration from rusting. Discard if necessary. 2) Do not throw or drop from a building or onto a truck. 3) Do not use if exposed to extreme heat or cold. Discard at once. 4) Do not use if wet or frozen.