

Assembly - Step 4:



Install Padlock (not included) to Secure.



For details about product warranty, please visit www.kendallhoward.com

DISCLAIMER: Kendall Howard LLC. endeavors to make this manual accurate and complete. However, Kendall Howard LLC makes no representations or warranties of any kind, expressed or implied, about whether the use of products contained herein would infringe any rights or the correctness, accuracy or reliability of the information contained herein or that said information covers all details, conditions or variations. The information herein does not provide for every possible contingency in connection with the installation or use of the product(s). The information contained in this document is subject to change without notice or obligation. Kendall Howard LLC assumes no responsibility for the accuracy, completeness or reliability of the information contained in this document. Any reliance placed on the information is therefore strictly at your own risk.

Instructions / Directions

Wall Mount Thin Client # WMTC



www.kendallhoward.com

KENDALL HOWARD  TM
INNOVATORS IN PRODUCT DESIGN

Address: 10152 Liberty Lane
Chisago City, Minnesota, 55013
United States of America

Phone: 651-213-1333
Fax: 800-418-6897

Tools Needed:



Screw Driver

Included:



(1x) Wall Mount Base



(1x) Monitor Mount

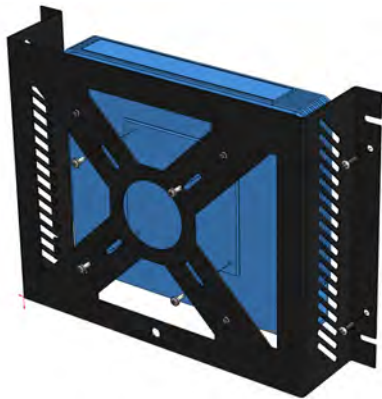


(4x) M4 x 8 Screw



(4x) M4 x 12 Screw

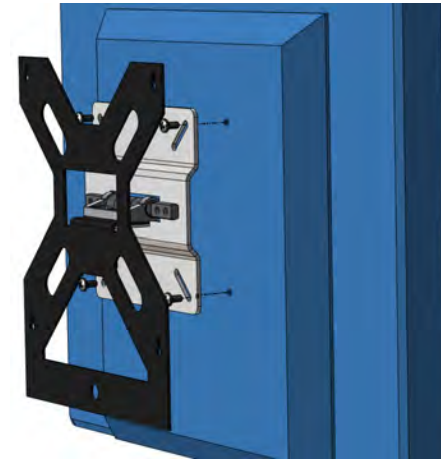
Assembly - Step 1:



Fasten Thin Client to Back of Wall Mount Base using Screws Provided. Mount Base to Wall using Appropriate Hardware (not included). Fasten to Secure Surface, such as Wall Studs or use Wall Anchors.

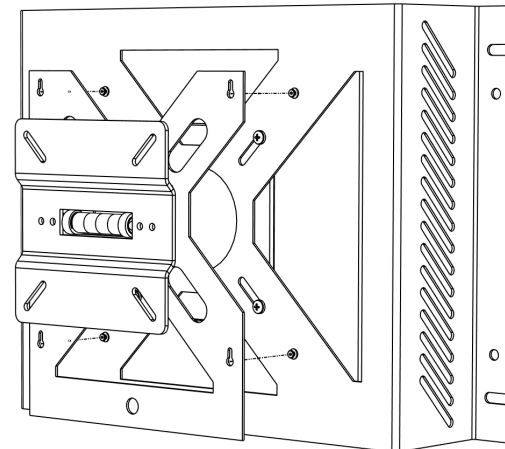
2

Assembly - Step 2:



Fasten Monitor to Monitor Mount using Monitor Manufacturer's Screw Specifications.

Assembly - Step 3:



Attach Monitor Mount to Wall Mount Base. Align Keyholes with Fastening Pins. Slide Monitor Mount Down to Secure.

3