

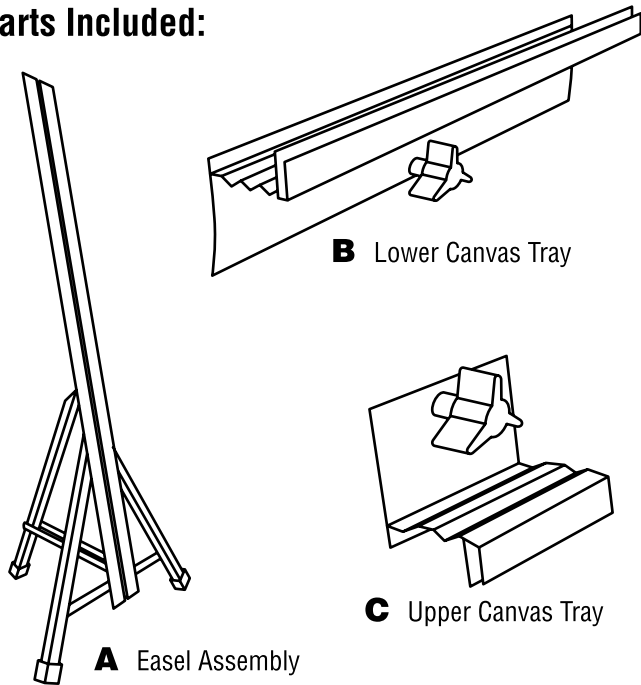


Cressida Tabletop Easel

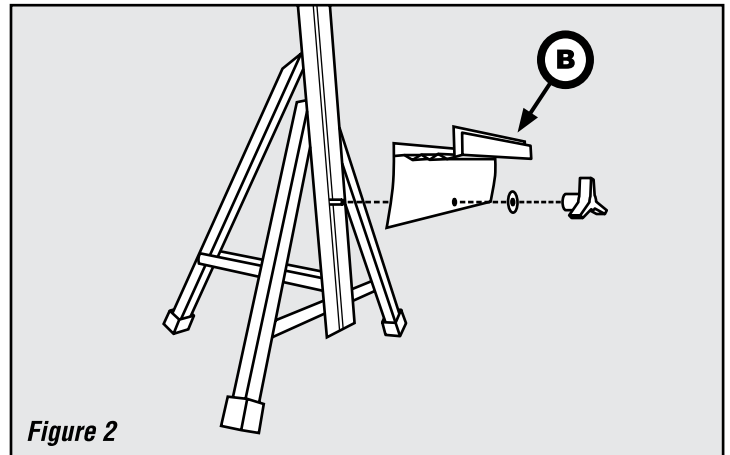
Assembly Instructions

For model
HAE570

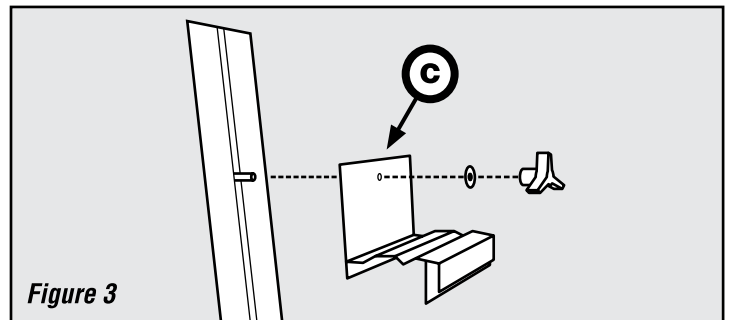
Parts Included:



Loosen plastic knob on Lower Canvas Tray (**B**) and slide rectangular clip into track in face of easel. Adjust to desired height and tighten plastic knob as shown in **Figure 2**.



Loosen plastic knob on Upper Canvas Tray (**C**) and slide rectangular clip into track in face of easel. Adjust to desired height and tighten plastic knob as shown in **Figure 3**.



To Assemble:

Fold legs of Easel Assembly (**A**) toward the bottom of the easel. Loosen the plastic knob on the center of the crossbeam. Rotate crossbeam and slide rectangular clip into track as shown in **Figure 1**. Attach the loose end of the crossbeam to easel leg using plastic knob and washer.

