

# GUARDIAN

## FALL PROTECTION



## Product Name: Diablo Cable SRL-LE

Part #: 11070; 11071; 11072; 11073; 11074; 11075; 11076; 11077; 11099; 42010; 42012; 99-05-0032

## Instruction Manual

**Do not throw away these instructions!**  
**Read and understand these instructions before using equipment!**

---

Introduction . . . . .	1
Applicable Safety Standards . . . . .	1
Worker Classifications . . . . .	1
Product Specific Applications . . . . .	2
Limitations . . . . .	2 - 3
Components and Specifications . . . . .	3 - 4
Installation and Use . . . . .	4 - 7
Maintenance, Cleaning, and Storage . . . . .	7
Inspection . . . . .	8
Inspection Log . . . . .	8
Safety Information . . . . .	9
Labels . . . . .	10 - 11

## Introduction

Thank you for purchasing a Guardian Fall Protection Diablo Cable SRL-LE. This manual must be read and understood in its entirety, and used as part of an employee training program as required by OSHA or any applicable state agency.

This and any other included instructions must be made available to the user of the equipment. The user must understand how to safely and effectively use the Diablo Cable SRL-LE, and all fall safety equipment used in combination with the Diablo Cable SRL-LE.

User Information	
Date of First Use:	_____
Serial #:	_____
Trainer:	_____
User:	_____

## Applicable Safety Standards

When used according to instruction specifications, this product meets or exceeds all applicable OSHA 1926 Subpart M, OSHA 1910, ANSI Z359.14-2014, ANSI A10.32-2012, and standards for fall protection. Applicable standards and regulations depend on the type of work being done, and also might include state-specific regulations. Consult regulatory agencies for more information on fall protection systems and associated components.

## Worker Classifications



Understand the following definitions of those who work near or who may be exposed to fall hazards.

**Qualified Person:** A person with an accredited degree or certification, and with extensive experience or sufficient professional standing, who is considered proficient in planning and reviewing the conformity of fall protection and rescue systems.

**Competent Person:** A highly trained and experienced person who is ASSIGNED BY THE EMPLOYER to be responsible for all elements of a fall safety program, including, but not limited to, its regulation, management, and application. A person who is proficient in identifying existing and predictable fall hazards, and who has the authority to stop work in order to eliminate hazards.

**Authorized Person:** A person who is assigned by their employer to work around or be subject to potential or existing fall hazards.

**It is the responsibility of a Qualified or Competent person to supervise the job site and ensure all applicable safety regulations are complied with.**

## Product Specific Applications



**WARNING** Use of equipment in unintended applications may result in serious injury or death. Maximum 1 attachment per connection point.



**Personal Fall Arrest:** Diablo Cable SRL-LEs may be used in Personal Fall Arrest applications as a component of a MAXIMUM 1 Personal Fall Arrest System (PFAS). Structure must withstand loads applied in the directions permitted by the system of at least 5,000 lbs. Applicable D-ring: Dorsal.

- Free fall, LE Use: Maximum 5'. Please note that free fall in excess of 2' is not in compliance with ANSI A10.32-12 fall protection regulations, but is still fully compliant with all applicable ANSI Z359.14-14, OSHA 1926 Subpart M, and OSHA 1910 regulations.

- Free fall, non-LE Use: Maximum 2'.



**Restraint:** Diablo Cable SRL-LE may be used in Restraint applications. Restraint systems prevent workers from reaching the leading edge of a fall hazard. Always account for fully deployed length of lanyard/SRL. Structure must withstand loads applied in the directions permitted by the system of at least 1,000 lbs. No free fall is permitted. Restraint systems may only be used on surfaces with slopes up to 4/12 (vertical/horizontal). Applicable D-rings: Dorsal, Chest, Side, Shoulder.

**For all applications, worker weight capacity range (including all clothing, tools, and equipment):**

**LE Use: 130-310 lbs.**  
**Non-LE Use: 130-420 lbs.**

## Limitations

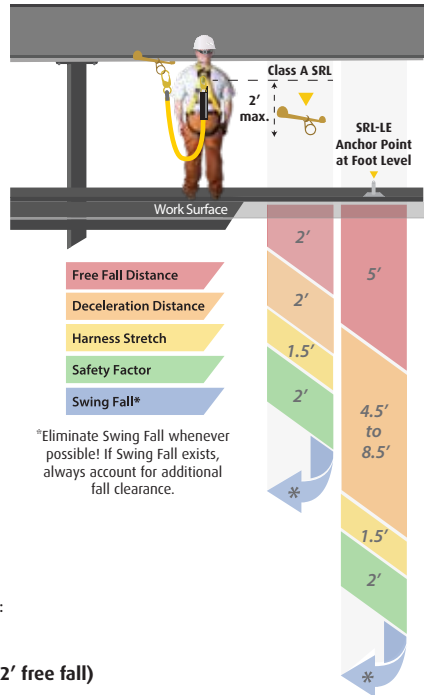
**Fall Clearance:** There must be sufficient clearance below the anchorage connector to arrest a fall before the user strikes the ground or an obstruction. When calculating fall clearance, account for a MINIMUM 2' safety factor, deceleration distance, user height, length of lanyard/SRL, harness stretch, and all other applicable factors.

**Diagram shown is an example fall clearance calculation ONLY.**

**Swing Falls:** Prior to installation or use, make considerations for eliminating or minimizing all swing fall hazards. Swing falls occur when the anchor is not directly above the location where a fall occurs. Always work as close to in line with the anchor point as possible. Swing falls significantly increase the likelihood of serious injury or death in the event of a fall.

Diablo Cable SRL-LE recommended fall clearance (Does not factor in any potential swing fall hazards. Clearance numbers specified based on lifeline installed vertically overhead and in-line with worker.):

- **LE Use: 13'-17'**
- **Non-LE Use: 5½' (no free fall) to 7½' (maximum 2' free fall)**



**Compatibility:** When making connections with Diablo Cable SRL-LE, eliminate all possibility of roll-out. Roll-out occurs when interference between a hook and the attachment point causes the hook gate to unintentionally open and release. All connections must be selected and deemed compatible with Diablo Cable SRL-LE by a Competent Person. All connector gates must be self-closing and self-locking, and withstand minimum loads of 3,600 lbs. See the following for examples of compatible/incompatible connections:

Connector closed and locked to D-ring. **OK.**



Connector to integral lanyard. **NO.**

Two connectors to same D-ring. **NO.**



Connector directly to webbing. **NO.**

Incompatible or irregular application, which may increase risk of roll-out. **NO.**



Connector directly to horizontal lifeline. **NO.**

Two or more snap hooks or carabiners connected to each other. **NO.**



## Components and Specifications

Materials: aluminum, galvanized steel, stainless steel, zinc-plated steel, high-strength ABS, and polyester.

Average arresting force: 1,350 lbs.

### LE Use:

Min. setback distance from edge: 0'  
Max. arresting distance: 54" - 102"  
Min. fall clearance: 13'-17'

### Non-LE Use:

Max. arresting distance: 24"  
Min. fall clearance: 5½'  
Class A SRL

Single Unit:  
11070  
11071  
11072  
11073



Double Unit:  
11074  
11075  
11076  
11077  
11099

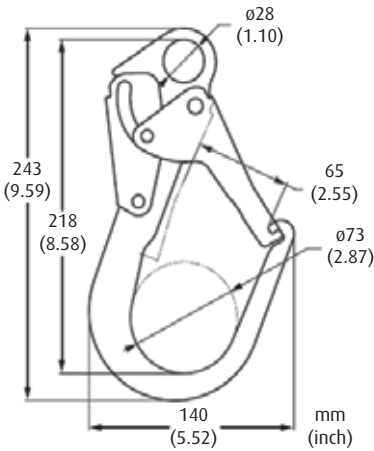


33' Unit:  
42012

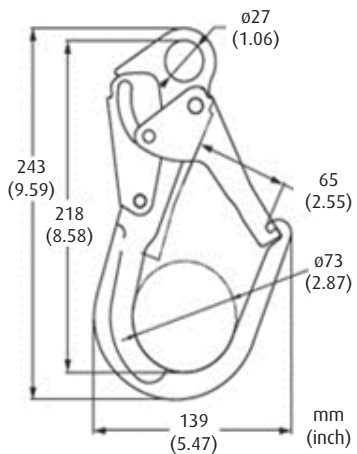


Part #	Length	Description
11070	8'	3/16" Galvanized Cable SRL w/Carabiner, Swivel Top, Shock Pack, & Steel Snap Hook
11071	8'	3/16" Galvanized Cable SRL w/Carabiner, Swivel Top, Shock Pack, & Aluminum Snap Hook
11072	8'	3/16" Galvanized Cable SRL w/Carabiner, Swivel Top, Shock Pack, & Steel Rebar Hook
11073	8'	3/16" Galvanized Cable SRL w/Carabiner, Swivel Top, Shock Pack, & Aluminum Rebar Hook
11074	8'	Kit of (2) 11070 Cable Diablo Cable SRL-LEs w/Steel Snap Hooks. Includes (1) SRL Connector Bracket & (1) Carabiner.
11075	8'	Kit of (2) 11071 Cable Diablo Cable SRL-LEs w/Aluminum Snap Hooks. Includes (1) SRL Connector Bracket & (1) Carabiner.
11076	8'	Kit of (2) 11072 Cable Diablo Cable SRL-LEs w/Steel Rebar Hooks*. Includes (1) SRL Connector Bracket & (1) Carabiner.
11077	8'	Kit of (2) 11073 Cable Diablo Cable SRL-LEs w/Aluminum Rebar Hooks. Includes (1) SRL Connector Bracket & (1) Carabiner.
11099	8'	Kit of (2) 11072 Cable Diablo Cable SRL-LEs w/Steel N-3630T Rebar Hooks*. Includes (1) SRL Connector Bracket & (1) Carabiner.
42010	33'	3/16" Galvanized Cable SRL w/Carabiner, Swivel Top, Shock Pack, & Steel Snap Hook
42012	33'	3/16" Nylon Coated Galvanized Cable SRL w/Carabiner, Swivel Top, Shock Pack, & Steel Snap Hook
99-05-0032	8'	Kit of (2) 11070 Cable Diablo Cable SRL-LEs w/Aluminum Carabiners. Includes (1) SRL Connector Bracket & (1) Carabiner.

\*11076 and 11099 rebar hook dimensions:



#11076



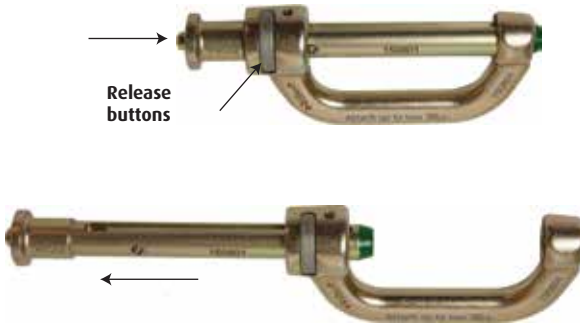
#11099

## Installation and Use

1. All PFAS components must be selected and deemed compatible with Diablo Cable SRL-LE by Competent Person.
2. Ensure structure to which Diablo Cable SRL-LE is to be attached, and on which work is to be performed, is free of all hazards, including, but not limited to, debris, rot, rust, sharp or abrasive edges and surfaces, and hazardous materials.
3. Eliminate or minimize all risk of swing fall hazard.
4. Ensure 100% tie-off will be maintained at all times, which may require the use of a back-up or supplementary fall protection system.
5. Always minimize lifeline contact with sharp or abrasive edges and surfaces.
6. For Diablo Cable SRL-LE part #s 42010 and 42012, attach SRL snap hook to harness dorsal D-ring, and SRL housing to compatible anchorage connector via provided carabiner. For part #s 11070 - 11077 and 11099, attach hook to compatible anchor point, and install to harness per the following instructions.

### To install Diablo Cable SRL-LE to harness (for part #s 11070 - 11077 and 11099 only):

1. Compress and hold both release buttons on SRL Bracket and slide pin to open position. Do not attempt to open or otherwise modify bracket that is connected to Diablo Cable SRL-LE.



2. At web loop immediately beneath harness dorsal D-ring, slide SRL Bracket pin through loop and lock closed. It may be necessary to slightly loosen web loop to accommodate pin. Always re-tighten web loop after install.

**Depending on SRL Bracket design, either ensure green indicator IS fully visible, or that red indicator IS NOT visible.**

Note: With Diablo Cable SRL-LE attached to harness as shown, it is permitted to connect a separate connecting device to the harness dorsal D-ring. However, never work with more than one connecting device attached to an anchorage connector at any time.



SRL Bracket installed at web loop.



- Secure Diablo SRL-LE back pad around harness shoulder straps with provided hook and loop fastener straps as shown.



Diablo SRL-LE back pad hook and loop fastener straps secured around harness shoulder straps.

#### Additional installation/use notes:

- It is not possible to transform a single unit Diablo Cable SRL-LE into a double unit, nor possible to transform a double unit into a single unit. Never attempt to modify equipment at any time.
- When Diablo Cable SRL-LE is not in use, always secure hook to harness lanyard keeper. For double units, always keep unused leg of SRL secured to harness lanyard keeper except when transitioning between anchor points.

**SRL-LE Additional Use Instructions:**

**⚠ WARNING** ALWAYS adhere to the following warnings and specifications when using SRL-LEs.

Diablo Cable SRL-LEs are tested and certified for horizontal use over a steel edge without burrs. Diablo Cable SRL-LEs may be used over similar surfaces, such as metal sheeting or other steel formations.

The allowable angle of redirection of the lifeline portion of Diablo Cable SRL-LEs at the leading edge of a fall hazard MUST be at least 90° (see Image 1).

Anchor point MUST be situated no lower than the leading edge of applicable fall hazard(s).

Prior to use, a Competent Person MUST calculate adequate fall clearance (see pg. 3).

ALWAYS attach to anchorage connector that will allow for required setback distance (see Image 2).

**Setback distance: As determined by product testing, Guardian Fall Protection Diablo Cable SRL-LEs are not required to be setback any specific distance from the leading edge of applicable fall hazard(s).**

Diablo Cable SRL-LE may be used in combination with horizontal lifelines. All installation, set-up, and use of horizontal lifelines must be done under the supervision of a Qualified Person.

NEVER work on the far side of an opening that is opposite the Diablo Cable SRL-LE anchorage point.

In the event of a fall over the edge, special rescue measures may be necessary. Always account for use of Diablo Cable SRL in job site rescue plan developed by job site Competent Person.

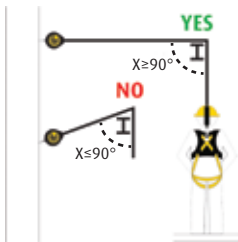


Image 1

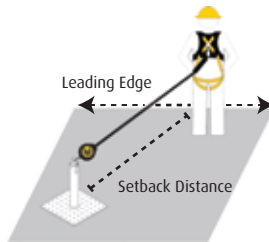


Image 2

## Maintenance, Cleaning, and Storage

If Diablo Cable SRL-LE fails inspection in any way, immediately remove it from service and contact Guardian.

Cleaning after use is important for maintaining the safety and longevity of Diablo Cable SRL-LE. Remove all dirt, corrosives, and contaminants from Diablo Cable SRL-LE before and after each use. If Diablo Cable SRL-LE cannot be cleaned with plain water, use mild soap and water, then rinse and wipe dry. NEVER clean Diablo Cable SRL-LE with corrosive substances.

When not in use, store equipment where it will not be affected by heat, light, excessive moisture, chemicals, or other degrading elements.



## Inspection

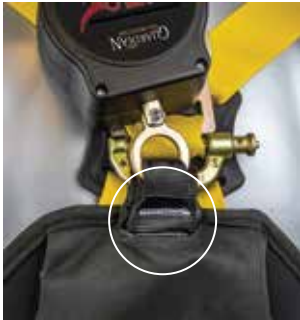
Prior to EACH use, inspect Diablo Cable SRL-LE for deficiencies, including, but not limited to, corrosion, deformation, pits, burrs, rough surfaces, sharp edges, cracking, rust, paint buildup, excessive heating, alteration, broken stitching, fraying, bird-caging, and missing or illegible labels.

Pay careful attention to cable swage (located beneath rubber stopper) and ensure no damage is present at location where swage contacts lifeline. IMMEDIATELY remove Diablo Cable SRL-LE from service if defects or damage are found, or if exposed to forces of fall arrest. Ensure fall arrest indicator (broken stitching at location shown below) is not deployed. During inspection, consider all applications and hazards Diablo Cable SRL-LE has been subjected to.

Ensure that applicable work area is free of all damage, including, but not limited to, debris, rot, rust, decay, cracking, and hazardous materials. Ensure that selected work area will support the application-specific minimum loads set forth in this instruction manual. Work area MUST be stable.

**At least every 12 months, a Competent Person other than the user must inspect Diablo Cable SRL-LE. Competent Person inspections MUST be recorded in inspection log in instruction manual and on equipment inspection grid label. The Competent Person must sign their initials in the box corresponding to the month and year the inspection took place.**

**Immediately remove from service if indicator stitching shows any signs of damage:**



Intact indicator stitching - OK to use.



Broken/damaged indicator stitching - Immediately remove from service!

## Inspection Log

Date of First Use: \_\_\_\_\_.

Product lifetime is indefinite, as long as product passes all inspection requirements. User must inspect prior to EACH use. Competent Person other than user must complete formal inspection at least every 12 months. Competent Person to inspect and initial.

This inspection log must be specific to one Diablo Cable SRL-LE. Separate inspection logs must be used for each Diablo Cable SRL-LE. All inspection records must be made visible and available to all users at all times.

	J	F	M	A	M	J	J	A	S	O	N	D
YR												
YR												
YR												
YR												

**If equipment fails inspection  
IMMEDIATELY REMOVE FROM SERVICE.**

## Safety Information



Failure to understand and comply with safety regulations may result in serious injury or death. Regulations included herein are not all-inclusive, are for reference only, and are not intended to replace a Competent Person's judgment or knowledge of federal or state standards.

Do not alter equipment. Do not misuse equipment.

Workplace conditions, including, but not limited to, flame, corrosive chemicals, electrical shock, sharp objects, machinery, abrasive substances, weather conditions, and uneven surfaces, must be assessed by a Competent Person before fall protection equipment is selected.

The analysis of the workplace must anticipate where workers will be performing their duties, the routes they will take to reach their work, and the potential and existing fall hazards they may be exposed to. Fall protection equipment must be chosen by a Competent Person. Selections must account for all potential hazardous workplace conditions. All fall protection equipment should be purchased new and in an unused condition.

Fall protection systems must be selected and installed under the supervision of a Competent Person, and used in a compliant manner. Fall protection systems must be designed in a manner compliant with all federal, state, and safety regulations. Forces applied to anchors must be calculated by a Competent Person.

Unless explicitly stated otherwise, the maximum allowable free fall distance for lanyards must not exceed 6'. No free fall allowed for non-LE SRLs. Class A SRLs must arrest falls within 24'; Class B SRLs must arrest falls within 54".

Harnesses and connectors selected must be compliant with manufacturer's instructions, and must be of compatible size and configuration. Snap hooks, carabiners, and other connectors must be selected and applied in a compatible fashion. All risk of disengagement must be eliminated. All snap hooks and carabiners must be self-locking and self-closing, and must never be connected to each other.

A pre-planned rescue procedure in the case of a fall is required. The rescue plan must be project-specific. The rescue plan must allow for employees to rescue themselves, or provide an alternative means for their prompt rescue. Store rescue equipment in an easily accessible and clearly marked area.

Training of Authorized Persons to correctly erect, disassemble, inspect, maintain, store, and use equipment must be provided by a Competent Person. Training must include the ability to recognize fall hazards, minimize the likelihood of fall hazards, and the correct use of personal fall arrest systems.

NEVER use fall protection equipment of any kind to hang, lift, support, or hoist tools or equipment, unless explicitly certified for such use.

Equipment subjected to forces of fall arrest must immediately be removed from use.

Age, fitness, and health conditions can seriously affect the worker should a fall occur. Consult a doctor if there is any reason to doubt a user's ability to withstand and safely absorb fall arrest forces or perform set-up of equipment. Pregnant women and minors must not use this equipment. Physical harm may still occur even if fall safety equipment functions correctly. Sustained post-fall suspension may result in serious injury or death. Use trauma relief straps to reduce the effects of suspension trauma.

## Labels

