

IMPORTANT:
Read Before Using

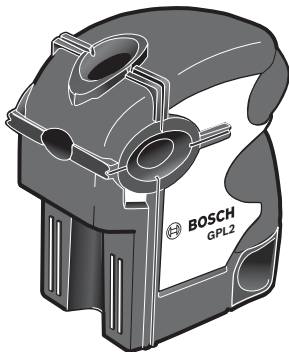
IMPORTANT :
Lire avant usage

IMPORTANTE:
Leer antes de usar



Operating/Safety Instructions
Consignes de fonctionnement/sécurité
Instrucciones de funcionamiento y seguridad

GPL2



BOSCH

**Call Toll Free for
Consumer Information
& Service Locations**

**Pour obtenir des informations
et les adresses de nos centres
de service après-vente,
appelez ce numéro gratuit**

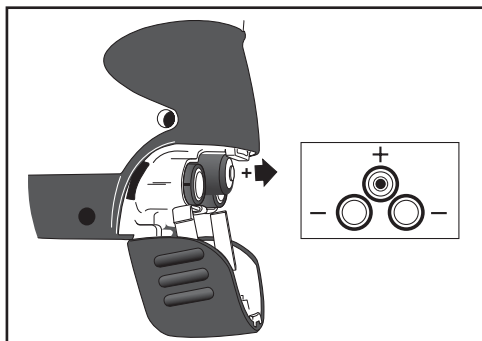
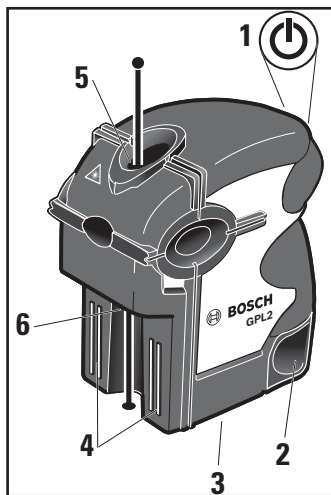
**Llame gratis para
obtener informació
para el consumidor y
ubicaciones de servicio**

1-877-BOSCH99 (1-877-267-2499) www.boschtools.com

**For English Version
See page 4**

**Version française
Voir page 10**

**Versión en español
Ver la página 17**



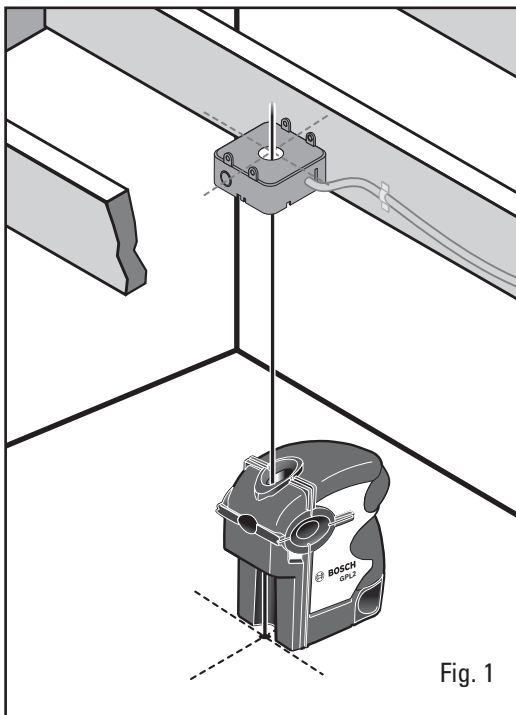


Fig. 1

General Safety Rules

⚠ WARNING Read all instructions. Failure to follow all instructions listed below may result in hazardous radiation exposure, electric shock, fire and/or serious injury. The term “tool” in all of the warnings listed below refers to your mains-operated (corded) tool or battery-operated (cordless) tool.

⚠ WARNING The following labels are on your laser tool for your convenience and safety. They indicate where the laser light is emitted by the tool. **ALWAYS BE AWARE** of their location when using the tool.



Do not direct the laser beam at persons or animals and do not stare into the laser beam yourself. This tool produces laser class 2M laser radiation and complies with 21 CFR 1040.10 and 1040.11 except for deviations pursuant to Laser Notice No. 50, dated June 24, 2007. This can lead to

persons being blinded.

Changes or modifications to this equipment not expressly approved by the party responsible for compliance could void the user's authority to operate the equipment.

CAUTION Use of controls or adjustments or performance of procedures other than those specified herein may result in hazardous radiation exposure.

DO NOT remove or deface any warning or caution labels. Removing labels increases the risk of exposure to laser radiation.

ALWAYS make sure that any bystanders in the vicinity of use are made aware of the dangers of looking directly into the laser tool.

DO NOT place the laser tool in a position that may cause anyone to stare into the laser beam intentionally or unintentionally. Serious eye injury could result.

ALWAYS position the laser tool securely. Damage to the laser tool and/or serious injury to the user could result if the laser tool fails.

ALWAYS use only the accessories that are recommended by the manufacturer of your laser tool. Use of accessories that have been designed for use with other laser tools could result in serious injury.

DO NOT use this laser tool for any purpose other than those outlined in this manual. This could result in serious injury.

DO NOT leave the laser tool “ON” unattended in any operating mode.

DO NOT disassemble the laser tool. There are no user serviceable parts inside.

DO NOT modify the product in any way. Modifying the laser tool may result in hazardous laser radiation exposure.

DO NOT use the laser viewing glasses as safety goggles. The laser viewing glasses are used for improved visualization of the laser beam, but they do not protect against laser radiation.

DO NOT use the laser viewing glasses as sun glasses or in traffic. The laser viewing glasses do not afford complete UV protection and reduce color perception.

DO NOT use any optical tools such as, but not limited to, telescopes or transits to view the laser beam. Serious eye injury could result.

DO NOT stare directly at the laser beam or project the laser beam directly into the eyes of others. Serious eye injury could result.

SAVE THESE INSTRUCTIONS

Work area safety

Keep work area clean and well lit. Cluttered or dark areas invite accidents.

DO NOT operate the laser tool around children or allow children to operate the laser tool. Serious eye injury could result.

Electrical safety



WARNING

Batteries can explode or leak, cause injury or fire. To reduce this risk, always follow all instructions and warnings on the battery label and package.

DO NOT short any battery terminals.

DO NOT charge alkaline batteries.

DO NOT mix old and new batteries.

Replace all of them at the same time with new batteries of the same brand and type.

DO NOT mix battery chemistries.

Dispose of or recycle batteries per local code.

DO NOT dispose of batteries in fire.

Keep batteries out of reach of children.

Remove batteries if the device will not be used for several months.

Personal safety

Stay alert, watch what you are doing and use common sense when operating a tool. Do not use a tool while you are tired or under the influence of drugs, alcohol or medication. A moment of inattention while operating a tool may result in serious personal injury or incorrect measurement results.

Use safety equipment. Always wear eye protection. Safety equipment such as dust mask, non-skid safety shoes, hard hat, or hearing protection used for appropriate conditions will reduce personal injuries.

Mounting Magnets



Keep the tools mounting magnets away from cardiac pacemakers.

The magnets **4** generate a field that can impair the function of cardiac pacemakers.

- **Keep the tools mounting magnets away from magnetic data medium and magnetically-sensitive equipment.** The effect of the magnets **4** can lead to irreversible data loss.

Use and care

Use the correct tool for your application. The correct tool will do the job better and safer.

Do not use the tool if the switch does not turn it on and off. Any tool that cannot be controlled with the switch is dangerous and must be repaired.

Store idle tool out of the reach of children and do not allow persons unfamiliar with the tool or these instructions to operate the tool. Tools are dangerous in the hands of untrained users.

Maintain tools. Check for misalignment or binding of moving parts, breakage of parts and any other condition that may affect the operation. If damaged, tool repaired before use. Many accidents are caused by poorly maintained tools.

Use the tool, accessories, etc., in

accordance with these instructions and in the manner intended for the particular type of tool, taking into account the working conditions and the work to be performed. Use of the tool for operations different from those intended could result in a hazardous situation.

Service

Have your tool serviced by a qualified repair person using only identical replacement parts. This will ensure that the safety of the tool is maintained.

Develop a periodic maintenance schedule for tool. When cleaning a tool be careful not to disassemble any portion of the tool since internal wires may be misplaced or pinched or may be improperly mounted. Certain cleaning agents such as gasoline, carbon tetrachloride, ammonia, etc. may damage plastic parts.

SAVE THESE INSTRUCTIONS.

Intended Use

The tool is intended for the accurate transfer of a plumb point from ceiling to floor.

Preparation

Inserting/Replacing the Battery

Use only alkaline batteries.

Open the battery cover **2** by pulling the battery door towards back of tool. When inserting, pay attention to the correct polarity according to the representation on the inside of the battery compartment.

Always use batteries with the same power rating and from the same manufacturer.

For the proper disposal of the used batteries, see the section “Environmental Protection”.

- **Remove the batteries from the tool when not using it for extended periods.** When storing for extended periods, the batteries can corrode and discharge themselves.

Low Battery Indicator

Laser blinks 8 times between 8 second intervals.

Features

The numbering of the product features shown refers to the illustration of the tool on the graphic page 2.

1 On/Off switch

- 2 Battery compartment
- 3 Tripod mount 1/4-20
- 4 Magnets
- 5 Outlet for vertical laser dot
- 6 Outlet for down plumb dot

Technical Data

Working range

(typical) Up to 100ft (30m)

Accuracy

Vertical (up) $\pm 1/8$ in. at 50ft
(± 3 mm. at 15m)

Plumb Down $\pm 1/4$ in. at 10ft
(± 6 mm. at 3m)

Self-Leveling Range $\pm 5^\circ$

Operating

temperature. $32^\circ\text{F} \sim 104^\circ\text{F}$
($0^\circ\text{C} \sim +40^\circ\text{C}$)

Laser Class 2M

Laser Type. 650nm, $\leq 1\text{mW}$

Tripod Mount 1/4-20

Batteries. 3 x 1.5V AA

Weight 1.2lb (0.54 kg)

Operation

Initial Operation

- **Protect the tool against moisture and direct sun irradiation.**
- **Do not subject the tool to extreme temperatures or variations in temperature.**

For an example, do not leave it in a vehicle for long periods. In case of large variations in temperature, allow the tool to adjust to the ambient temperature before putting it into operation. In case of extreme temperatures or variations in temperature, the accuracy of the tool can be impaired.

- **Avoid heavy impact or dropping of the tool.** After heavy exterior impact on the tool, an accuracy check should always be carried out before continuing to work .

Switching On and Off

To **switch on** the tool, press the On/Off switch **1** once briefly. Immediately after switching on, the tool projects the two laser beams from the exit openings **5** & **6**.

Working Advice

The GPL2 has built-in magnets to mount to a metal surface to help when transferring points.

Out of Level. If the laser is tilted too much and can not self-leveling ($>5^\circ$), the flashing laser beams will indicate the laser is not plumb. Try to reposition the laser on a level surface.

Using the Laser to Plumb. (Fig. 1) To transfer a point from the floor to the ceiling, center the plumb down beam over the point you wish to transfer. The laser will project a bright laser beam on the ceiling. Mark the point as required.

Maintenance and Service

Keep the tool clean at all times. Do not immerse the tool into water or other fluids.

Wipe off debris using a moist and soft cloth. Do not use any cleaning agents or solvents.

If the tool should fail despite the care taken in manufacturing and testing procedures, repair should be carried out by an authorized after-sales service center for Bosch power tools.

In all correspondence and spare parts orders, please always include the 10-digit article number given on the type plate of the tool.

ENVIRONMENT PROTECTION

Recycle raw materials & batteries instead of disposing of waste. The unit, accessories, packaging & used batteries should be sorted for environmentally friendly recycling in accordance with the latest regulations.



LIMITED WARRANTY OF BOSCH LASER AND MEASURING TOOL PRODUCTS

Robert Bosch Tool Corporation ("Seller") warrants to the original purchaser only, that all BOSCH laser and measuring tool products will be free from defects in material or workmanship for a period of three (3) years from date of purchase.

SELLER'S SOLE OBLIGATION AND YOUR EXCLUSIVE REMEDY under this Limited Warranty and, to the extent permitted by law, any warranty or condition implied by law, shall be the repair or replacement of laser and measuring tool products, which are defective in material or workmanship and which have not been misused, carelessly handled, or misrepaired by persons other than Seller or Seller Authorized Service providers.

SELLER'S OBLIGATION AND YOUR REMEDY ARE FURTHER LIMITED AS FOLLOWS:

- **30-Day Money Back Refund or Replacement.** If you are not completely satisfied with the performance of your laser or measuring tool product, for any reason, you can return it to BOSCH within 30 days of the date of purchase for a full refund or replacement. To obtain this 30-Day Refund or Replacement, your return must be accompanied by the original receipt for purchase of the laser or measuring tool product. A maximum of 2 returns per customer will be permitted.
- **First Year— OTC Warranty.** BOSCH will replace your laser or measuring tool product that has failed when used in conformance with product instructions and warnings, with a new laser or measuring tool product of comparable features, for free, any time during the first year after purchase. This warranty does not apply if your laser or measuring tool product fails solely due to the need for recalibration.
- **2- and 3-Year Exchange.** BOSCH will replace your laser or measuring tool product that has failed when used in conformance with product instructions and warnings, with a new or reconditioned laser or measuring tool product of comparable features, for an exchange cost. This warranty does not apply if your laser or measuring tool product fails solely due to the need for recalibration.

For details to make a claim under this Limited Warranty please visit www.boschtools.com or call 1-877-267-2499.

ANY IMPLIED WARRANTIES SHALL BE LIMITED IN DURATION TO ONE YEAR FROM DATE OF PURCHASE. SOME STATES IN THE U.S., AND SOME CANADIAN PROVINCES DO NOT ALLOW LIMITATIONS ON HOW LONG AN IMPLIED WARRANTY LASTS, SO THE ABOVE LIMITATION MAY NOT APPLY TO YOU.

IN NO EVENT SHALL SELLER BE LIABLE FOR ANY INCIDENTAL OR CONSEQUENTIAL DAMAGES (INCLUDING BUT NOT LIMITED TO LIABILITY FOR LOSS OF PROFITS) ARISING FROM THE SALE OR USE OF THIS PRODUCT. SOME STATES IN THE U.S., AND SOME CANADIAN PROVINCES DO NOT ALLOW THE EXCLUSION OR LIMITATION OF INCIDENTAL OR CONSEQUENTIAL DAMAGES, SO THE ABOVE LIMITATION MAY NOT APPLY TO YOU.

THIS LIMITED WARRANTY GIVES YOU SPECIFIC LEGAL RIGHTS, AND YOU MAY ALSO HAVE OTHER RIGHTS WHICH VARY FROM STATE TO STATE IN THE U.S., OR PROVINCE TO PROVINCE IN CANADA AND FROM COUNTRY TO COUNTRY.

THIS LIMITED WARRANTY APPLIES ONLY TO PRODUCTS SOLD WITHIN THE UNITED STATES OF AMERICA, CANADA AND THE COMMONWEALTH OF PUERTO RICO. FOR WARRANTY COVERAGE WITHIN OTHER COUNTRIES, CONTACT YOUR LOCAL BOSCH DEALER OR IMPORTER.

Consignes générales de sécurité

⚠ AVERTISSEMENT

Lisez toutes les instructions. Le non-respect de toutes les instructions figurant ci-dessous risquerait de causer une exposition dangereuse aux rayonnements, un choc électrique, un incendie et/ou des blessures graves. L'expression « instrument de topologies » dans tous les avertissements figurant plus bas fait référence à votre instrument de mesure, de détection et de tracé de topologies branché sur le secteur (avec cordon) ou à votre instrument de mesure, de détection et de tracé de topologies à piles (sans fil).

⚠ AVERTISSEMENT

Les étiquettes suivantes sont apposées sur votre instrument laser pour votre commodité et votre sécurité. Elles indiquent où la lumière laser est émise par le instrument. IL FAUT TOUJOURS CONNAÎTRE sa position lors de l'utilisation du instrument.



Utilisez l'outil correct pour votre application.

Ne dirigez pas le faisceau laser en direction de personnes ou d'animaux, et ne regardez pas directement le faisceau laser vous-même. Cet instrument produit des rayonnements laser de classe 2M et est conforme aux normes 21 CFR 1040.10 et 1040.11, à l'exception des déviations en vertu de l'Avis relatif au laser N° 50 daté du 24 juin 2007. Ceci risquerait de causer l'aveuglement des personnes affectées.

NE RETIREZ PAS et n'effacez pas des étiquettes d'avertissement ou de mise en garde. Le retrait de telles étiquettes augmente le risque d'exposition aux rayonnements laser. L'emploi de commandes ou de réglages autres que ceux qui sont indiqués dans ce mode d'emploi risquerait de causer une exposition dangereuse aux rayonnements.

ASSUREZ-VOUS TOUJOURS que les personnes présentes aux environs de l'endroit où vous employez cet instrument sont au courant des dangers résultant de l'observation directe du faisceau laser.

NE PLACEZ PAS l'instrument dans une position telle que cela permettrait à quiconque de regarder directement le faisceau laser intentionnellement ou non. Ceci risquerait de causer des blessures graves aux yeux.

POSITIONNEZ TOUJOURS l'instrument de façon qu'il soit stable. La chute de l'instrument risquerait d'endommager ce dernier et/ou de causer des blessures graves à son utilisateur.

N'UTILISEZ TOUJOURS que les accessoires qui sont recommandés par le fabricant de votre instrument. L'emploi d'accessoires qui ont été conçus pour emploi avec d'autres outils risquerait de causer des blessures graves.

N'UTILISEZ PAS cet instrument dans un but autre que ceux qui sont indiqués dans ce mode d'emploi. Ceci risquerait de causer des blessures graves.

NE LAISSEZ PAS l'instrument allumé (« ON ») sans surveillance dans un mode de fonctionnement quelconque.

NE DÉMONTÉZ PAS l'instrument. Il ne contient aucune pièce pouvant être réparée par l'utilisateur. Ne modifiez ce produit en aucune façon. Toute modification de cet instrument risquerait de causer une exposition dangereuse aux rayonnements.

N'UTILISEZ PAS les verres de visionnement du laser à la place de lunettes de protection. Les verres de visionnement du laser sont utilisés pour améliorer la visualisation du faisceau laser, mais ils ne protègent pas contre les rayonnements laser.

N'UTILISEZ PAS pas les verres de visionnement du laser en guise de lunette de soleil ou lorsque vous conduisez un véhicule. Ces verres n'assurent pas une protection complète contre les rayons UV et ils réduisent la perception des couleurs.

N'UTILISEZ PAS d'instruments optiques tels, que, entre autres, des télescopes ou des lunettes d'astronome pour regarder le faisceau laser. Ceci risquerait de causer des blessures graves aux yeux.

NE FIXEZ PAS directement des yeux le faisceau laser et ne projetez pas la faisceau laser directement dans les yeux d'autres personnes. Ceci risquerait de causer des blessures graves aux yeux.

CONSERVEZ CES INSTRUCTIONS.

Sécurité sur le lieu de travail

Maintenez votre lieu de travail propre et bien éclairé. Les lieux de travail encombrés ou sombres invitent les accidents.

N'UTILISEZ PAS l'instrument laser à proximité d'enfants, et ne laissez pas des enfants se servir de l'instrument laser. Cela risquerait de produire des blessures graves aux yeux.

Sécurité électrique

AVERTISSEMENT Les piles risquent d'exploser ou de fuir, et de causer des blessures ou un incendie. Afin de réduire ce risque, suivez toujours toutes les instructions et tous les avertissements figurant sur l'étiquette des piles et sur l'emballage.

NE COURT-CIRCUITEZ PAS de bornes des piles.

NE RECHARGEZ PAS des piles alcalines.

NE MÉLANGEZ PAS des piles neuves et des piles usagées. Remplacez toutes les piles en même temps par des piles neuves de la même marque et du même type.

NE MÉLANGEZ PAS des piles ayant des compositions chimiques différentes.

Jetez ou recyclez les piles conformément aux règlements du code local.

NE JETEZ PAS des piles dans un feu.

Gardez les piles hors de la portée des enfants.

Retirez les piles si vous ne pensez pas utiliser cet instrument pendant plusieurs mois.

Sécurité personnelle

Restez alerte, surveillez ce que vous êtes en train de faire et faites preuve de bons sens lorsque vous utilisez un quelconque outil. N'utilisez pas un outil pendant que vous êtes fatigué(e) ou sous l'influence de drogues, d'alcool ou de médicaments. Un moment

d'inattention pendant que vous vous servez d'un outil risquerait de causer de graves blessures personnelles ou de produire des résultats de mesures imprécis.

Utilisez des équipements de sécurité. Portez toujours une protection des yeux. Des équipements tels que des masques antipoussières, des chaussures de sécurité antidérapantes, un casque ou une protection des oreilles utilisés pour les conditions appropriées réduiront les blessures corporelles.

Fixation magnétique



Ne pas mettre l'appareil de mesure dans la proximité de stimulateurs cardiaques. Les aimants 4 génèrent un champ qui peut entraver le fonctionnement de stimulateurs cardiaques.

- **Maintenir l'appareil de mesure éloigné des supports de données magnétiques et des appareils réagissant aux sources magnétiques.** L'effet des aimants 4 peut entraîner des pertes de données irréversibles.

Utilisation et entretien

Utilisez l'outil correct pour votre application. L'instrument de mesure, de détection et de tracé de topologies correct vous permettra de faire un meilleur travail et avec plus de sécurité à la vitesse pour laquelle il a été conçu.

N'utilisez pas cet instrument si l'interrupteur ne s'allume pas ou ne s'éteint pas. Un instrument qui ne peut pas être contrôlé par son interrupteur est dangereux et doit être réparé.

Rangez l'instrument hors de la portée des enfants lorsque vous ne vous en servez pas, et ne laissez pas de personnes ne connaissant pas bien cet instrument ou n'ayant pas lu ce mode d'emploi mettre l'outil en marche. De tels instruments pourraient être dangereux entre les mains d'utilisateurs n'ayant pas reçu la formation nécessaire à leur utilisation.

Entretenez vos instruments. Assurez-vous que les pièces sont alignées correctement et que les pièces mobiles ne se coincent pas, qu'il n'y a pas de pièces brisées ou d'autres conditions pouvant affecter le fonctionnement. Réparez tout instrument endommagé avant de vous en servir. De nombreux accidents par des instruments de mesure, de détection et de tracé de topologies mal entretenus.

Utilisez l'outil, les accessoires, etc. conformément à ce mode d'emploi et de la manière prévue pour le type particulier d'instrument, en tenant compte des conditions de travail à réaliser. L'emploi de cet instrument pour des opérations différentes de celles qui sont indiqués dans le mode d'emploi risquerait de causer une situation dangereuse.

Service après-vente

Faites réparer votre instrument par un réparateur agréé n'utilisant que des pièces de rechange identiques. Ceci assurera le respect des prescriptions de sécurité pour l'instrument. Préparez un calendrier de maintenance périodique pour l'instrument. Lorsque vous nettoyez un instrument, faites attention de ne pas démonter une partie quelconque de l'instrument étant donné que des fils internes risqueraient d'être déplacés ou pincés, ou qu'ils pourraient être remontés de façon incorrecte. Certains produits de nettoyage tels que de l'essence, du tétrachlorure de carbone, de l'ammoniac, etc. risqueraient d'endommager les composants en plastique.

Il n'est possible de travailler en toute sécurité avec cet instrument qu'après avoir lu toutes les informations relatives à son utilisation et à la sécurité, et à condition de respecter rigoureusement toutes les instructions contenues dans le mode d'emploi. Ne rendez jamais illisibles les étiquettes d'avertissement se trouvant sur l'instrument.

CONSERVEZ CES INSTRUCTIONS

Emploi prévu

L'outil est conçu pour le transfert précis de points verticaux vers le haut ou vers le bas.

Préparation

Inserting/Replacing the Battery

Mise en place/changement des piles

N'utiliser que des piles alcalines au manganèse.

Ouvrez le couvercle du compartiment des piles **2** en tirant sur la porte du compartiment des piles vers l'arrière de l'outil. Introduisez les piles.

Veillez à la bonne position des pôles qui doit correspondre à la figure se trouvant à l'intérieur du compartiment à piles. Toujours remplacer toutes les piles en même temps. N'utiliser que des piles de la même

marque avec la même capacité.

Pour vous débarrasser correctement des piles usées, voyez la section sur la « Protection environnementale ».

- **Sortir les piles de l'appareil de mesure au cas où l'appareil ne serait pas utilisé pour une période assez longue.** En cas de stockage long, les piles peuvent corroder et se décharger

Indicateur de décharge partielle des piles

Niveau bas des piles : le laser clignote 8 fois toutes les 8 secondes.

Features

La numérotation des éléments de l'appareil se réfère à la représentation de l'appareil de mesure sur la page graphique.

- 1 Interrupteur Marche/Arrêt

- 2 Couvercle du compartiment à piles
- 3 Raccord de trépied 1/4"
- 4 Aimants
- 5 Orifice pour point laser vertical
- 6 Orifice pour point vertical descendant

Données techniques

Zone de travail jusqu'à environ- Standard 30 m
Précision de nivellement
Aplomb ver le Haut ±3mm/15m
Aplomb ver le Bas ±6mm/3m
Plage typique de nivellement automatique ±5°
Température de service 0°C ~ +40°C
Classe laser 2M

Type de laser 650 nm, ≤1 mW
Raccord de trépied 1/4-20
Piles 3 x 1,5 V LR6 (AA)
Poids 0,54 kg

Faire attention au numéro d'article se trouvant sur la plaque signalétique de l'appareil de mesure. Les désignations commerciales des différents appareils peuvent varier.

Consignes d'utilisation

Mise en service

• **Protéger l'appareil de mesure contre l'humidité, ne pas l'exposer aux rayons directs du soleil.**

• **Ne pas exposer l'appareil de mesure à des températures extrêmes ou de forts changements de température.** Ne le laissez pas traîner longtemps dans la voiture par ex. En cas d'importants changements de température, laissez l'appareil de mesure prendre la température ambiante avant de le mettre en service. Des températures extrêmes ou de forts changements de température peuvent entraver la précision de l'appareil de mesure.

• **Éviter les chocs ou les chutes de l'appareil de mesure.** Lorsque l'appareil de mesure a été soumis à de fortes influences extérieures, toujours effectuer un contrôle de précision avant de continuer à travailler (voir « Précision de nivellement »).

Mise en Marche/Arrêt

Pour mettre l'outil sous tension, appuyez une fois, brièvement, sur l'interrupteur marche/arrêt 1. Immédiatement après la mise sous tension, l'outil projette les trois rayons laser (vertical montant, vertical descendant) depuis les orifices de sortie 5 et 6.

Instructions d'utilisation

Le GPL2 comporte des aimants pour le monter sur une surface métallique afin d'aider lors du transfert des points.

Hors niveau : Si le laser est trop incliné et ne peut pas s'auto-niveler ($> 5^\circ$), les faisceaux clignotants du laser indiqueront que le laser n'est pas d'aplomb. Essayez de le positionner sur une surface nivelée.

Utiliser le laser pour mettre d'aplomb : (Fig. 1) Pour transférer un point du sol au plafond, centrez le faisceau d'aplomb vers le bas sur le point que vous désirez transférer. Le laser projettera un faisceau laser brillant sur le plafond. Marquez le point comme requis.

Maintenance et service

Maintenir l'appareil de mesure propre.

Ne jamais plonger l'appareil de mesure dans l'eau ou dans d'autres liquides.

Nettoyer l'appareil à l'aide d'un chiffon doux et humide. Ne pas utiliser de détergents ou de solvants.

Nettoyer régulièrement en particulier les surfaces se trouvant près de l'ouverture de sortie du laser en veillant à éliminer les poussières.

Si, malgré tous les soins apportés à la fabrication et au contrôle de l'appareil de mesure, celui-ci devait avoir un défaut, la

réparation ne doit être confiée qu'à une station de service après-vente agréée pour outillage Bosch.

Pour toute demande de renseignement ou commande de pièces de rechange, nous précisons impérativement le numéro d'article à dix chiffres de l'appareil de mesure indiqué sur la plaque signalétique.

PROTECTION DE L'ENVIRONNEMENT

Recyclez les matières premières et les piles au lieu de les mettre au rebut. L'instrument, ses accessoires, son conditionnement et les piles usées doivent être triés en vue d'un recyclage écologique conforme aux lois les plus récentes.



GARANTIE LIMITÉE DES PRODUITS LASER ET AUTRES INSTRUMENTS DE MESURE BOSCH

Robert Bosch Tool Corporation (le « Vendeur ») garantit à l'acheteur original seulement que tous les produits laser et autres instruments de mesure BOSCH ne comporteront pas de défauts de matériau ou de façon pendant une période de trois (3) ans à compter de la date de l'achat.

LA SEULE OBLIGATION DU VENDEUR ET VOTRE REMÈDE EXCLUSIF en vertu de cette Garantie limitée et, dans la mesure autorisée par la loi, de toute garantie ou condition implicite de par l'opération de la loi, seront la réparation ou le remplacement du produit laser et des autres instruments de mesure ayant des défauts de matériau ou de façon, à condition qu'ils n'aient pas été utilisés abusivement, manipulés sans prendre les précautions nécessaires ou réparés de façon incorrecte par des personnes autres que le Vendeur ou des prestataires de services agréés par le Vendeur.

L'OBLIGATION DU VENDEUR ET VOTRE REMÈDE SONT ÉGALEMENT LIMITÉS PAR LES DISPOSITIONS SUIVANTES :

- Le retour du produit pour un remboursement du prix d'achat dans les 30 jours doit être accompagné par l'original du reçu de la vente du produit laser ou de l'instrument de mesure. Deux retours de produits au maximum sont autorisés pour chaque client.
- Première année – garantie de remplacement instantané. BOSCH remplacera gratuitement votre produit laser ou votre instrument de mesure qui est devenu défectueux, malgré le fait qu'il a été utilisé conformément aux instructions et aux avertissements accompagnant le produit ou l'instrument, par un produit laser ou un instrument de mesure neuf ayant des caractéristiques comparables, à n'importe quel moment pendant l'année suivant l'achat. Cette garantie ne s'appliquera pas si votre produit laser ou instrument de mesure est défectueux seulement en conséquence du besoin de réétalonnage.
- Deuxième et troisième année – échange. BOSCH remplacera votre produit laser ou votre instrument de mesure qui est devenu défectueux, malgré le fait qu'il a été utilisé conformément aux instructions et aux avertissements accompagnant le produit ou l'instrument, par un produit laser ou un instrument de mesure neuf ou remis en état ayant des caractéristiques comparables moyennant un coût d'échange. Cette garantie ne s'appliquera pas si votre produit laser ou instrument de mesure est défectueux seulement en conséquence du besoin de réétalonnage.

Pour obtenir tous les détails nécessaires à une réclamation en vertu de la présente Garantie limitée, veuillez visiter www.boschtools.com ou téléphoner au 1-877-267-2499.

TOUTES LES GARANTIES IMPLICITES AURONT UNE DURÉE LIMITÉE À UN AN À COMPTER DE LA DATE DE L'ACHAT. COMME CERTAINS ÉTATS AUX ÉTATS-UNIS ET CERTAINES PROVINCES AU CANADA NE PERMETTENT PAS LA LIMITATION DE LA DURÉE DES GARANTIES IMPLICITES, LA LIMITATION QUI PRÉCÈDE NE S'APPLIQUE PEUT-ÊTRE PAS À VOUS.

LE VENDEUR NE SERA EN AUCUN CAS RESPONSABLE POUR DE QUELCONQUES DOMMAGES INDIRECTS OU SECONDAIRES (Y COMPRIS, MAIS SANS LIMITATION, LA RESPONSABILITÉ POUR PERTE DE BÉNÉFICES) RÉSULTANT DE LA VENTE OU DE L'UTILISATION DE CE PRODUIT. COMME CERTAINS ÉTATS AUX ÉTATS-UNIS ET CERTAINES PROVINCES AU CANADA NE PERMETTENT PAS L'EXCLUSION OU LA LIMITATION DES DOMMAGES INDIRECTS OU SECONDAIRES, LA LIMITATION QUI PRÉCÈDE NE S'APPLIQUE PEUT-ÊTRE PAS À VOUS.

CETTE GARANTIE LIMITÉE VOUS CONFÈRE DES DROITS LÉGAUX SPÉCIFIQUES, ET VOUS POUVEZ AVOIR D'AUTRES DROITS, QUI VARIENT D'UN ÉTAT À L'AUTRE AUX ÉTATS-UNIS, D'UNE PROVINCE À L'AUTRE AU CANADA ET D'UN PAYS À L'AUTRE.

CETTE GARANTIE LIMITÉE NE S'APPLIQUE QU'AUX PRODUITS VENDUS AUX ÉTATS-UNIS D'AMÉRIQUE, AU CANADA ET À PORTO RICO. POUR CONNAÎTRE LA COUVERTURE DE LA GARANTIE DANS D'AUTRES PAYS, VEUILLEZ CONTACTER VOTRE DISTRIBUTEUR OU IMPORTATEUR BOSCH.

Normas generales de seguridad



ADVERTENCIA

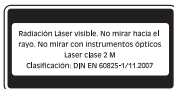
Lea todas las instrucciones. Si no se siguen todas las instrucciones que aparecen a continuación, el resultado podría ser exposición a radiación peligrosa, descargas eléctricas, incendio y/o lesiones graves.

La expresión "herramienta de medición, detección y disposición" en todas las advertencias que aparecen a continuación se refiere a su herramienta de medición, detección y disposición alimentada por la red eléctrica (alámbrica) o su herramienta de medición, detección y disposición alimentada por baterías (inalámbrica).



ADVERTENCIA

Las siguientes etiquetas están colocadas en su herramienta láser para brindarle conveniencia y seguridad. Indican el lugar donde la luz láser es emitida por el nivel. CONOZCA SIEMPRE su ubicación cuando utilice el nivel.



No dirija el rayo láser hacia personas o animales y no mire al rayo láser usted mismo. Esta herramienta produce radiación láser de clase 2M y cumple con las normas 21 CFR 1040.10 y 1040.11, excepto por las desviaciones conformes al Aviso sobre láser No. 50, de fecha 24 de junio de 2007. Esto puede causar ceguera en las personas.

NO retire ni desfigure ninguna etiqueta de advertencia o de precaución. Si se retiran las etiquetas, se aumenta el riesgo de exposición a radiación láser.

La utilización de controles o ajustes, o la realización de procedimientos que no sean los especificados en este manual, puede causar exposición a radiación peligrosa.

Asegúrese SIEMPRE de que todas las personas que se encuentren en la vecindad del lugar de uso conozcan los peligros de mirar directamente al láser.

NO coloque la herramienta en una posición que pueda hacer que alguien mire al rayo láser de manera intencional o accidental. El resultado podría ser lesiones graves en los ojos.

Posicione SIEMPRE la herramienta de manera segura. Si la herramienta falla, el resultado podría ser daños a la misma y/o lesiones graves al usuario.

Utilice SIEMPRE sólo los accesorios que estén recomendados por el fabricante de su herramienta. El uso de accesorios que hayan sido diseñados para utilizarse con otras herramientas podría causar lesiones graves.

NO utilice esta herramienta para propósitos que no sean los indicados en este manual. Si lo hace, el resultado podría ser lesiones graves.

NO deje la herramienta láser "ENCENDIDA" desatendida en ningún modo de funcionamiento.

NO desarme la herramienta. En su interior no hay piezas reparables ni reemplazables por el usuario. No modifique el producto de ninguna manera. Si se modifica la herramienta, el resultado podría ser exposición a radiación láser peligrosa.

NO utilice los anteojos de visión láser como anteojos de seguridad. Los anteojos de visión láser se utilizan para mejorar la visualización del rayo láser, pero no protegen contra la radiación láser.

NO utilice los anteojos de visión láser como lentes de sol o en tráfico. Los anteojos de visión láser no ofrecen protección completa contra los rayos UV y reducen la percepción de los colores.

NO use herramientas ópticas, tales como, pero no limitadas a, telescopios o telescopios meridianos, para ver el rayo láser. El resultado podría ser lesiones graves en los ojos.

NO mire directamente al rayo láser ni proyecte el rayo láser directamente a los ojos de otras personas. El resultado podría ser lesiones graves en los ojos.

GUARDE ESTAS INSTRUCCIONES

Seguridad en el área de trabajo

Mantenga el área de trabajo limpia y bien iluminada. Las áreas desordenadas u oscuras invitan a que se produzcan accidentes.

NO utilice la herramienta láser cerca de niños ni deje que los niños utilicen la herramienta láser. El resultado podría ser lesiones graves en los ojos.

Seguridad eléctrica

⚠ ADVERTENCIA Las baterías pueden explotar o tener fugas y causar lesiones o incendios.

Para reducir este riesgo, siga siempre todas las instrucciones y advertencias que están en la etiqueta y en el paquete de las baterías.

NO haga cortocircuito en los terminales de las baterías.

NO cargue baterías alcalinas.

NO mezcle baterías viejas y nuevas. Reemplace todas las baterías al mismo tiempo con baterías nuevas de la misma marca y el mismo tipo.

NO mezcle las químicas de las baterías.

Deseche o recicle las baterías de acuerdo con el código local.

NO deseche las baterías en un fuego.

Mantenga las baterías fuera del alcance de los niños.

Retire las baterías si el dispositivo no se va a usar durante varios meses.

Seguridad personal

Manténgase alerta, fíjese en lo que está haciendo y use el sentido común cuando utilice una herramienta. No utilice una herramienta mientras esté cansado o bajo la influencia de drogas, alcohol o medicamentos. Un momento de descuido mientras se utiliza una herramienta puede causar lesiones personales graves o resultados de medición incorrectos.

Use equipo de seguridad. Use siempre protección de los ojos. El equipo de seguridad, tal como una máscara antipolvo, zapatos de seguridad antideslizantes, casco o protección de la audición, utilizado para las condiciones apropiadas, reducirá las lesiones corporales.

Sujeción magnética



No coloque el aparato de medición cerca de personas que utilicen un marcapasos.

El campo magnético que producen los imanes 4 puede perturbar el funcionamiento de los marcapasos.

- **Mantenga el aparato de medición alejado de soportes de datos magnéticos y de aparatos sensibles a los campos magnéticos.** Los imanes 4 pueden provocar una pérdida de datos irreversible.

Uso y cuidado

Use la herramienta correcta para la aplicación que vaya a realizar. La herramienta correcta de medición, detección y disposición hará el trabajo mejor y de manera más segura a la capacidad nominal para la que fue diseñada.

No utilice la herramienta si el interruptor no la enciende y apaga. Cualquier herramienta que no se pueda controlar con el interruptor es peligrosa y debe ser reparada.

Cuando no esté utilizando la herramienta, almacénela fuera del alcance de los niños y no deje que las personas que no estén familiarizadas con ella o con estas instrucciones utilicen la herramienta. Las herramientas son peligrosas en las manos de los usuarios que no hayan recibido capacitación.

Mantenga las herramientas. Compruebe si hay piezas desalineadas o que se atoren, si hay piezas rotas y si existe cualquier otra situación que pueda afectar al funcionamiento. Si la herramienta está dañada, se debe reparar antes de utilizarla. Muchos accidentes son causados por herramientas de medición, detección y disposición mal mantenidas.

Utilice la herramienta, los accesorios, etc., de acuerdo con estas instrucciones y de la

manera prevista para el tipo específico de herramienta, teniendo en cuenta las condiciones de trabajo y el trabajo que se vaya a realizar. El uso de la herramienta para realizar operaciones distintas a las previstas podría causar una situación peligrosa.

Servicio

Haga que su herramienta reciba servicio de ajustes y reparaciones por un técnico de reparaciones calificado, utilizando únicamente piezas de repuesto idénticas. Esto asegurará que se mantenga la seguridad de la herramienta.

Desarrolle un programa de mantenimiento periódico para su herramienta. Cuando limpie una herramienta, tenga cuidado de no desarmar ninguna parte de la herramienta, ya que los cables internos se pueden descolocar o pellizcar, o se pueden montar incorrectamente. Ciertos agentes de limpieza, tales como gasolina, tetracloruro de carbono, amoníaco, etc., pueden dañar las piezas de plástico.

GUARDE ESTAS INSTRUCCIONES.

Uso previsto

La herramienta está diseñada para la transferencia precisa del punto de plomada hacia arriba y plomada hacia abajo.

Preparación

Inserción y cambio de la pila

Usar exclusivamente pilas alcalinas-manganeso.

Abra la cubierta de las baterías **2** jalando la puerta de las baterías hacia la parte trasera de la herramienta.

Respete la polaridad indicada en la parte interior del alojamiento de las pilas.

Siempre sustituya todas las pilas al mismo tiempo. Utilice pilas del mismo fabricante e igual capacidad.

- **Saque las pilas del aparato de medida si pretende no utilizarlo durante largo tiempo.** Tras un tiempo de almacenaje prolongado, las pilas se puede llegar a corroer y autodescargar.

Indicador de baterías bajas

Baja energía :El láser parpadea 8 veces cada 8 segundos

Características

La numeración de los componentes está referida a la imagen del aparato de medición en la página ilustrada.

- 1** Interruptor de conexión/desconexión
- 2** Tapa del alojamiento de la pila
- 3** Fijación para trípode 1/4-20

- 4** Imanes
- 5** Salida para el punto de láser vertical
- 6** Salida para el punto de plomada hacia abajo

Datos Técnicos

Alcance
– Estándar 30 m

Precisión de nivelación
Precisión (Arriba) ±3mm/15m
Precisión (Abajo) ±6mm/3m

Margen de autonivelación,
típico ±5°

Temperatura de
operación 0°C ~ +40°C
Clase de láser 2M

Tipo de láser 650 nm, ≤1 mW
Fijación para trípode 1/4-20
Pilas 3 x 1,5 V LR6 (AA)
Peso 0,54 kg

Preste atención al n° de artículo que figura en la placa de características de su aparato de medida, ya que pueden variar las denominaciones comerciales en ciertos aparatos de medida.

Operación

Puesta en marcha

- **Proteja el aparato de medida de la humedad y de la exposición directa al sol.**
- **No exponga el aparato de medición ni a temperaturas extremas ni a cambios bruscos de temperatura.** No lo deje, p.ej., en el coche durante un largo tiempo. Si el aparato de medición ha quedado sometido a un cambio fuerte de temperatura, antes de ponerlo en servicio, esperar primero a que se atempera.
- **Evite las sacudidas o caídas fuertes del aparato de medición.** Los daños producidos en el aparato de medición pueden afectar a la precisión de medida. En caso de haber sufrido un golpe o caída fuerte, comparar la línea del láser con una línea de referencia horizontal o vertical conocida.

Conexión/desconexión

Para encender la herramienta, presione el

interruptor de encendido y apagado **1** una vez brevemente. Inmediatamente después de encender la herramienta, ésta proyectará los dos rayos láser (plomada hacia arriba y plomada hacia abajo) desde las aberturas de salida **5 y 6**.

Instrucciones para la operación

El GPL2 tiene imanes incorporados para montaje sobre superficies de metal para ayudar a transferir puntos.

Fuera de nivel. Si el láser está demasiado inclinado y no se puede auto-nivelar ($>5^\circ$), los rayos láser parpadeantes indicarán que el láser no está a plomo. Trate de colocar el láser sobre una superficie nivelada.

Uso del láser como plomada. (Fig.1) Para transferir un punto del suelo al cielo raso, centre el rayo de plomada hacia abajo sobre el punto que desea transferir. El láser proyectará un rayo brillante en el cielo raso. Marque el punto tal como sea necesario.

Mantenimiento y servicio

Mantenga limpio siempre el aparato de medida.

No sumerja el aparato de medición en agua ni en otros líquidos. Limpiar el aparato con un paño húmedo y suave.

No usar detergentes ni disolventes.

Limpie con regularidad sobre todo el área en torno a la abertura de salida del láser, cuidando que no queden motas.

Si a pesar de los esmerados procesos de fabricación y control, el aparato de medida llegase a averiarse, la reparación deberá encargarse a un taller de servicio autorizado para herramientas eléctricas Bosch.

Al realizar consultas o solicitar piezas de

repuesto, es imprescindible indicar siempre el nº de artículo de 10 dígitos que figura en la placa de características del aparato de medida.

PROTECCIÓN AMBIENTAL

Recicle materias primas en vez de botarlas a la basura.

La máquina, los accesorios y el empaque deberán ser clasificados para un reciclado compatible con el ambiente.

No bote las baterías en la basura de su casa, al fuego o al agua, sino deshágase de ellas en una forma amiga del medio ambiente y de acuerdo con las regulaciones legales que corresponden.



GARANTÍA LIMITADA PARA PRODUCTOS DE HERRAMIENTAS LÁSER Y DE MEDICIÓN BOSCH

Robert Bosch Tool Corporation (el "Vendedor") garantiza, únicamente al comprador original, que todos los productos de herramientas láser y de medición BOSCH estarán libres de defectos de material o de fabricación durante un período de tres (3) años a partir de la fecha de compra.

LA ÚNICA OBLIGACIÓN DEL VENDEDOR Y EL RECURSO EXCLUSIVO QUE USTED TIENE bajo esta Garantía Limitada y, hasta donde la ley lo permita, cualquier garantía o condición implícita por ley, consistirán en la reparación o el reemplazo de los productos de herramientas láser y de medición que presenten defectos de material o de fabricación y que no hayan sido utilizados incorrectamente, manejados descuidadamente o reparados incorrectamente por personas que no sean el Vendedor o proveedores de Servicio Autorizados por el Vendedor.

LA OBLIGACIÓN DEL VENDEDOR Y EL RECURSO QUE USTED TIENEN ESTÁN LIMITADOS ADICIONALMENTE DE LA MANERA SIGUIENTE:

- **Reembolso de devolución del dinero o reemplazo durante 30 días.** Si no está completamente satisfecho con el rendimiento de su producto de herramienta láser o de medición, por cualquier motivo, puede devolverlo a distribuidor BOSCH dentro del plazo de 30 días a partir de la fecha de compra para obtener un reembolso completo o un reemplazo. Para obtener este reembolso o reemplazo dentro del plazo de 30 días, su devolución debe estar acompañada por el recibo de compra original del producto de herramienta láser o de medición. Se permitirá un máximo de 2 devoluciones por cliente.
- **Garantía OTC durante el primer año.** BOSCH reemplazará su producto de herramienta láser o de medición que haya fallado cuando se haya utilizado de acuerdo con las instrucciones y advertencias del producto, con un producto de herramienta láser o de medición nuevo de características comparables, gratuitamente, en cualquier momento durante el primer año después de la compra. Esta garantía no se aplica si su producto de herramienta láser o de medición falla solamente debido a la necesidad de calibración.
- **Intercambio dentro del plazo de 2 y 3 años.** BOSCH reemplazará su producto de herramienta láser o de medición que haya fallado cuando se haya utilizado de acuerdo con las instrucciones y advertencias del producto, con un producto de herramienta láser o de medición nuevo o reacondicionado de características comparables, por un costo de intercambio. Esta garantía no tiene aplicación si su producto de herramienta láser o de medición falla solamente debido a la necesidad de recalibración.

Para obtener detalles con el fin de presentar un reclamo bajo esta Garantía Limitada, sírvase visitar www.boschtools.com o llamar al 1-877-267-2499.

TODAS LAS GARANTÍAS IMPLÍCITAS TENDRÁN UNA DURACIÓN LIMITADA A UN AÑO A PARTIR DE LA FECHA DE COMPRA. ALGUNOS ESTADOS DE LOS EE.UU. Y ALGUNAS PROVINCIAS CANADIENSES NO PERMITEN LIMITACIONES EN CUANTO A LA DURACIÓN DE UNA GARANTÍA IMPLÍCITA, POR LO QUE ES POSIBLE QUE LA LIMITACIÓN QUE ANTECEDE NO TENGA APLICACIÓN EN EL CASO DE USTED.

EL VENDEDOR NO SERÁ RESPONSABLE EN NINGÚN CASO POR DAÑOS INCIDENTALES O EMERGENTES (INCLUYENDO PERO SIN ESTAR LIMITADOS A RESPONSABILIDAD POR PÉRDIDA DE GANANCIAS) QUE SURJAN DE LA VENTA O UTILIZACIÓN DE ESTE PRODUCTO. ALGUNOS ESTADOS DE LOS EE.UU. Y ALGUNAS PROVINCIAS CANADIENSES NO PERMITEN LA EXCLUSIÓN O LIMITACIÓN DE LOS DAÑOS INCIDENTALES O EMERGENTES, POR LO QUE ES POSIBLE QUE LA LIMITACIÓN QUE ANTECEDE NO TENGA APLICACIÓN EN EL CASO DE USTED.

ESTA GARANTÍA LIMITADA LE CONFIERE A USTED DERECHOS LEGALES ESPECÍFICOS Y ES POSIBLE QUE USTED TENGA TAMBIÉN OTROS DERECHOS QUE VARIAN DE UN ESTADO A OTRO EN LOS EE.UU. O DE UNA PROVINCIA A OTRA EN CANADÁ Y DE UN PAÍS A OTRO.

ESTA GARANTÍA LIMITADA SE APLICA SÓLO A LOS PRODUCTOS VENDIDOS EN LOS ESTADOS UNIDOS DE AMÉRICA, CANADÁ Y EL ESTADO LIBRE ASOCIADO DE PUERTO RICO. PARA OBTENER COBERTURA DE GARANTÍA EN OTROS PAÍSES, PÓNGASE EN CONTACTO CON SU DISTRIBUIDOR O IMPORTADOR BOSCH LOCAL.

© Robert Bosch Tool Corporation 1800 W. Central Road Mt. Prospect, IL 60056-2230
Exportado por: Robert Bosch Tool Corporation Mt. Prospect, IL 60056-2230, E.U.A.
Importado en México por: Robert Bosch, S.A. de C.V., Calle Robert Bosch No. 405,
Zona Industrial, Toluca, Edo. de México, C.P. 50070, Tel. (722) 2792300