

## PART LIST

### KEY QTY DESCRIPTION

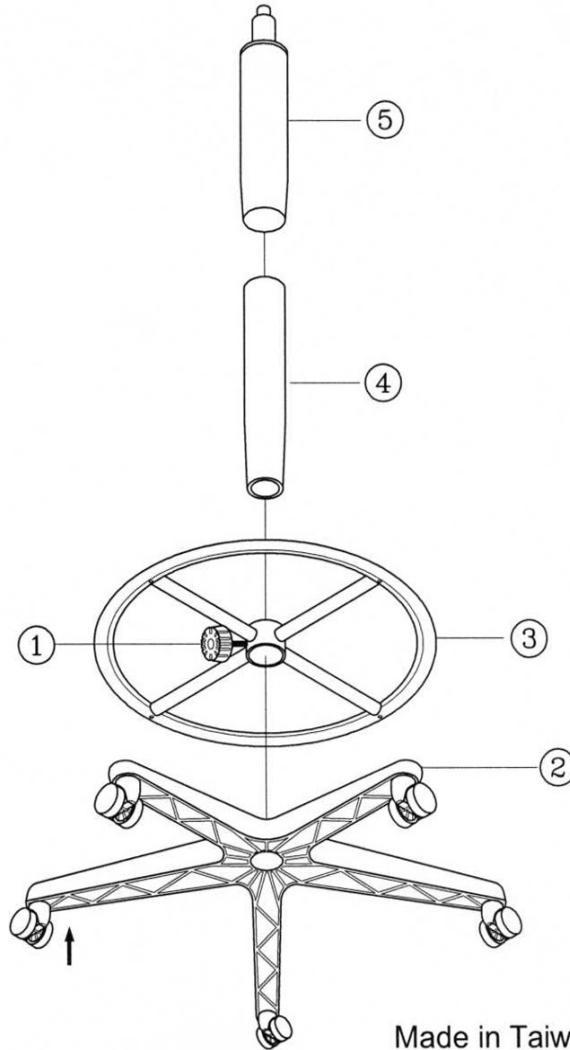
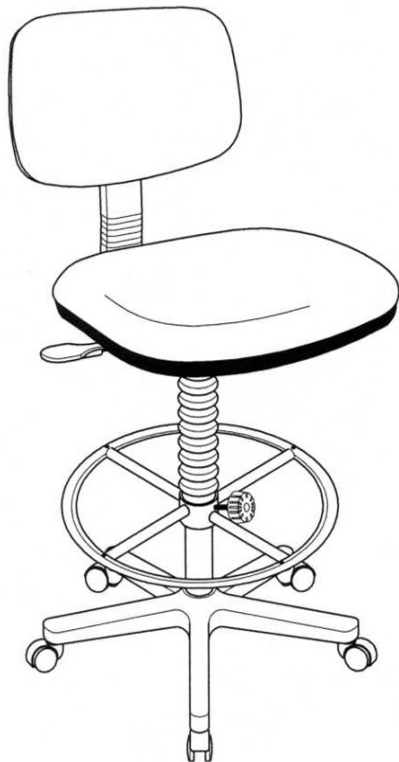
1	1	Footring Adj. Knob
2	1	Base (Supplied with chair)
3	1	Footring
4	1	Extension Tube
5	4	Gas Cylinder (Supplied with chair)

### NOTE:

Part #'s 2 and 5 were included with your chair. They are not included with the CK38 Conversion Kit.

### PREVENTIVE MAINTENANCE AND WARNING!

- USE THIS PRODUCT ONLY FOR SEATING ONE PERSON AT A TIME.
- DO NOT USE THIS CHAIR AS A STEP STOOL / LADDER.
- DO NOT SIT ON ANY PART OF THE CHAIR EXCEPT THE SEAT.
- DO NOT USE CHAIR ON UNEVEN FLOOR SURFACES.
- DO NOT USE CHAIR UNLESS ALL BOLTS, SCREWS AND KNOBS ARE TIGHT. AT LEAST EVERY SIX MONTHS, CHECK ALL BOLTS, SCREWS AND KNOBS TO BE SURE THEY ARE TIGHT.
- IF ANY PARTS ARE MISSING, BROKEN, DAMAGED OR WORN, STOP USE OF THE PRODUCT UNTIL REPAIRS ARE MADE USING FACTORY AUTHORIZED PARTS.
- DISPOSE OF PACKAGING PROPERLY. PLASTIC BAG IS NOT A TOY. DO NOT USE PLASTIC BAG AS HEAD COVERING - IT MAY CAUSE SUFFOCATION.
- FAILURE TO FOLLOW THESE WARNINGS COULD RESULT IN SERIOUS INJURY.



Made in Taiwan

### ASSEMBLY INSTRUCTIONS

1. Insert Extension Tube (4) into center of Footring (3) until it is about ½ way through. This may require loosening the Adjustment Knob (1). **Hint:** Place Extension Tube on floor with narrow end facing up and push the Footring down over the top.
2. Insert narrow end of Extension Tube into center of Chair Base (2) until it is firmly seated
3. Insert Gas Cylinder (5) into wide end of Extension Tube until it is firmly seated
4. Finish assembling chair according to chair instructions
5. Adjust Footring to desired height and tighten Adjustment Knob securely

**CAUTION** - The Footring is intended as a footrest only. It is not designed to be stood upon.

