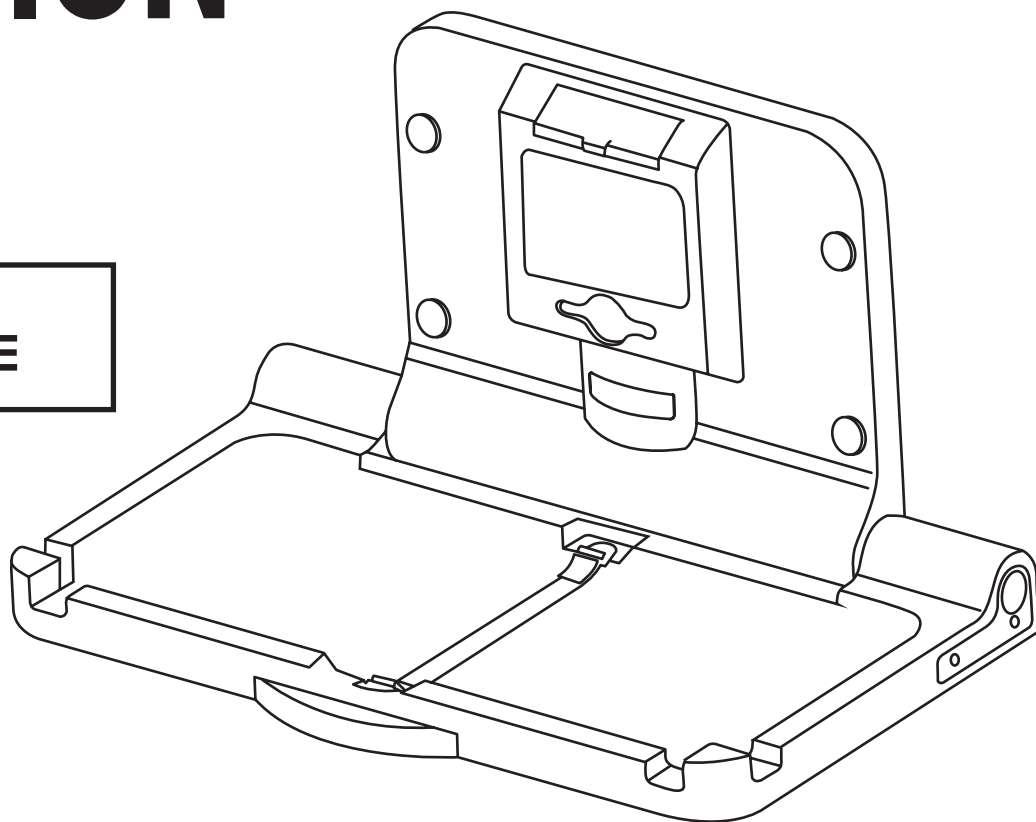




HORIZONTAL DIAPER CHANGING STATION

ALP411-E

USER GUIDE





THANK YOU FOR YOUR PURCHASE.

Known in the industry for excellent products, Alpine Industries is a manufacturer of innovative, solution-based products for the commercial and institutional markets worldwide.

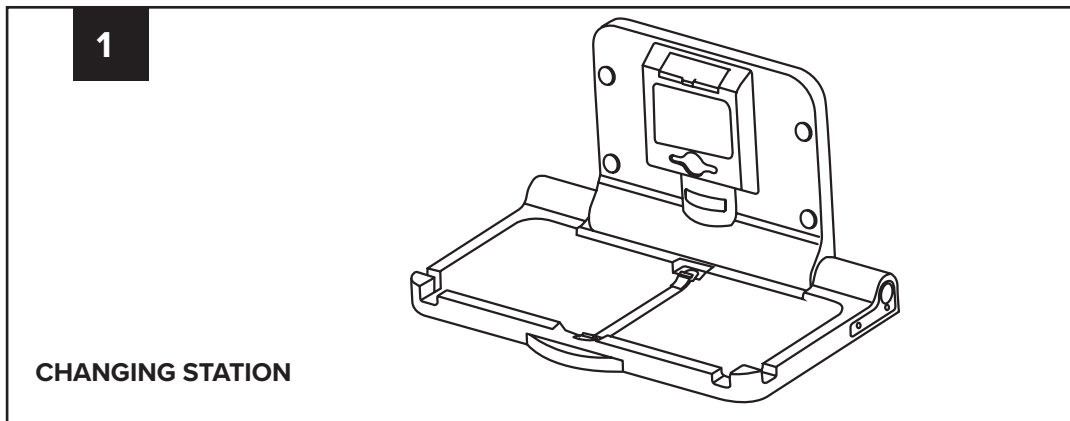
Combining commitment to the customer, design innovation and skilled, dedicated workforces, they have produced a range of products that are an essential part of every commercial facility. Every product is designed to the highest standards, enabling you to get your requirements done in a reliable and cost-effective way.



Table of Contents

- 1** Parts Included
- 2** Hardware Bag
- 3** Installation Instructions
- 9** Operation Instructions
- 10** Maintenance and Cleaning
- 11** Limited Warranty
- 12** Disclaimer

Parts Included



Tools Required (Not Included)

Adult Installation Required


- Level
- Measuring Tape
- Power Drill with 7/32", 1/8" and 1/2" masonry bits.
- Power screwdriver with bull nose Philips bit.

CAUTION:

- **Read all instructions before assembly of Diaper Changing Station.**
- **Unpack carton and identify all parts**

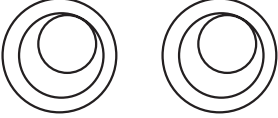
Hardware

A



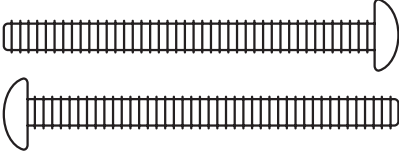
3" WOOD SCREWS (4)

B



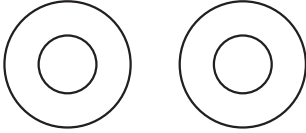
3/4" FINISHING WASHERS (4)

C



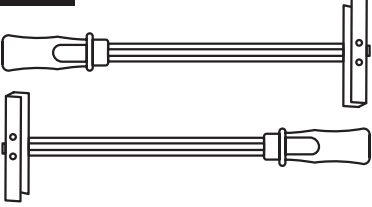
3" MACHINE SCREWS (2)

D



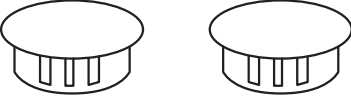
3/4" FLAT WASHERS (4)

E



TOGGLE ANCHORS (2)

F



1 1/4" CAPS (4)

Installation Instructions



WARNING:

- One wall stud **MUST** be located and **USED** for at least one side of the diaper changing station.
- The diaper changing station **CANNOT** be heavier than the anchors or walls they are attached to.
- It **MUST** be firmly secured to support the additional weight of a child.
- Contact an architect or building contractor for further questions.

STEP 1:

A. Locate the wood stud where the left side of Changing Station (1) will be mounted to the wall.

STEP 2:

A. Measure up 42" (107cm) from the floor and mark the wall; this locates the top left attachment hole's position.

NOTE: Mark on wall **MUST** be in the center of the wood stud.

STEP 3:

A. Align the hole in the top left corner of Changing Station (1) with the mark on the wall and hold it in place.

STEP 4:

- A. Using a level and measuring tape, mark the remaining three (3) holes.
B. After marking holes, set the Changing Station (1) down on the ground.

STEP 5:

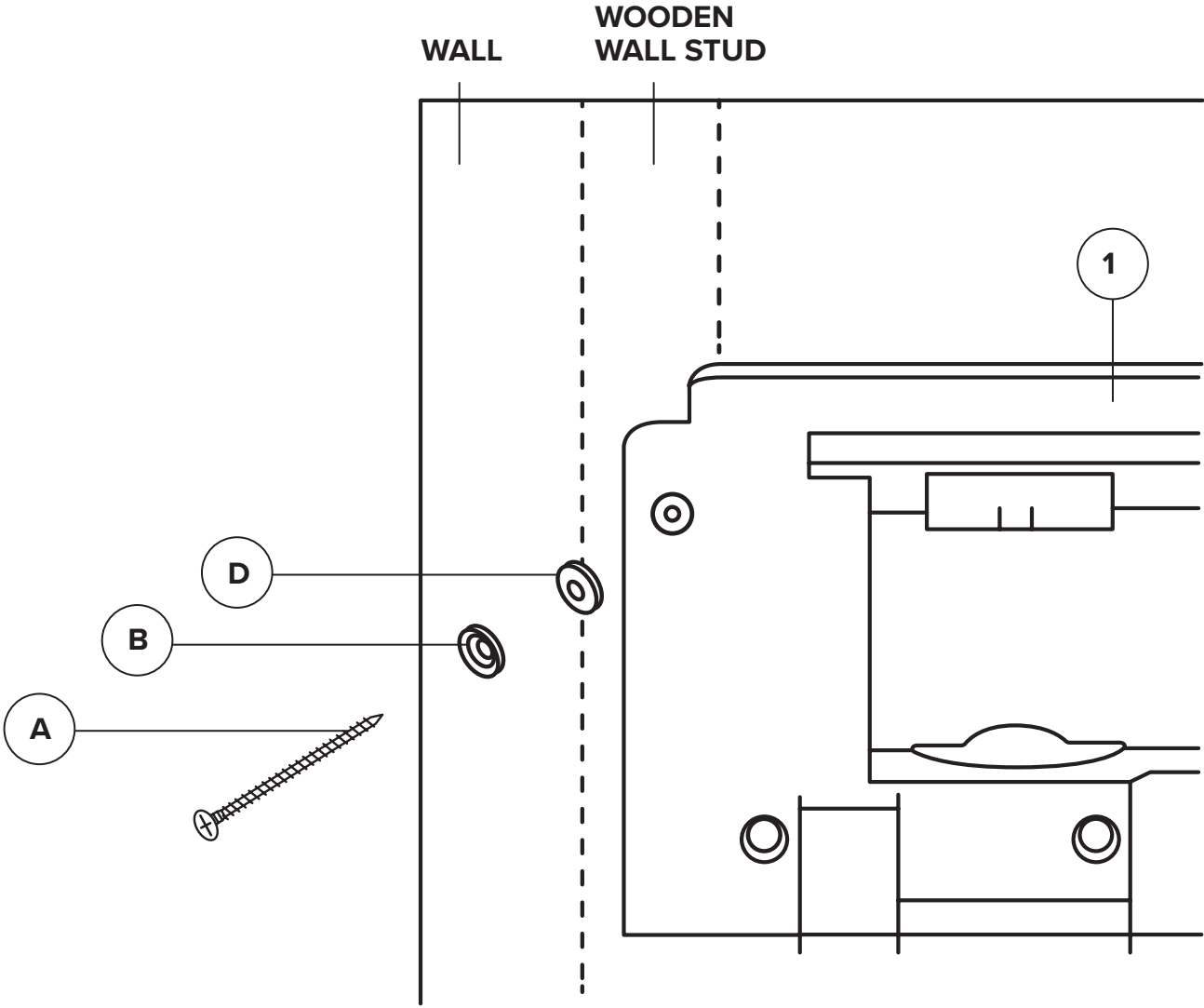
- A. Use a power drill and appropriate bit to drill four (4) holes in the wall.
B. This may require two (2) people.

NOTE 1: FOR WOOD STUDS:

- If the finished wall surface is tile or masonry over wood studs, use a 7/32" masonry bit for the pilot hole until you hit the wood stud, then change it to a 1/8" bit.
- Use Wood Screws (A), finishing Washers (B), and Flat Washers (D) (See Figure A on page 4).

Installation Instructions

FIGURE A




Installation Instructions

NOTE 2: FOR USE WITH TOGGLE ANCHORS (E):

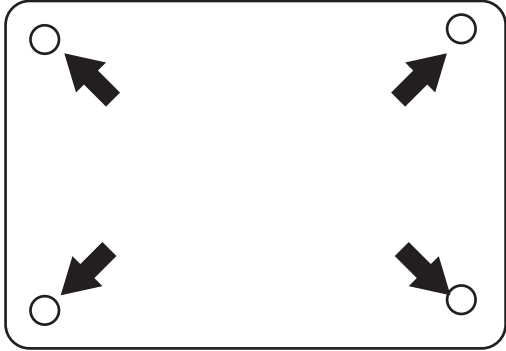
- If the finished wall surface has wood studs that are not 16" on center, has metal studs, or has an underlying surface of concrete block, use ½" bit.
- Use Machine Screws (C) and Flat Washers (D) (See Figure B on page 6).
- For holes NOT located in a wood stud, Toggle Anchors (E) MUST be used (See Figure C on page 7). See "Using Toggle Anchors" section.

STEP 6:

- A. Align holes in Changing Station (1) with drilled holes and secure top left corner of Changing Station (1) to wall stud using the appropriate screw and washer.
- B. Continue to secure the three (3) remaining corners using the proper screws and washers as described in NOTE 1 or NOTE 2.

 **WARNING:**

ALL 4 OF THESE LOCATIONS MUST BE USED FOR SAFE INSTALLATION. THE LOWER HOLES ENSURE INSTALLATION THROUGH THE METAL BRACKETS.

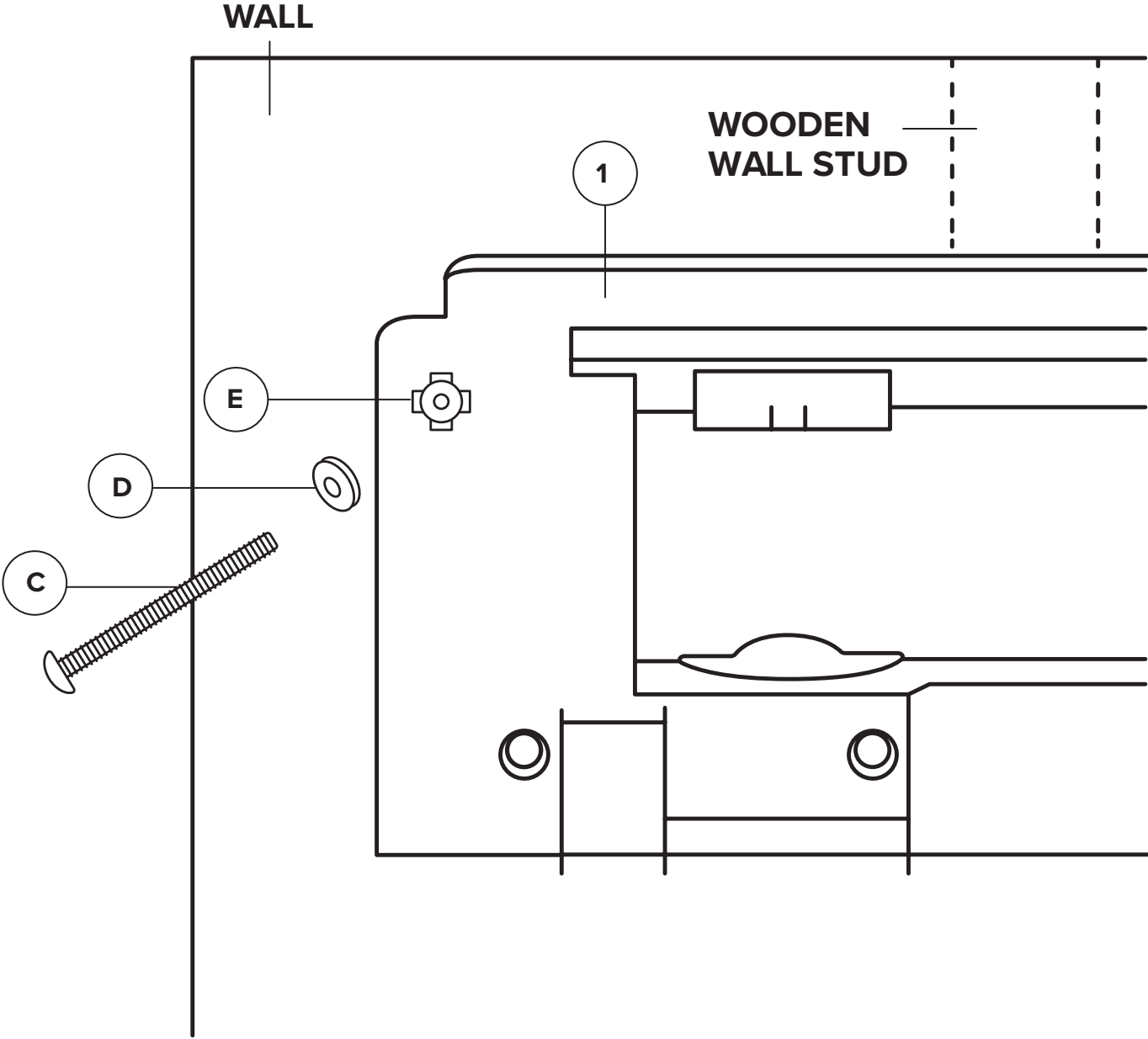


STEP 7:

- A. Ensure all four (4) screws are tight and snap the Caps (F) over the screw heads.

Installation Instructions

FIGURE B

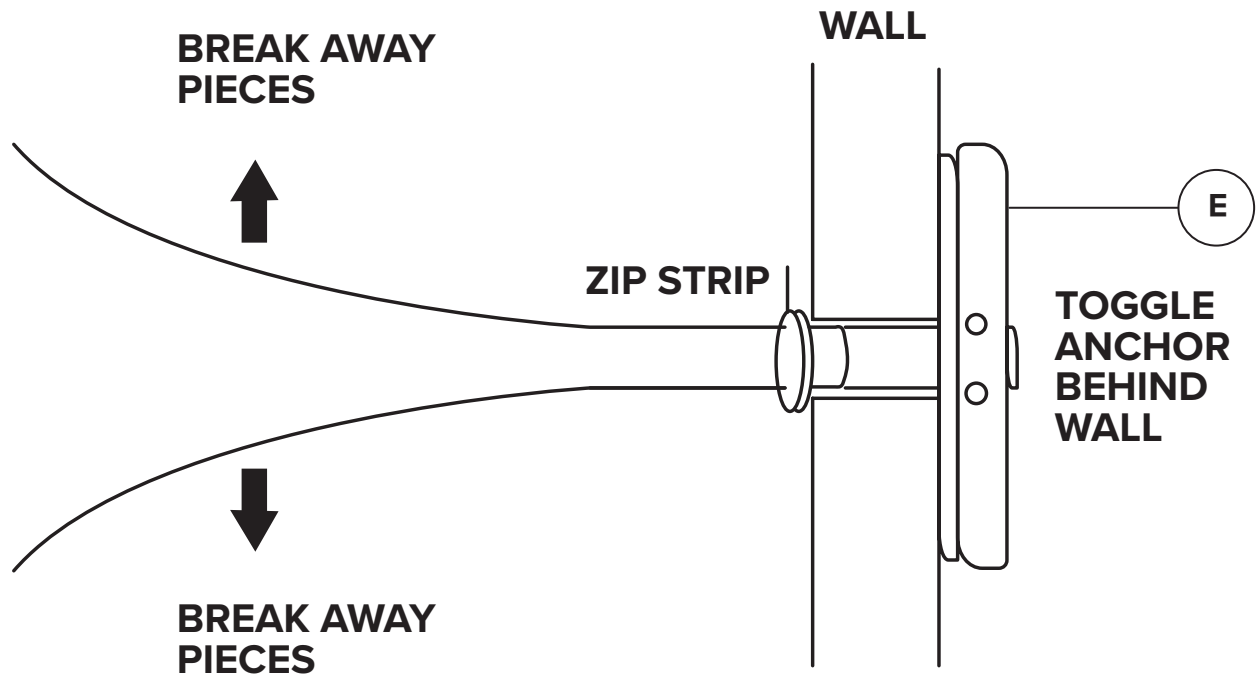


Installation Instructions

USING TOGGLE ANCHORS:

1. Insert the metal end of the Toggle Anchor (E) into the 1/2" hole.
2. Slide zip strip down snugly against the wall.
3. Snap off break-away pieces of Toggle Anchor (E) (See Figure C below).
4. Ensure all four (4) screws are tight and snap Caps (F) over screw heads.
5. Align holes on the Changing Station (1) with Toggle Anchors (E) and secure top left corner of the Changing Station (1) to the wall using Machine Screws (C) and Flat Washers (D).
6. Continue to secure the three (3) remaining corners using Machine Screws (C) and Flat Washers (D).

FIGURE C

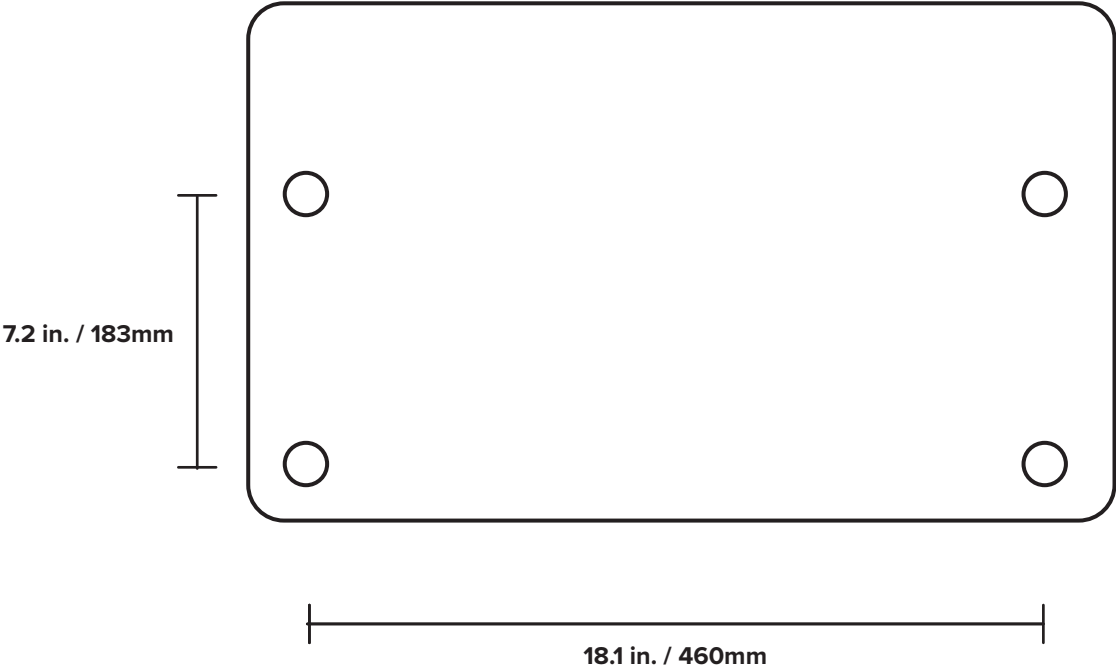


Installation Instructions

RECOMMENDED BLOCKING

- 1. If the walls do not have studs on center, additional blocking is necessary (See Figure D below).
- 2. Contact an architect or building contractor to make sure the blocking is adequate and complies with building codes.

FIGURE D



Operation Instructions

1. Rotate base downward and place the infant on top of the changing surface.
2. Use restraint system as described below. After the child has been changed, remove the restraint system, and rotate the base back up against the wall.

USING THE RESTRAINT SYSTEM:

1. Place the child so that the restraint strap is located at the abdomen.
2. Rotate the top of the buckle upward and insert the strap in the buckle.
3. Pull the strap through the buckle until snug against the infant.
4. Rotate the top of the buckle downward to lock the strap into place.
5. Slide the yellow locking tab over top of the buckle.
6. Reverse these steps to loosen the strap.

Maintenance and Cleaning

1. Clean by using a damp cloth with mild soap or mild multi-purpose cleaner.
2. Do not use any strong chemical cleaners or cleaning agents that may be hazardous to children.
3. Check all hardware and components monthly or as required to ensure the hardware is tight and there are no missing or damaged pieces.
4. Take unit out of service if any element is missing or damaged and contact customer service to order replacement parts. Do not substitute parts



WARNING:

- **A child should never be left unattended.**
- **Always use a restraint system to avoid serious injury from fall or sliding out.**
- **The weight limit is 50 pounds (22.7 kg): avoid adding parcels/packages/ accessories to the unit or the bag hooks that exceed the weight limit.**
- **It may cause unit to become unstable or hazardous conditions to occur.**

Limited Warranty

1. Alpine Industries (the company) warrants to the purchaser that the product will be free from defects in workmanship and materials for a period of one (1) year from the date of purchase.
2. These warranties are not assignable or transferable to any other person.
3. Any damage to the product as a result of misuse, tampering, abuse, neglect, accident, improper installation, modification, unauthorized service, destruction, or the alteration of the serial number, or use violate of the instructions furnished by the Company will void this warranty.
4. The sole responsibility of the Company shall be limited to the repair or replacement (in its sole discretion) of any component of the product which fails to conform to this warranty at no cost to the purchaser for the period of the warranty.
5. Contact the Company directly to obtain service under this warranty. If it becomes applicable to send a defective product to the Company, a Return Authorization Number must first be obtained from the company. In order to obtain service under this warranty, purchaser must provide the Company with the following items (a) proof of purchase, (b) police or fire department report, (c) photographs of damaged sad, and (d) written testimonial.
6. Products shipped without prior Return Authorization and Return Authorization Number may not be accepted, and the Company will not be responsible for their disposition and/or cost of return to the owner.
7. The Company will not assume any responsibility for any loss or damage incurred in shipping. All return authorized products should include a copy of the original invoice in order that this warranty may be Honored.
8. This warranty is not an insurance policy. The Company is not responsible for any manner of damage to or theft of the Purchaser's product or its contents.
9. We recommend that the product being returned is accompanied by the sales receipt with all relevant information regarding the purchase of the item and is returned to the Company within ten (10) days of the claim date of purchase to validate this warranty.
10. Any implied warranties that the purchaser may have are limited to the duration of the warranties described above. There are no further warranties that extend or apply beyond the face hereof, and the company expressly disclaims and excludes any and all warranties of merchantability or fitness for a particular purpose. Some states do not allow limitations on how long an implied warranty lasts, so the above limitation may not apply to you.
11. Repair or replacement shall be the sole remedy for the purchaser under this warranty. The company shall not be liable for any direct, indirect, incidental or consequential damages, losses or expense arising from the use or misuse of the product. Some states do not allow the exclusion or limitations of incidental or consequential damages, so the limitation may not apply to you.
12. This warranty gives you specific legal rights, and you may also have other rights which vary from state to state.

Disclaimer

By purchasing products from Alpine Industries, user agrees as follows:

TO THE MAXIMUM EXTENT PERMITTED BY LAW, THE PRODUCTS AND INFORMATION ON THIS SITE IS PROVIDED "AS IS" AND WITH ALL FAULTS AND ALPINE INDUSTRIES. MAKES NO PROMISES, REPRESENTATIONS, OR WARRANTIES, EITHER EXPRESS, IMPLIED, STATUTORY, OR OTHERWISE, WITH RESPECT TO THE PRODUCTS AND INFORMATION, INCLUDING ITS CONDITION, ITS CONFORMITY TO ANY REPRESENTATION OR DESCRIPTION, OR THE EXISTENCE OF ANY LATENT OR PATENT DEFECTS, AND ALPINE INDUSTRIES. SPECIFICALLY DISCLAIMS ALL IMPLIED (IF ANY) WARRANTIES OF TITLE, MERCHANTABILITY, NON INFRINGEMENT, FITNESS FOR A PARTICULAR PURPOSE, ACCURACY OR COMPLETENESS, QUIET ENJOYMENT, AND QUIET POSSESSION. THE ENTIRE RISK ARISING OUT OF USE OR PERFORMANCE OF THE PRODUCTS AND INFORMATION LIES WITH USER.

TO THE MAXIMUM EXTENT PERMITTED BY LAW, IN NO EVENT SHALL ALPINE INDUSTRIES PRODUCTS OR ITS SUPPLIERS BE LIABLE FOR CONSEQUENTIAL, INCIDENTAL, SPECIAL, INDIRECT, OR EXEMPLARY DAMAGES WHATSOEVER ARISING OUT OF OR IN ANY WAY RELATING TO THIS AGREEMENT OR USER'S USE OF OR INABILITY TO USE THE PRODUCTS AND INFORMATION, OR THE PROVISION OR FAILURE TO PROVIDE SUPPORT SERVICES, INCLUDING, BUT NOT LIMITED TO, LOST PROFITS, LOSS OF CONFIDENTIAL OR OTHER INFORMATION, BUSINESS INTERRUPTION, PERSONAL INJURY, LOSS OF PRIVACY, FAILURE TO MEET ANY DUTY (INCLUDING OF GOOD FAITH OR REASONABLE CARE), NEGLIGENCE, COSTS OF PROCUREMENT OF SUBSTITUTE GOODS OR SERVICES, OR ANY OTHER CLAIM FOR PECUNIARY OR OTHER LOSS WHATSOEVER, OR FOR ANY CLAIM OR DEMAND AGAINST USER BY ANY OTHER PARTY, EVEN IF ALPINE INDUSTRIES HAS BEEN ADVISED OF THE POSSIBILITY OF SUCH DAMAGES. THESE LIMITATIONS SHALL APPLY NOTWITHSTANDING ANY FAILURE OF ESSENTIAL PURPOSE OF ANY LIMITED REMEDY.

NOTWITHSTANDING ANY DAMAGES USER MAY INCUR FOR ANY REASON WHATSOEVER (INCLUDING, WITHOUT LIMITATION, ALL DAMAGES REFERENCED ABOVE AND ALL DIRECT OR GENERAL DAMAGES), THE ENTIRE LIABILITY OF ALPINE INDUSTRIES AND ANY OF ITS SUPPLIERS UNDER ANY PROVISION OF THIS AGREEMENT AND YOUR EXCLUSIVE REMEDY FOR ALL OF THE FOREGOING SHALL BE LIMITED TO THE GREATER OF THE AMOUNT ACTUALLY PAID FOR THE PRODUCTS AND INFORMATION OR U.S. \$1. THE FOREGOING LIMITATIONS, EXCLUSIONS, AND DISCLAIMERS SHALL APPLY TO THE MAXIMUM EXTENT PERMITTED BY APPLICABLE LAW, EVEN IF ANY REMEDY FAILS ITS ESSENTIAL PURPOSE.

If any provision of this Agreement is declared invalid or unenforceable, the remaining provisions of this Agreement will

remain in effect. Alpine Industries has the right to modify these terms and conditions at any time.



ALP411-E

27 Selvage Street • Irvington, NJ • 07111 • © 2021 Alpine Industries.

alpineindustries.com