



# LDG-8 Receiver operating manual

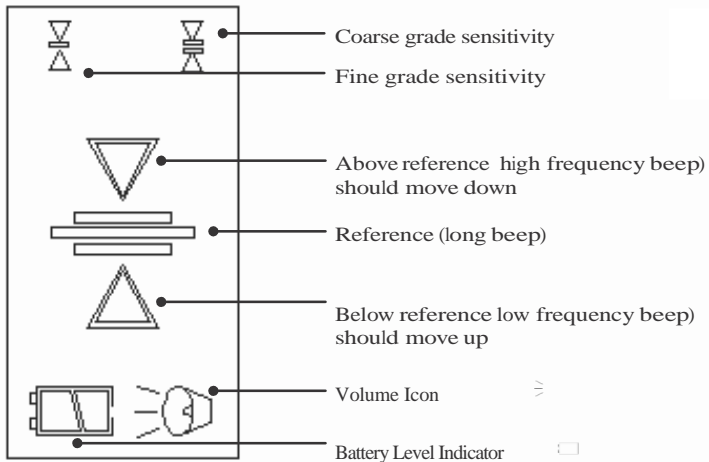
[www.adirpro.com](http://www.adirpro.com)



## Specifications

<b>Weight</b>	7.1 oz
<b>Dimensions</b>	2.75" x 5.5" x 1"
<b>Housing</b>	Plastic rubber with trimming
<b>Accuracy</b>	Fine: $\pm 1$ mm; Coarse: $\pm 2.5$ mm
<b>Power Source</b>	(1) 9V battery
<b>Battery Life</b>	40 hours (approx)
<b>Low Battery Indicator</b>	Yes
<b>Operating Temperature</b>	14°F-122°F (-10°C~50°)
<b>Volume Settings</b>	Loud & low
<b>Display</b>	Liquid crystal
<b>Automatic Shut-Off</b>	Approx 10 minutes
<b>Warranty</b>	Limited lifetime
<b>Included</b>	Laser detector, clamp, (1) 9V battery

## LCD Display



## Control Panel



Magnetic strip – Allow you to affix receiver on any metal surface

LCD - Front display shows the elevation, grade sensitivity, audio, and battery status

Laser Receptor - Hold the laser receptor. Face the rotary laser to measure the accuracy

Mark - The marking notch is 4.5 mm (1.75”) from the top of the receiver

Accuracy Mode – Switch between ultra fine and very coarse accuracy

Bubble level – An extra measure of leveling accuracy

Volume - Press this, volume will switch between high noise and low noise

Speaker – The sound comes out of this opening

Power ON/OFF - multi-functional button that is used to turn on/off

## Back Panel



LCD –Back display shows the elevation, grade sensitivity, audio, and battery status

1/4" Thread mounting nut – The clamp securely attaches here

Battery compartment – Holds the battery securely in place

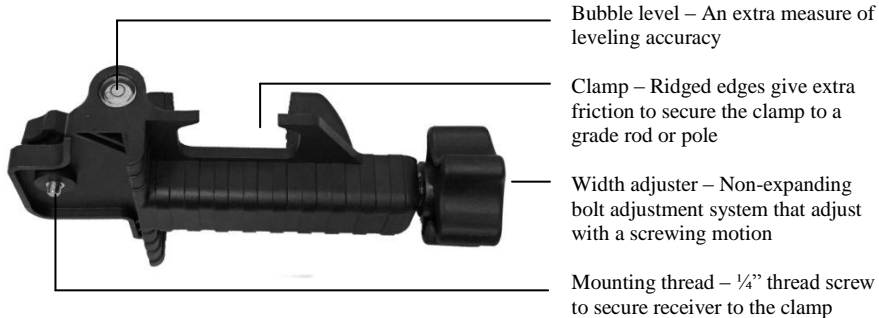


1. Open the battery door using a coin or your thumbnail.
2. Install/Remove the 9V battery noting the positive (+) and negative (-) diagram inside the housing.
3. Push down on the battery door until it “clicks” into position.

## General Purpose Clamp

The general purpose clamp allows the receiver to be attached to a grade rod or wooden pole.

### Features and Functions





**AdirPro**

**AdirPro**

**Irvington NJ 07111**

**customersupport@adircorp.com**

**www.adirpro.com**