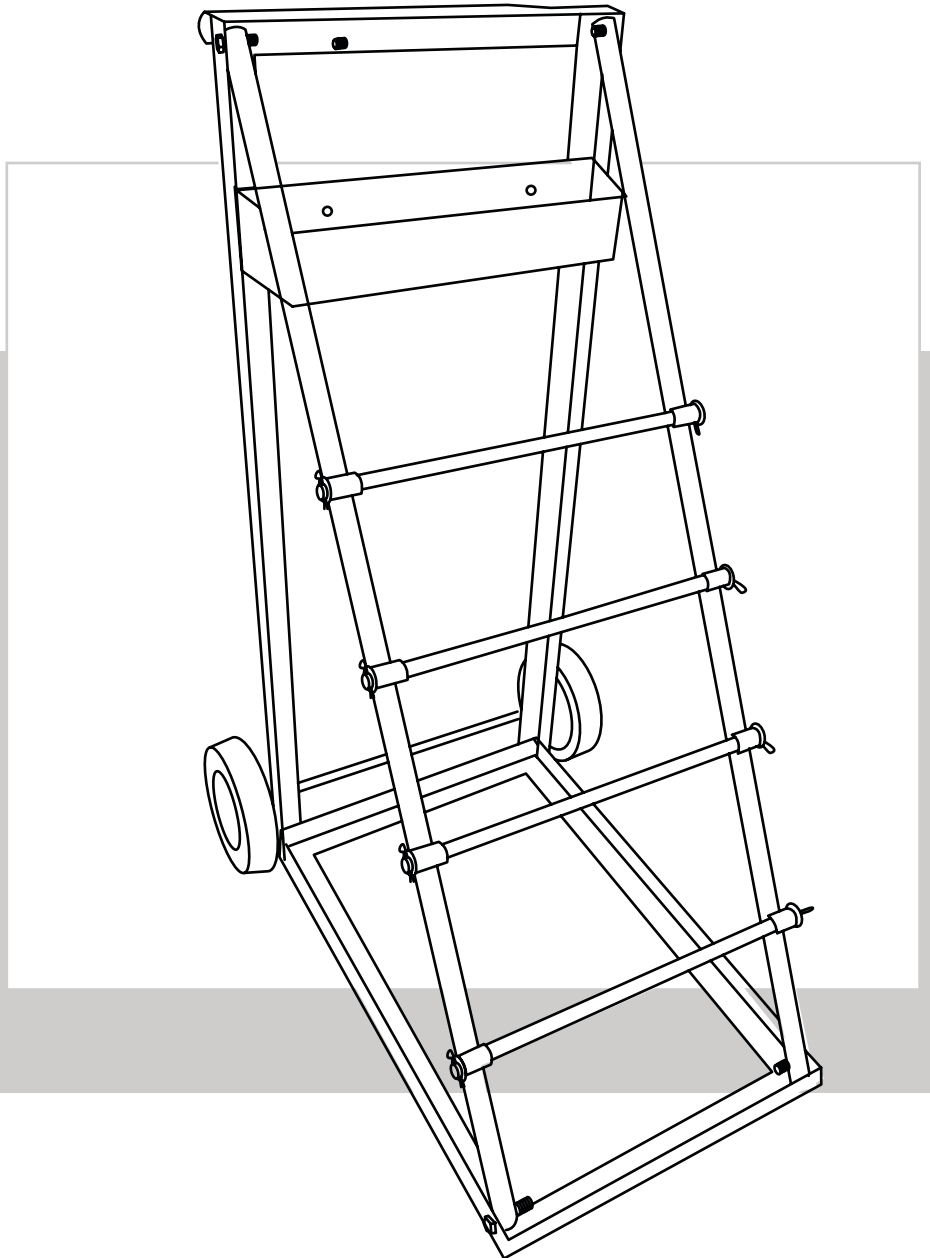


# WIRE REEL CADDY WITH HANDLE AND TOOL TRAY

Assembly Guide



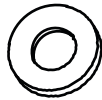
Model # 696-02



# KIT CONTENTS:



Pin (x8)



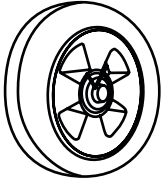
Washer (x4)



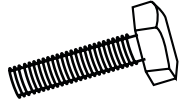
M10 Bolt (x8)



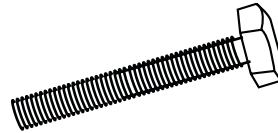
M8 Nut (2)



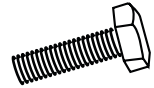
Wheel (x2)



M10\*20 Bolt (x4)



M10\*40 Bolt (4)



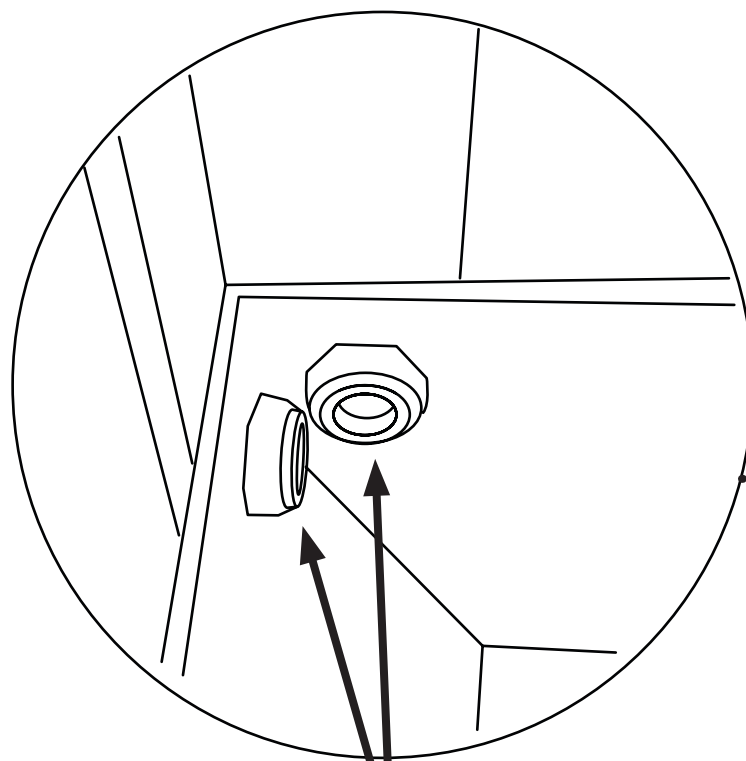
M8\*15 Bolt (2)



Wheel Pin (x2)

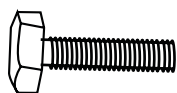
## STEP 1: ATTACH HANDLE

- Connect the handle to the frame using the **M10\*20 Bolts** and **Nuts**.



Handle

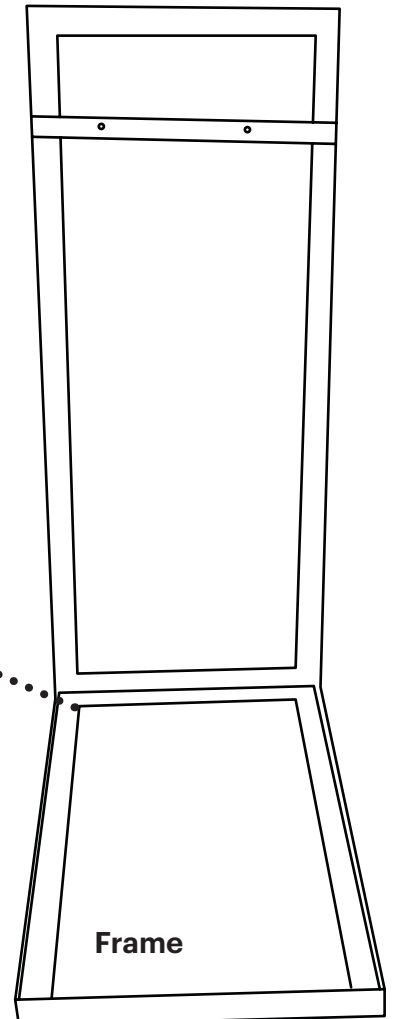
M10\*20 Bolt



M10 Nut

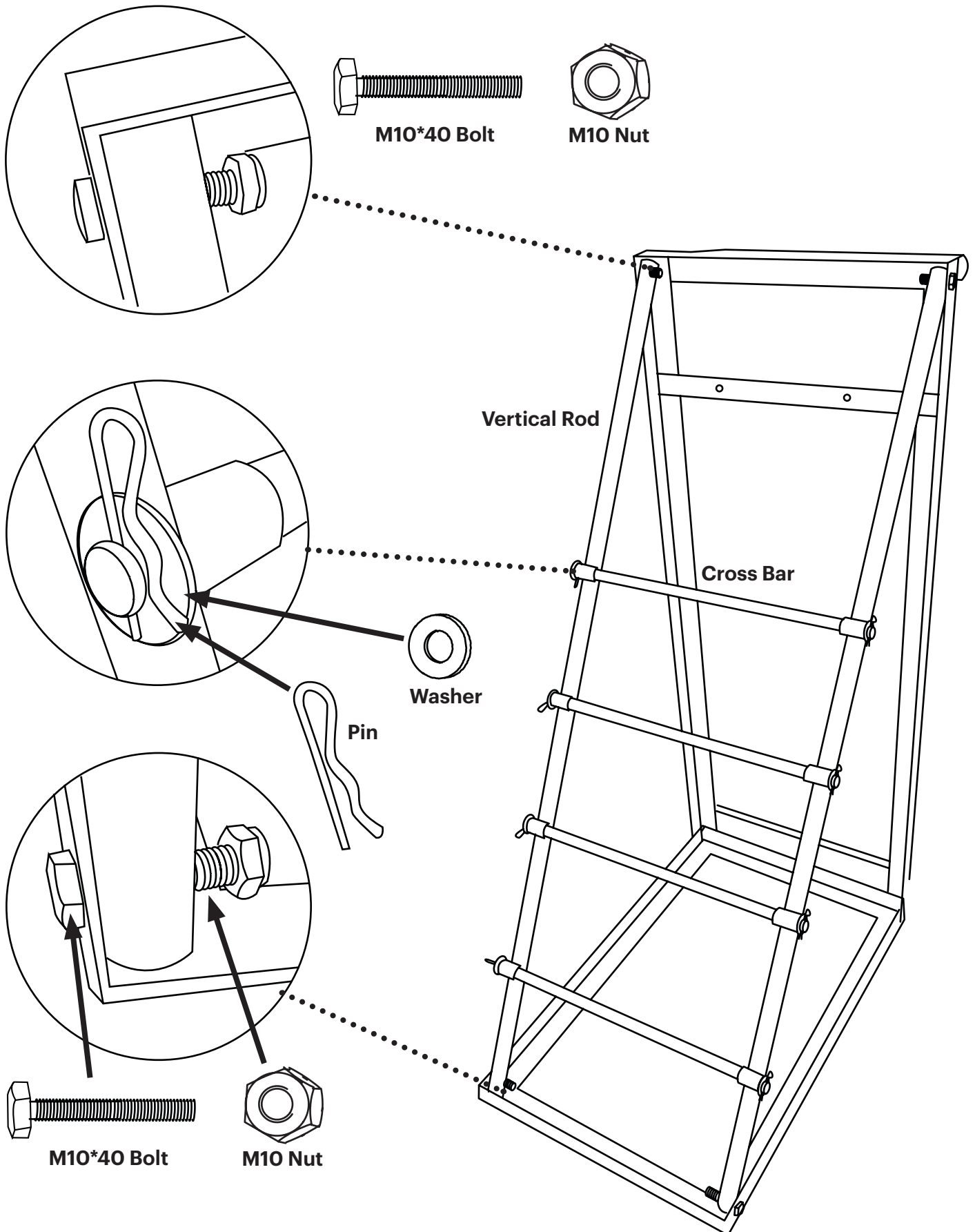


Frame



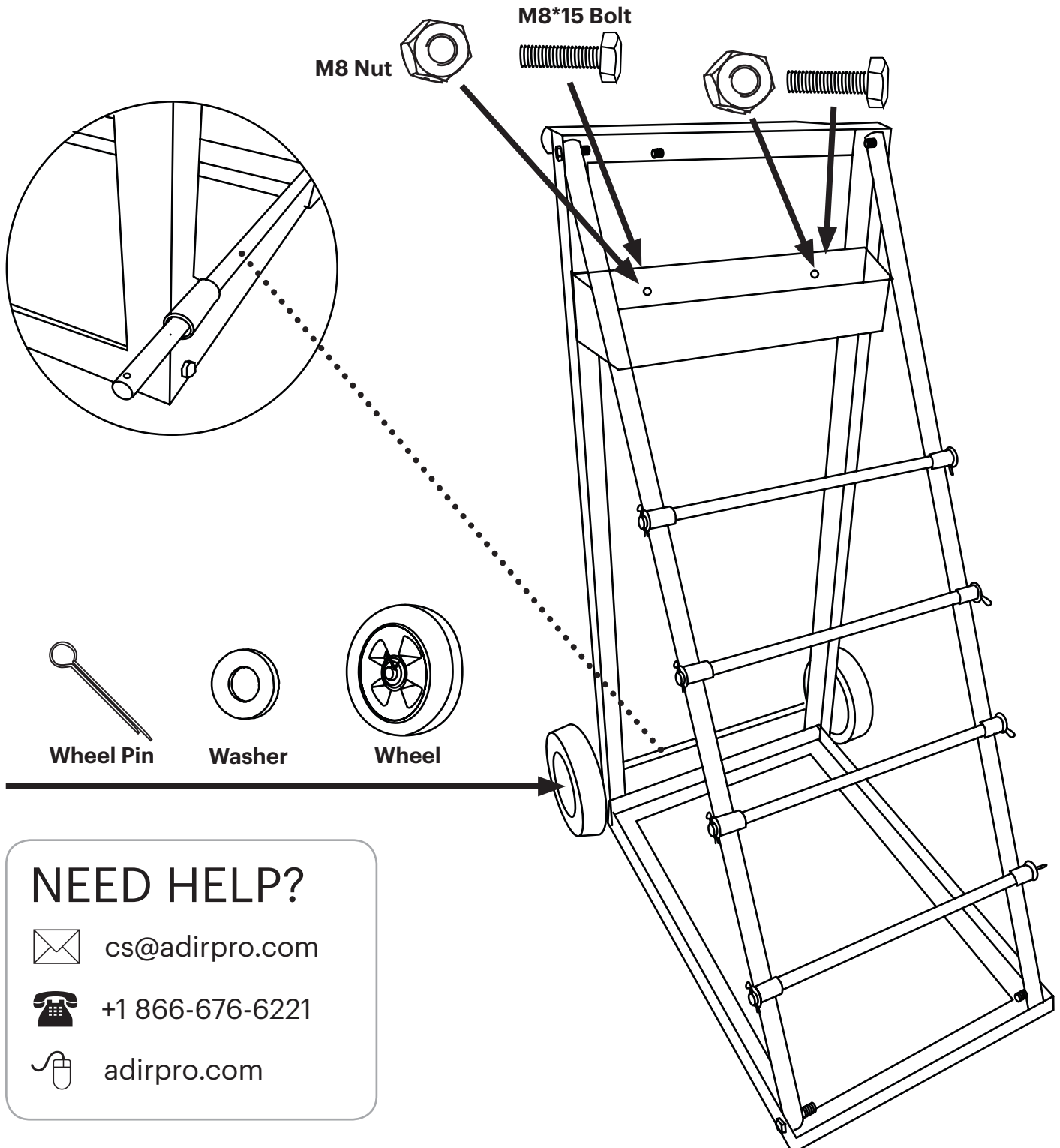
# STEP 2: VERTICAL RODS AND CROSS BARS

- Connect the vertical rods to the frame using the **M10\*40 Bolts** and **Nuts**.
- Attach the cross bars using the **Pins** and **Washers**.



# STEP 3: ATTACH WHEELS AND TOOLBOX

- Pass the axle bar through the bottom of the handle in the bottom/back portion of the assembly from STEP 2.
- Insert **Wheels** over the left and right side of the axle. Secure the **Wheels** the **Wheel Pins** and **Washers**.
- Attach the toolbox using the **M8\*15 Bolts** and **Nuts**.
- Your **AdirPro Wire Reel Caddy with Handle and Tool Tray** is ready to use.



## NEED HELP?



cs@adirpro.com



+1 866-676-6221



adirpro.com