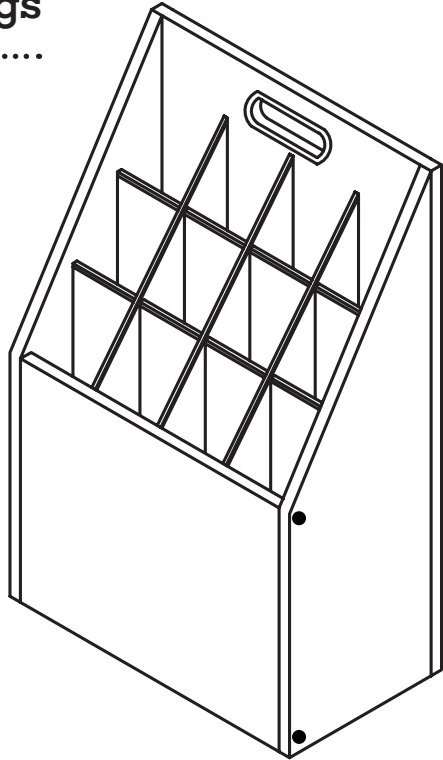




Wooden Upright Roll File

With 12 Openings



ADI627

USER GUIDE



Thank you for your purchase.

.....

**AdirOffice has a commitment to
delivering quality and stylish office
furniture and equipment.**

.....



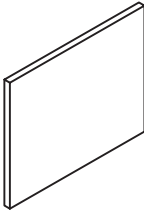

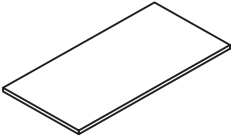
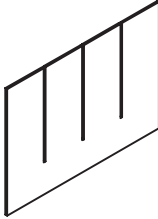
We understand starting and maintaining a business is expensive enough. We can help you make it cost effective and beautiful. Plus, our expert team makes sure everything you need works as efficiently as possible.

Table of Contents

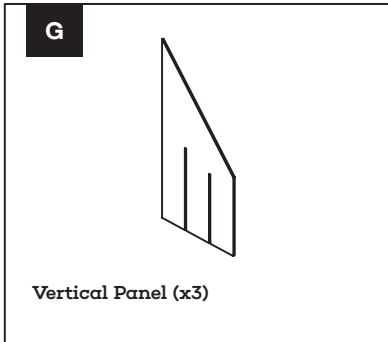
1	Parts and Hardware
3	Assembly Instructions
12	Notes
15	Limited Warranty
16	Disclaimer

Parts and Hardware

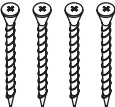
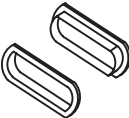




Parts:

<p>A</p>  <p>Left Side Panel</p>	<p>B</p>  <p>Right Side Panel</p>
<p>C</p>  <p>Front Panel</p>	<p>D</p>  <p>Back Panel</p>
<p>E</p>  <p>Bottom Panel</p>	<p>F</p>  <p>Horizontal Panel (x 2)</p>

Parts and Hardware



Hardware:

<p>1</p>  <p>M4 x 45MM Screw (x 10)</p>	<p>2</p>  <p>Handle</p>	<p>3</p>  <p>Screw Hole Cover (x 10)</p>
<p>4</p>  <p>Horizontal Edge Channel (x 2)</p>	<p>5</p>  <p>Vertical Edge Channel (x 3)</p>	<p>5</p>  <p>PVC Nail Leg (x 4)</p>

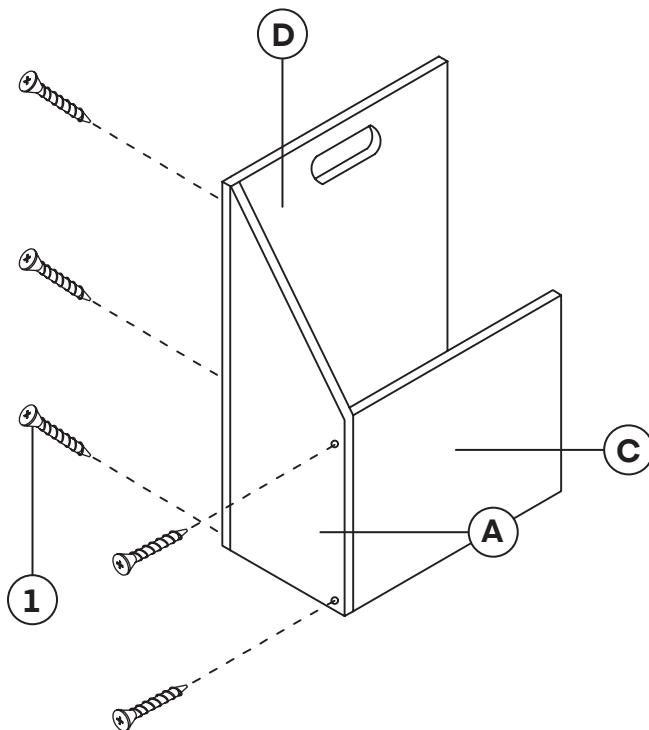
Tools Required (But Not Included)

- Phillips Head Screwdriver
- Hammer

Assembly Instructions

STEP 1:

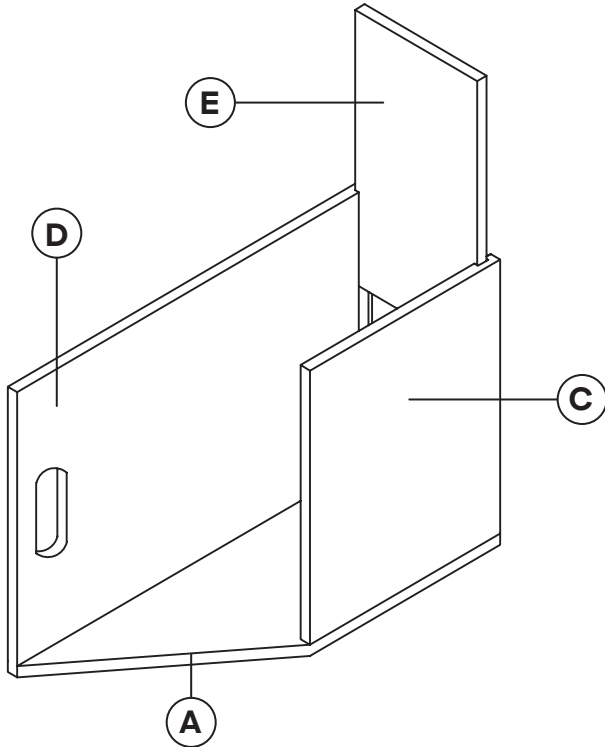
- A. Locate the Left Side Panel (A), the Front Panel (C), the Back Panel (D), and 5 M4 x 45mm Screws (1).
- B. Connect the Front Panel (C) to the Left Side Panel (A) using M4 x 45mm Screws (1) and a screwdriver.
- C. Next, connect the Left Side Panel (A) to the Back Panel (D) using three M4 x 45mm Screws (1) and a screwdriver.
- D. Ensure all five screws are secure before continuing.



Assembly Instructions

STEP 2:

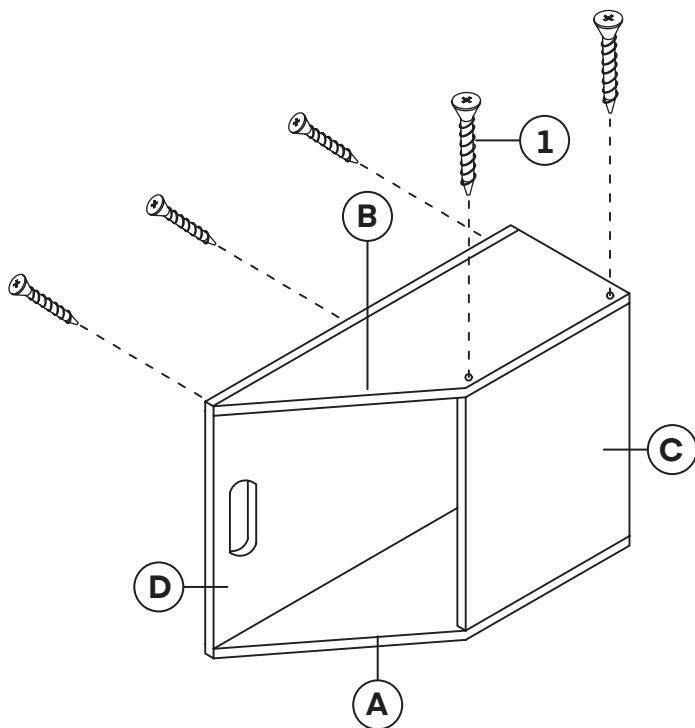
- A. Turn the assembled structure so that it's lying down on the Left Side Panel (A).
- B. Locate and slide in the Bottom Panel (E) in between the grooves located between the Back Panel (D) and the Front Panel (C), as pictured



Assembly Instructions

STEP 3:

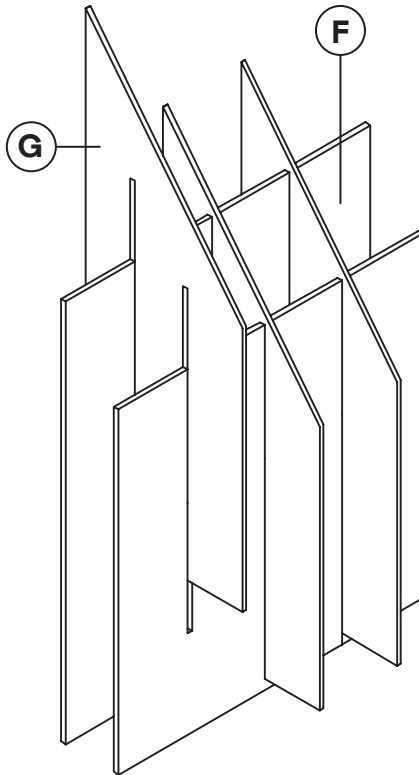
- A. Locate and place the Right Side Panel (B) on top of the assembled structure, as pictured.
- B. Insert and tighten two M4 x 45mm Screws (1) into the predrilled holes, with the assistance of a screwdriver, to connect the Right Side Panel (B) and the Front Panel (C).
- C. Insert and tighten three M4 x 45mm Screws (1) into the predrilled holes, with the assistance of a screwdriver, to connect the Back Panel (D) to the Right Side Panel (B).



Assembly Instructions

STEP 4:

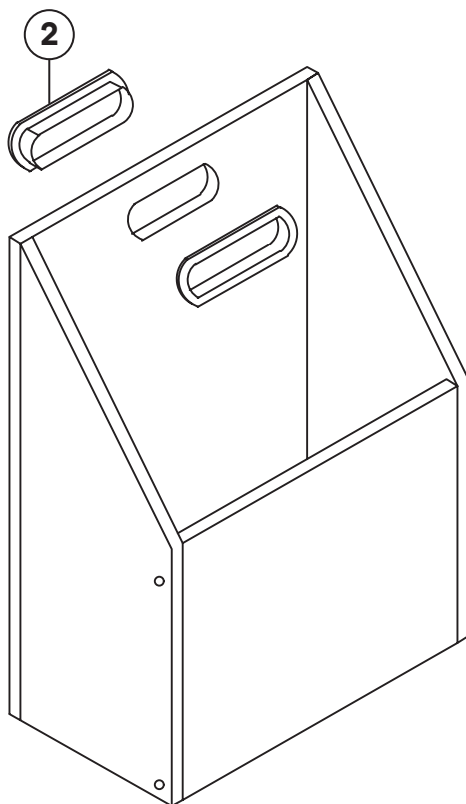
- A. Turn the assembled structure so that it's resting on the Bottom Panel (E).
- B. Locate both Horizontal Panels (F) and all three Vertical Panels (G).
- C. Stand both Horizontal Panels (F) upright and insert each Vertical Panel (G) into the slots until they are all flush, as pictured.



Assembly Instructions

STEP 5:

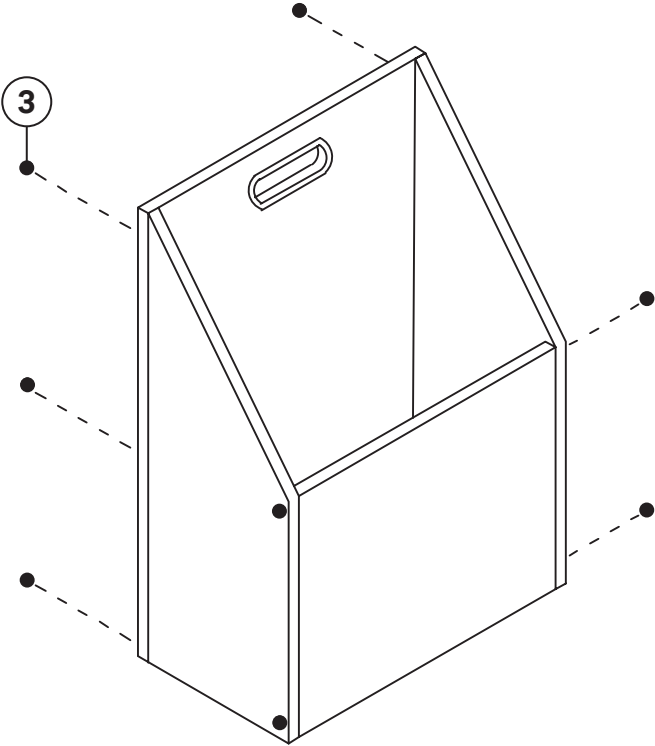
- A. Locate the Handle (2) assembly and insert each piece of the Handle (2) into the pre-cut hole, as shown, until secure.



Assembly Instructions

STEP 6:

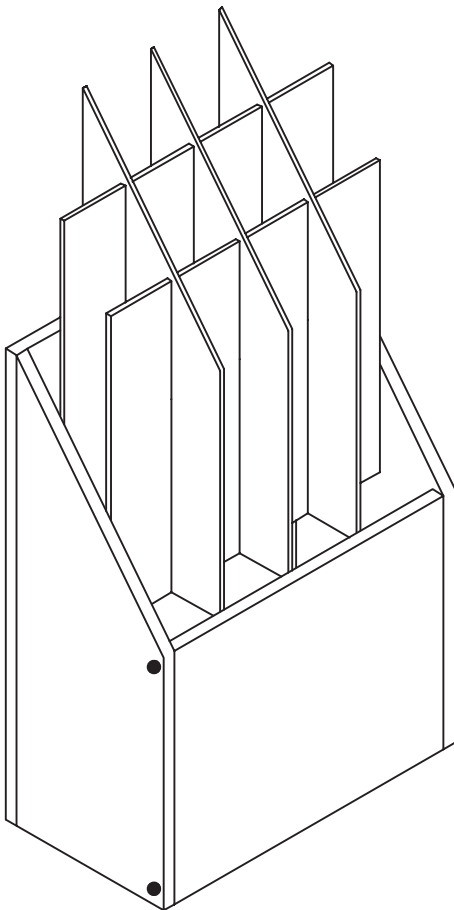
- A. Locate and insert all of the Screw Hole Covers (3) into each screw hole, as shown.
- B. If needed, gently tap them in with a hammer until they are flush with the structure.



Assembly Instructions

STEP 7:

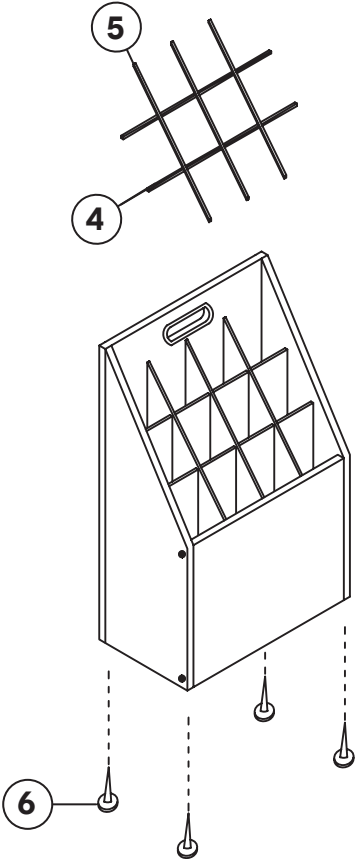
- A. Place the horizontal and vertical panel assembly into the assembled role file, as shown.



Assembly Instructions

STEP 8:

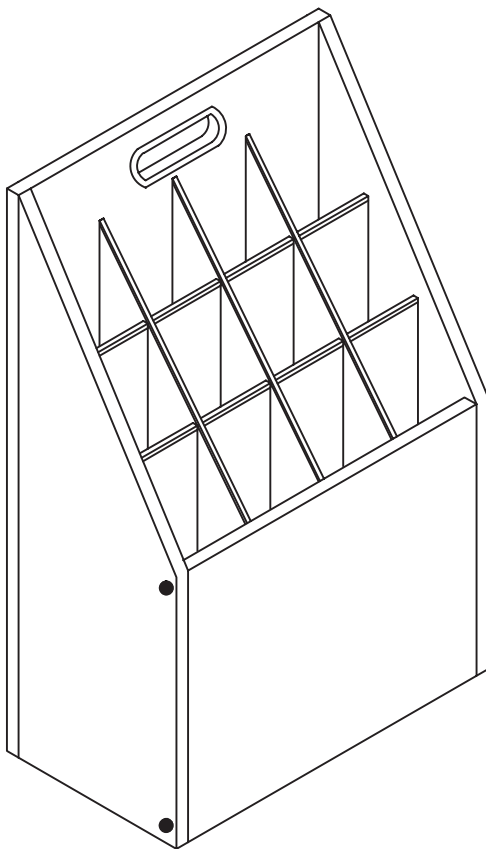
- A. Locate and slide the Horizontal Edge Channels (4) and Vertical Edge Channels (5) until secure, as shown.
- B. Lay the structure on the Back Panel (D) and insert all 4 PVC Nail Legs (6).
- C. If needed, gently tap them in with a hammer until they are flush with the structure.



Assembly Instructions

STEP 9:

- A. Rest the assembled structure on the PVC Nail Legs (6), and your Wooden Upright Role File with 12 Openings is ready to use.



Limited Warranty

1. AdirCorp (the company) warrants to the purchaser that the product will be free from defects in workmanship and materials for a period of one (1) year from the date of purchase.
2. These warranties are not assignable or transferable to any other person.
3. Any damage to the product as a result of misuse, tampering, abuse, neglect, accident, improper installation, modification, unauthorized service, destruction, or the alteration of the serial number, or use violate of the instructions furnished by the Company will void this warranty.
4. The sole responsibility of the Company shall be limited to the repair or replacement (in its sole discretion) of any component of the product which fails to conform to this warranty at no cost to the purchaser for the period of the warranty.
5. Contact the Company directly to obtain service under this warranty. If it becomes applicable to send a defective product to the Company, a Return Authorization Number must first be obtained from the company. In order to obtain service under this warranty, purchaser must provide the Company with the following items (a) proof of purchase, (b) police or fire department report, (c) photographs of damaged sad, and (d) written testimonial.
6. Products shipped without prior Return Authorization and Return Authorization Number may not be accepted, and the Company will not be responsible for their disposition and/or cost of return to the owner.
7. The Company will not assume any responsibility for any loss or damage incurred in shipping. All return authorized products should include a copy of the original invoice in order that this warranty may be Honored.
8. This warranty is not an insurance policy. The Company is not responsible for any manner of damage to or theft of the Purchaser's product or its contents.
9. We recommend that the product being returned is accompanied by the sales receipt with all relevant information regarding the purchase of the item and is returned to the Company within ten (10) days of the claim date of purchase to validate this warranty.
10. Any implied warranties that the purchaser may have are limited to the duration of the warranties described above. There are no further warranties that extend or apply beyond the face hereof, and the company expressly disclaims and excludes any and all warranties of merchantability or fitness for a particular purpose. Some states do not allow limitations on how long an implied warranty lasts, so the above limitation may not apply to you.
11. Repair or replacement shall be the sole remedy for the purchaser under this warranty. The company shall not be liable for any direct, indirect, incidental or consequential damages, losses or expense arising from the use or misuse of the product. Some states do not allow the exclusion or limitations of incidental or consequential damages, so the limitation may not apply to you.
12. This warranty gives you specific legal rights, and you may also have other rights which vary from state to state.

Disclaimer

By purchasing products from AdirCorp, the user agrees as follows:

TO THE MAXIMUM EXTENT PERMITTED BY LAW, THE PRODUCTS AND INFORMATION ON THIS SITE IS PROVIDED "AS IS" AND WITH ALL FAULTS AND ADIRCORP. MAKES NO PROMISES, REPRESENTATIONS, OR WARRANTIES, EITHER EXPRESS, IMPLIED, STATUTORY, OR OTHERWISE, WITH RESPECT TO THE PRODUCTS AND INFORMATION, INCLUDING ITS CONDITION, ITS CONFORMITY TO ANY REPRESENTATION OR DESCRIPTION, OR THE EXISTENCE OF ANY LATENT OR PATENT DEFECTS, AND ADIRCORP. SPECIFICALLY DISCLAIMS ALL IMPLIED (IF ANY) WARRANTIES OF TITLE, MERCHANTABILITY, NON INFRINGEMENT, FITNESS FOR A PARTICULAR PURPOSE, ACCURACY OR COMPLETENESS, QUIET ENJOYMENT, AND QUIET POSSESSION. THE ENTIRE RISK ARISING OUT OF USE OR PERFORMANCE OF THE PRODUCTS AND INFORMATION LIES WITH USER.

TO THE MAXIMUM EXTENT PERMITTED BY LAW, IN NO EVENT SHALL ADIRCORP PRODUCTS OR ITS SUPPLIERS BE LIABLE FOR CONSEQUENTIAL, INCIDENTAL, SPECIAL, INDIRECT, OR EXEMPLARY DAMAGES WHATSOEVER ARISING OUT OF OR IN ANY WAY RELATING TO THIS AGREEMENT OR USER'S USE OF OR INABILITY TO USE THE PRODUCTS AND INFORMATION, OR THE PROVISION OR FAILURE TO PROVIDE SUPPORT SERVICES, INCLUDING, BUT NOT LIMITED TO, LOST PROFITS, LOSS OF CONFIDENTIAL OR OTHER INFORMATION, BUSINESS INTERRUPTION, PERSONAL INJURY, LOSS OF PRIVACY, FAILURE TO MEET ANY DUTY (INCLUDING OF GOOD FAITH OR REASONABLE CARE), NEGLIGENCE, COSTS OF PROCUREMENT OF SUBSTITUTE GOODS OR SERVICES, OR ANY OTHER CLAIM FOR PECUNIARY OR OTHER LOSS WHATSOEVER, OR FOR ANY CLAIM OR DEMAND AGAINST USER BY ANY OTHER PARTY, EVEN IF ADIRCORP HAS BEEN ADVISED OF THE POSSIBILITY OF SUCH DAMAGES. THESE LIMITATIONS SHALL APPLY NOTWITHSTANDING ANY FAILURE OF ESSENTIAL PURPOSE OF ANY LIMITED REMEDY.

NOTWITHSTANDING ANY DAMAGES USER MAY INCUR FOR ANY REASON WHATSOEVER (INCLUDING, WITHOUT LIMITATION, ALL DAMAGES REFERENCED ABOVE AND ALL DIRECT OR GENERAL DAMAGES), THE ENTIRE LIABILITY OF ADIRCORP AND ANY OF ITS SUPPLIERS UNDER ANY PROVISION OF THIS AGREEMENT AND YOUR EXCLUSIVE REMEDY FOR ALL OF THE FOREGOING SHALL BE LIMITED TO THE GREATER OF THE AMOUNT ACTUALLY PAID FOR THE PRODUCTS AND INFORMATION OR U.S. \$1. THE FOREGOING LIMITATIONS, EXCLUSIONS, AND DISCLAIMERS SHALL APPLY TO THE MAXIMUM EXTENT PERMITTED BY APPLICABLE LAW, EVEN IF ANY REMEDY FAILS ITS ESSENTIAL PURPOSE.

If any provision of this Agreement is declared invalid or unenforceable, the remaining provisions of this Agreement will remain in effect. AdirCorp has the right to modify these terms and conditions at any time.



Item Number: ADI627

64 Mountainview Blvd. • Wayne, NJ • 07470 • ©2021 All Rights Reserved.

adircorp.com