



.....

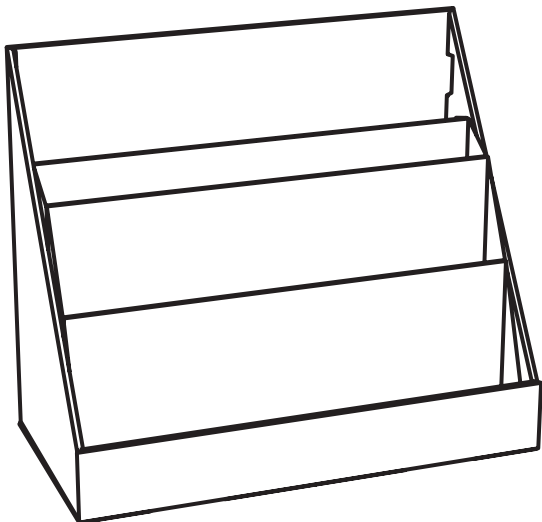
Foldable

Book Shelf

.....

ADIS05-01-SERIES

USER GUIDE





Thank you for your purchase.

.....

**AdirOffice has a commitment to
delivering quality and stylish office
furniture and equipment.**

.....

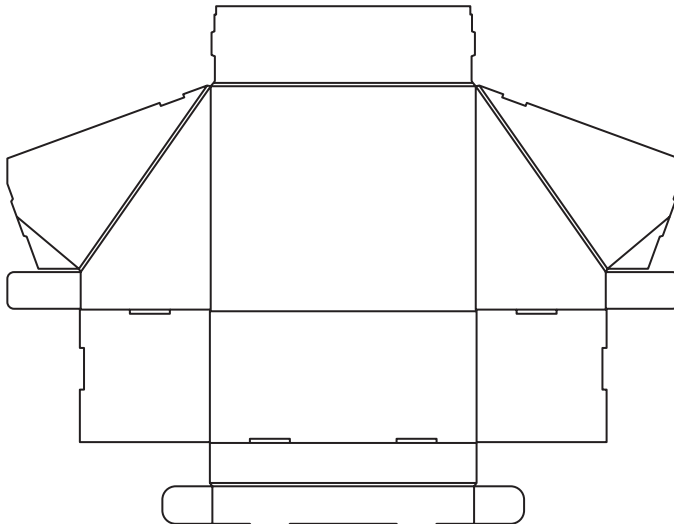
We understand starting and maintaining a business is expensive enough. We can help you make it cost effective and beautiful.

Plus, our expert team makes sure everything you need works as efficiently as possible.

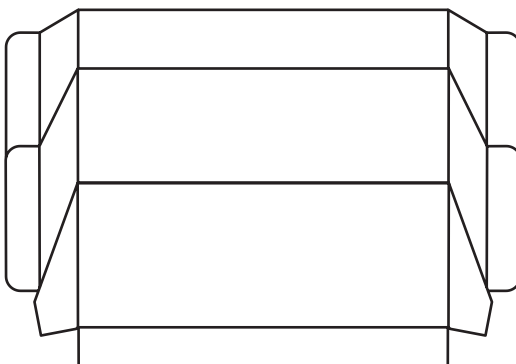
Table of Contents

- 1** Parts List
- 2** Assembly Instructions
- 7** Warranty
- 8** Disclaimer

Parts List



TRAY (1)

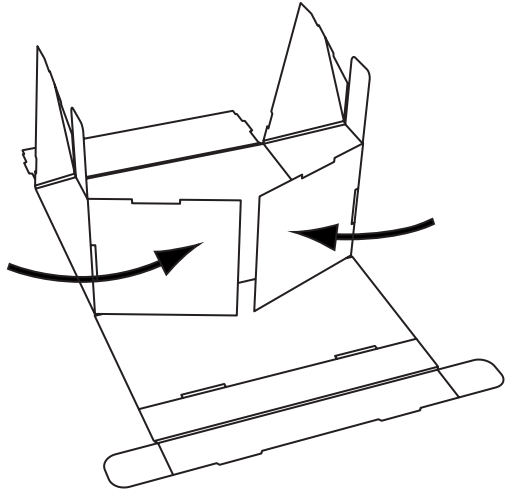


PRE-GLUED SHELVES (1)

Assembly Instructions

STEP 1

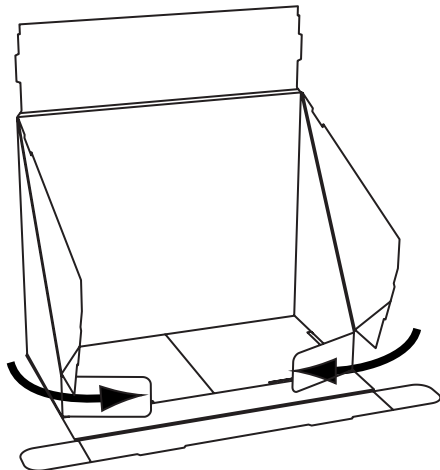
Fold the SIDES of the tray up and fold the BOTTOM FLAPS in until they meet in the middle.



STEP 2

Fold the back of the tray up so the BOTTOM FLAPS rest on the bottom of the tray.

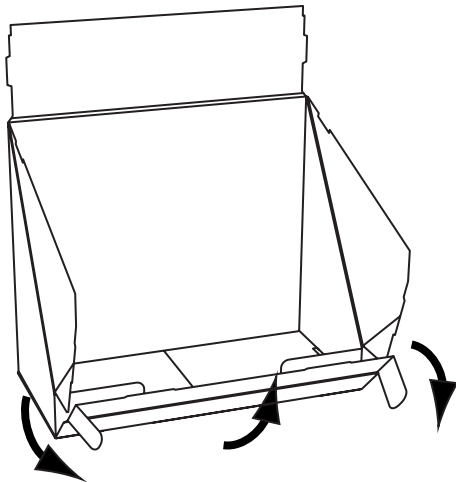
Fold the TABS in.



Assembly Instructions

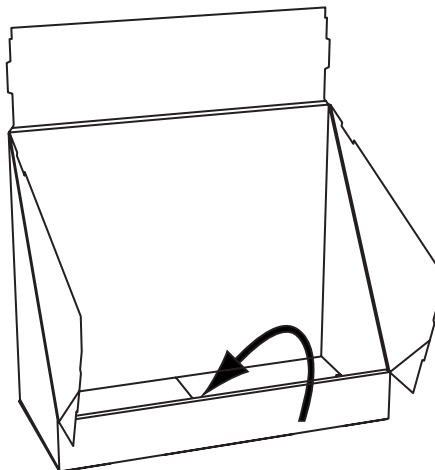
STEP 3

Fold the FRONT LIP up. Back fold the second set of TABS to get past the tray sides.



STEP 4

Roll the FRONT LIP over the TABS and lock into place. The second TABS rest against the tray sides.

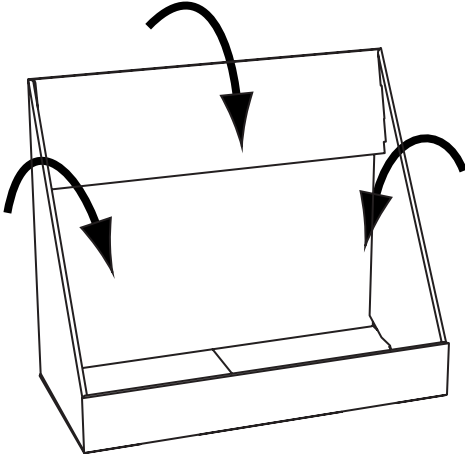


Assembly Instructions

STEP 5

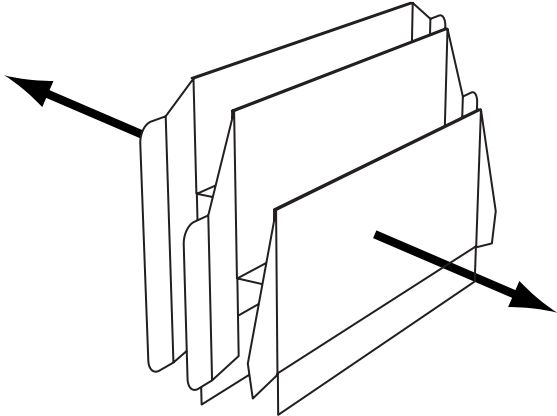
Fold the SIDE FLAPS over, then fold the BACK FLAP over and lock into place.

SET ASIDE.



STEP 6

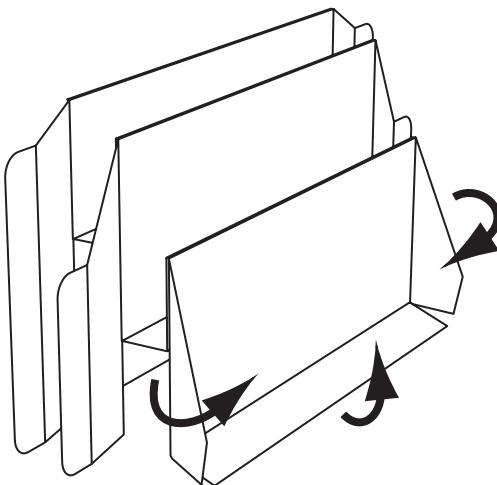
Extend the pre-glued shelves.



Assembly Instructions

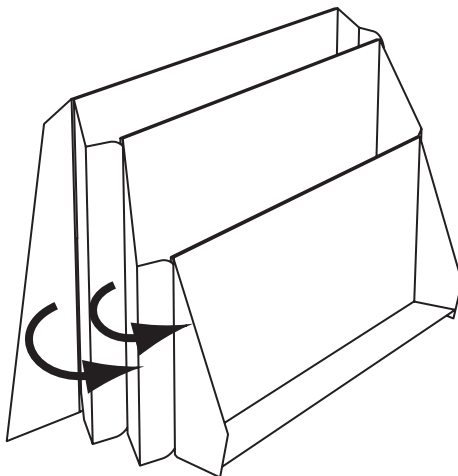
STEP 7

Back fold the
3 FLAPS to the front
of the shelves.



STEP 8

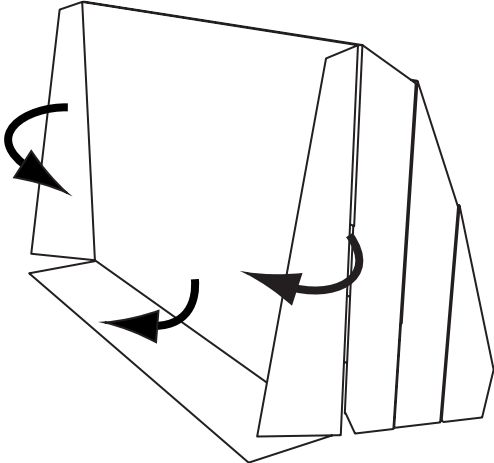
Back fold the two
MIDDLEFLAPS and
slide them between
the two layers for each
shelf. Repeat for the
other side.



Assembly Instructions

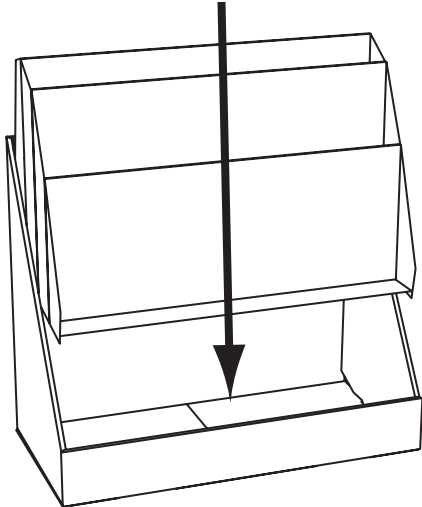
STEP 9

Fold down the remaining 3 FLAPS to the back of the shelves.



STEP 10

Set the ASSEMBLED SHELVES into the tray.



Limited Warranty

1. AdirCorp (the company) warrants to the purchaser that the product will be free from defects in workmanship and materials, before the item is unpacked and assembled, for a period of thirty (30) days from the date of purchase.
2. These warranties are not assignable or transferable to any other person.
3. Any damage to the product as a result of misuse, tampering, abuse, neglect, the alteration of the serial number, or use different from the instructions furnished by the Company will void this warranty. The Company reserves the right to evaluate the damage and make the final determination of the cause of damage.
4. The sole responsibility of the Company shall be limited to the repair or replacement (in its sole discretion) of any component of the product which fails to conform to this warranty at no cost to the purchaser for the period of the warranty.
5. Contact the Company directly to obtain service under this warranty. If it becomes under this warranty, purchaser must provide the Company with the following of damaged, and (d) written testimonial.
6. Number may not be accepted, and the Company will not be responsible for their disposition and/or cost of return to the owner.
7. The Company will not assume any responsibility for any loss or damage incurred invoice in order that this warranty may be honored.
8. This warranty is not an insurance policy. The Company is not responsible for any manner of damage to or theft of the Purchaser's product or its contents at any time.
9. We recommend that the product being returned is accompanied by the sales receipt with all relevant information regarding the purchase of the item and is returned to the Company within ten (10) days of the claim date of purchase to validate this warranty.
10. Any implied warranties that the purchaser may have are limited to the duration of the warranties described above. There are no further warranties that extend or apply beyond the face hereof, and the company expressly disclaims and excludes states do not allow limitations on how long an implied warranty lasts, so the above limitation may not apply to you.
11. Repair or replacement shall be the sole remedy for the purchaser under this warranty. The company shall not be liable for any direct, indirect, incidental or consequential damages, losses or expense arising from the use or misuse of the product. Some states do not allow the exclusion or limitations of incidental or consequential damages, these laws vary from state to state

Disclaimer

By purchasing products from AdirCorp, user agrees as follows:

TO THE MAXIMUM EXTENT PERMITTED BY LAW, THE PRODUCTS AND INFORMATION ON THIS SITE IS PROVIDED "AS IS" AND WITH ALL FAULTS AND ADIRCORP. MAKES NO PROMISES, REPRESENTATIONS, OR WARRANTIES, EITHER EXPRESS, IMPLIED, STATUTORY, OR OTHERWISE, WITH RESPECT TO THE PRODUCTS AND INFORMATION, INCLUDING ITS CONDITION, ITS CONFORMITY TO ANY REPRESENTATION OR DESCRIPTION, OR THE EXISTENCE OF ANY LATENT OR PATENT DEFECTS, AND ADIRCORP. SPECIFICALLY DISCLAIMS ALL IMPLIED (IF ANY) WARRANTIES OF TITLE, MERCHANTABILITY, NON INFRINGEMENT, FITNESS FOR A PARTICULAR PURPOSE, ACCURACY OR COMPLETENESS, QUIET ENJOYMENT, AND QUIET POSSESSION. THE ENTIRE RISK ARISING OUT OF USE OR PERFORMANCE OF THE PRODUCTS AND INFORMATION LIES WITH USER.

TO THE MAXIMUM EXTENT PERMITTED BY LAW, IN NO EVENT SHALL ADIRCORP PRODUCTS OR ITS SUPPLIERS BE LIABLE FOR CONSEQUENTIAL, INCIDENTAL, SPECIAL, INDIRECT, OR EXEMPLARY DAMAGES WHATSOEVER ARISING OUT OF OR IN ANY WAY RELATING TO THIS AGREEMENT OR USER'S USE OF OR INABILITY TO USE THE PRODUCTS AND INFORMATION, OR THE PROVISION OR FAILURE TO PROVIDE SUPPORT SERVICES, INCLUDING, BUT NOT LIMITED TO, LOST PROFITS, LOSS OF CONFIDENTIAL OR OTHER INFORMATION, BUSINESS INTERRUPTION, PERSONAL INJURY, LOSS OF PRIVACY, FAILURE TO MEET ANY DUTY (INCLUDING OF GOOD FAITH OR REASONABLE CARE), NEGLIGENCE, COSTS OF PROCUREMENT OF SUBSTITUTE GOODS OR SERVICES, OR ANY OTHER CLAIM FOR PECUNIARY OR OTHER LOSS WHATSOEVER, OR FOR ANY CLAIM OR DEMAND AGAINST USER BY ANY OTHER PARTY, EVEN IF ADIRCORP HAS BEEN ADVISED OF THE POSSIBILITY OF SUCH DAMAGES. THESE LIMITATIONS SHALL APPLY NOTWITHSTANDING ANY FAILURE OF ESSENTIAL PURPOSE OF ANY LIMITED REMEDY.

NOTWITHSTANDING ANY DAMAGES USER MAY INCUR FOR ANY REASON WHATSOEVER (INCLUDING, WITHOUT LIMITATION, ALL DAMAGES REFERENCED ABOVE AND ALL DIRECT OR GENERAL DAMAGES), THE ENTIRE LIABILITY OF ADIRCORP AND ANY OF ITS SUPPLIERS UNDER ANY PROVISION OF THIS AGREEMENT AND YOUR EXCLUSIVE REMEDY FOR ALL OF THE FOREGOING SHALL BE LIMITED TO THE GREATER OF THE AMOUNT ACTUALLY PAID FOR THE PRODUCTS AND INFORMATION OR U.S. \$1. THE FOREGOING LIMITATIONS, EXCLUSIONS, AND DISCLAIMERS SHALL APPLY TO THE MAXIMUM EXTENT PERMITTED BY APPLICABLE LAW, EVEN IF ANY REMEDY FAILS ITS ESSENTIAL PURPOSE.

If any provision of this Agreement is declared invalid or unenforceable, the remaining provisions of this Agreement will remain in effect. AdirCorp has the right to modify these terms and conditions at any time.



ADI505-01-SERIES

27 Selvage Street • Irvington, NJ • 07111 • ©2020 All Rights Reserved.

adircorp.com