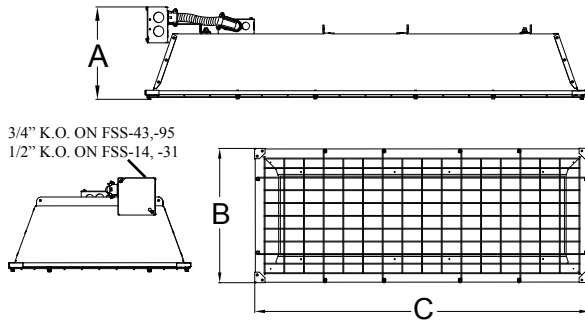


FSS-95

(2) FSS-95 heaters with TMK-95 tandem mounting kit



FSS Series Dimensions



MFG MODEL NUMBER	DIMENSIONS (in.)		
	"A" DEPTH	"B" WIDTH	"C" LENGTH
FSS-14	8 ½	9	26
FSS-31	8 ½	9	46
FSS-43	9 ¾	20	29
FSS-95	7 ¾	20	49
FSS-95 TANDEM	7 ¾	20	108

Mounting Clearances & Recommended Mounting Height

Mounting Clearances		KW	Recommended Mounting Height
All FSS Models	24" from ceiling 36" from vertical surface & from another heater 72" from face of heater to combustible surface	1.4	8' - 10'
		3.1	8' - 12'
		4.3	10' - 14'
		9.5	12' - 16'
FSS-95 Tandem Only	87" from face of heater to combustible surface	(2) 9.5	15' - 30'

Sizing Chart

MOUNTING HEIGHT	MFG MODEL NUMBER	LENGTH	WIDTH	COVERAGE (SQ. FT.)	WATTS (SQ. FT.)
8'	FSS-14	8	8	64	22.7
	FSS-31	9	8	72	43.8
10'	FSS-14	11	10	110	13.2
	FSS-31	11	10	110	28.6
	FSS-43	12	10	120	35.8
12'	FSS-31	12	11.5	138	22.8
	FSS-43	14	12	168	25.6
	FSS-95	15	13	195	48.7
14'	FSS-43	16	14	224	19.2
	FSS-95	18	16	288	33.0
16'	FSS-43	18	16	288	14.9
	FSS-95	21	18	378	25.1
	FSS-95 TANDEM	24	19	456	41.7
18'	FSS-95	23	20	460	20.7
	FSS-95 TANDEM	28	20	560	33.9
20'	FSS-95 TANDEM	28	23	644	29.5
24'	FSS-95 TANDEM	33	27	891	21.3
30'	FSS-95 TANDEM	41	32	1312	14.5

Product Specifications

Housing & Construction:

.040 Gold anodized Aluminum housing for efficient, long-term reflectivity and corrosion resistance. High-density radiant heat. Housing is ETL Listed for indoor, dry environment applications only. Made in U.S.A.

Reflector:

60 degree symmetric heat pattern, reference the sizing chart to determine overall coverage based on the mounting height.

Elements:

Heavy duty flat panel emitter. Available wattages in 1450, 3150, 4300 and 9500 Watts per element. Available in standard voltages from 120 to 600 Volts.

Controls:

Flat panel emitter heaters are not manufactured with any control device on the unit. All controls and accessories should be specified as remote mounted. Please consult the technical sales department of factory for help in determining applicable controls. Please follow installation instructions that accompany each heater.

Accessories:

Power contactor panels.

ICP Control Panels



Features

- NEMA 4 outdoor rated control box
- Door interlock disconnect switch
- Custom made to customers specifications
- SCR and proportional controls optional
- Circuit breakers sized for heater load per stage
- Please see ICP page to select panel to control one or multiple units, if required.

Architectural Overhead Infrared Heaters for Indoor Spot Heating, Zone, or Total Area Heating Applications



FSA-14



FSA-31



FSA-43



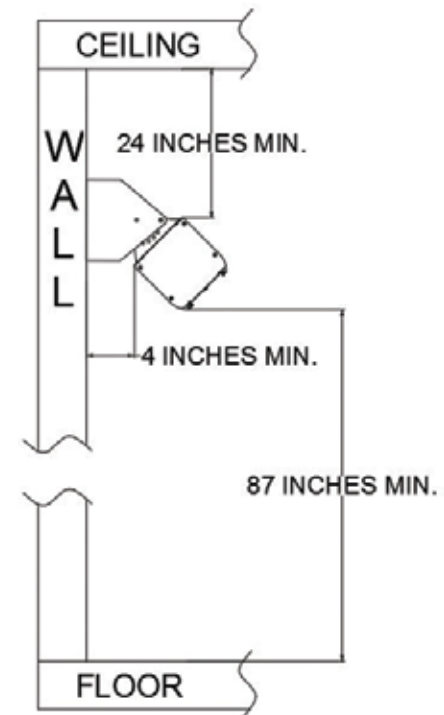
FSA-95

- ETL C/US Listed for suspended high-bay indoor or protected outdoor applications.
- Designed for spot / zone or total area heating applications.
- Heating elements included (Heavy Duty Single Flat Panel Emitter).
- Medium wave emitter operates at 78.5% radiant efficiency - with a 25,000 hour life expectancy.
- Extruded aluminum housing with a nickel-gray finish, providing a 60° symmetrical heat pattern.
- Electrical enclosure included for direct wire installation.
- Single or three-phase wiring configurations.
- “L” brackets included on the top of the heating housing for chain suspension, wall mounting, or ceiling mounting options.
- Units can be surface mounted, semi-recessed, or fully-recessed.
- Zinc plated heavy-gauge safety grills included for all models.
- Optional wall mounting bracket sold separately.
- Shipped fully assembled and made in U.S.A.

Standard Models

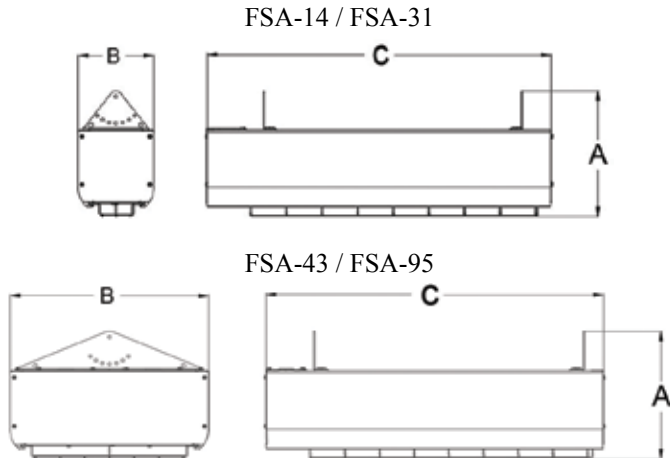
MFG CATALOG NUMBER	MFG MODEL NUMBER	WATTS	VOLTS	PHASE	BTUs / Hr.	AMPS		WT. (LBS)	LIST
						1-PH	3-PH		
04889002	FSA-1412-1	1450	120	1	4947	12.1		13	1040
04889102	FSA-1420-1		208			6.97			
04889202	FSA-1424-1		240			6.04			
04889302	FSA-1427-1		277			5.23			
04889402	FSA-1448-1		480			3.02			
04889502	FSA-1457-1		600			2.52			
04889602	FSA-3120-1	3150	208	1	10,748	15.14		22	1185
04889702	FSA-3124-1		240			13.13			
04889802	FSA-3127-1		277			11.37			
04889902	FSA-3148-1		480			6.56			
04890002	FSA-3157-1		600			5.48			
04890102	FSA-4320-3	4300	208	1 or 3	14,672	20.67	11.94	24	1575
04890202	FSA-4324-3		240	1 or 3		17.91	10.36		
04890302	FSA-4327-1		277	1		15.52			
04890402	FSA-4348-3		480	1 or 3		8.96	5.18		
04890502	FSA-4357-3		600	1 or 3		7.48	4.32		
04890602	FSA-9520-3		9500	208		1 or 3	32,414		
04890702	FSA-9524-3	240		1 or 3	39.6	22.89			
04890802	FSA-9527-1	277		1	34.3				
04890902	FSA-9548-3	480		1 or 3	19.8	11.44			
04891002	FSA-9557-3	600		1 or 3	16.5	9.54			

Optional Wall Mounting Brackets



OPTIONAL WALL MOUNTING BRACKETS		
MFG CATALOG NUMBER	MFG MODEL NUMBER	LIST
04892002	FSA-14-31WMB	25
04892102	FSA-43-95WMB	45

FSA Series Dimensions



MFG MODEL NUMBER	DIMENSIONS (in.)		
	"A" DEPTH	"B" WIDTH	"C" LENGTH
FSA-14	8 ½	5 ¾	26 ⅙
FSA-31	8 ½	5 ¾	47 ⅙
FSA-43	8 ¾	14 ¾	25 ⅙
FSA-95	8 ¾	14 ¾	47 ⅙

Mounting Clearances & Recommended Mounting Height

Mounting Clearances		KW	Recommended Mounting Height
All FSA Models	24" from ceiling 36" from vertical surface & from another heater (4" when using optional mounting bracket) 72" from face of heater to combustible surface	1.4	8' - 10'
		3.1	8' - 12'
		4.3	10' - 14'
		9.5	12' - 16'

Sizing Chart

MOUNTING HEIGHT	MFG MODEL NUMBER	LENGTH	WIDTH	COVERAGE (SQ. FT.)	WATTS (SQ. FT.)
8'	FSA-14	8	8	64	22.7
	FSA-31	9	8	72	43.8
10'	FSA-14	11	10	110	13.2
	FSA-31	11	10	110	28.6
	FSA-43	12	10	120	35.8
12'	FSA-31	12	11.5	138	22.8
	FSA-43	14	12	168	25.6
	FSA-95	15	13	195	48.7
14'	FSA-43	16	14	224	19.2
	FSA-95	18	16	288	33.0
16'	FSA-43	18	16	288	14.9
	FSA-95	21	18	378	25.1

Product Specifications

Housing & Construction:

Extruded 6063 aluminum housing with protective grill. Powder coat silver finish for excellent durability and attractive appearance in commercial applications. ETL C/US listed for indoor, dry environments. Made in USA.

Elements:

Heavy duty flat panel emitter. Available wattages in 1450, 3150, 4300 and 9500 Watts per element. Available in standard voltages from 120 to 600 Volts.

Controls:

Flat panel emitter heaters are not manufactured with any control device on the unit. All controls and accessories should be specified as remote mounted. Please consult the technical sales department of factory for help in determining applicable controls. Please follow installation instructions that accompany each heater.

Accessories:

Optional power controls pages 76-79.

Optional - ICP Control Panels

Features



- NEMA 4 outdoor rated control box
- Door interlock disconnect switch
- Custom made to customers specifications
- SCR and proportional controls optional
- Circuit breakers sized for heater load per stage
- Please see ICP page to select panel to control one or multiple units, if required.