

Commercial Exhaust Fans & Shutters

Belt-Drive Exhaust Fan

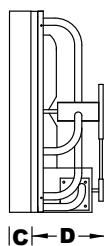
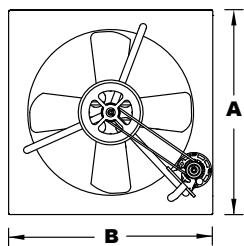
Features

- 120V, 1 phase or 230 / 460V, 3-Phase, ball bearing, permanently lubricated, drip proof motor
- Permanently lubricated bearings on blade drive shaft
- Aluminum blade
- Powder coated venturi
- 1725 RPM
- Motor frame size 56
- 5/8" shaft
- 1 year warranty
- Made in U.S.A.

⚠ WARNING: This product can expose you to chemicals including nickel which is known to the State of California to cause cancer, and chromium, which is known to the State of California to cause birth defects and/or reproductive harm. For more information go to www.P65Warnings.ca.gov.



Dimensions (Inches)



MODEL	DIMENSIONS A x B x C x D
CE-24B	29.5" x 28" x .75" x 17"
CE-30B	35.5" x 34" x .75" x 17"
CE-36B	41.5" x 40" x .75" x 17"
CE-42B	48" x 48" x .75" x 17"
CE-48B	54" x 54" x .75" x 17"

Standard Models

SIZE	MOTOR HP	AMPS		CFM	WT. (LBS)	115V 1-PHASE			230/460V 3-PHASE		
		115V	230/460V			MFG CATALOG NUMBER	MFG MODEL NUMBER	LIST	MFG CATALOG NUMBER	MFG MODEL NUMBER	LIST
24	1/3	5	1.9 / .9	3000	50	07967002	CE-24B	845	08510402	CE-24B-3	971
30	1/3	6	1.9 / .9	4500	60	07967102	CE-30B	951	08510502	CE-30B-3	1085
36	1/2	8	2.3 / 1.1	6900	65	07967202	CE-36B	1098	08510602	CE-36B-3	1228
42	3/4	11	3.3 / 1.5	10600	75	07967302	CE-42B	1379	08510702	CE-42-B-3	1710
48	1	15	3.8 / 1.9	14400	98	07967402	CE-48B	1723	08510802	CE-48-B-3	1822

Optional Exhaust Shutters



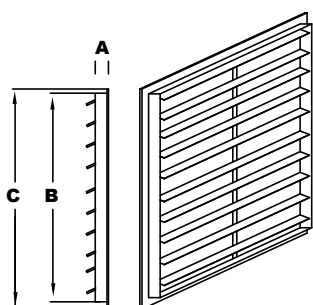
Features

- Air open - gravity close
- Aluminum frame
- Aluminum blade
- Weather stripping for tighter seal
- For CE Series Belt Drive Fans
- Made in U.S.A.

Standard Models

MFG CATALOG NUMBER	MFG MODEL NUMBER	WT. (LBS)	LIST
07967502	CES-24	11	284
07967602	CES-30	15	348
07967702	CES-36	19	608
07967802	CES-42	23	773
07967902	CES-48	28	891

Shutter Dimensions (Inches)



- (A) Thickness
- (B) Blade Housing Size
- (C) Overall Size

MFG MODEL NUMBER	OUTSIDE FRAME DIMENSIONS A x C x C	INSIDE FRAME DIMENSIONS B x B
CES-24	3" x 27" x 27"	24" x 24"
CES-30	3" x 33" x 33"	30" x 30"
CES-36	3" x 39" x 39"	36" x 36"
CES-42	3" x 45" x 45"	42" x 42"
CES-48	3" x 51" x 51"	48" x 48"

* Recommend adding 1/2" to inside frame dimension for wall opening.