

Venturi Mounted Direct Drive Exhaust Fans

Features

- Can be installed from inside wall
- Can be used with external shutter
- Pull chain switch
- No Cord-Junction box provided for direct wiring
- Aluminum blade
- Steel spiral wire guards
- Made in U.S.A. with domestic and foreign components.

WARNING: This product can expose you to chemicals including nickel which is known to the State of California to cause cancer, and chromium, which is known to the State of California to cause birth defects and/or reproductive harm. For more information go to www.P65Warnings.ca.gov.



Motor Specifications

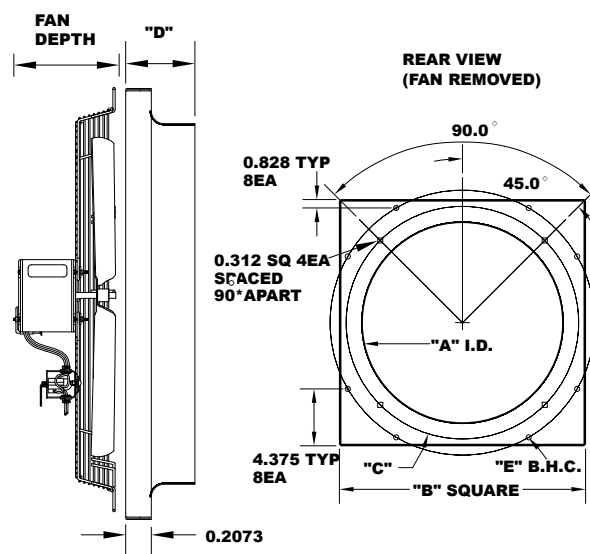
- 120V, 1-Phase, totally enclosed, permanently lubricated
 - 1/12 HP motor is 3-Speed sleeve bearing permanent split capacitor
 - 1/8 HP motor is 3-Speed sleeve bearing permanent split capacitor
 - 1/4 HP motor is 2-Speed ball bearing permanent split capacitor
- Note: Rough-in hole size is 1/2" inch larger than fan blade size

Standard Models

FAN SIZE	MFG CATALOG NUMBER	MFG MODEL NUMBER	HP	CFM / RPM			AMPS HIGH	WT. (LBS)	LIST
				HIGH	MED	LOW			
10"	08690302	CE 10-DV	1/12	680 / 1560	540 / 1250	460 / 1080	1	11	348
12"	07986602	CE 12-DV	1/12	825 / 1560	710 / 1250	560 / 1080	1.1	17	392
14"	08690402	CE 14-DV	1/8	1520 / 1660	1400 / 1550	1250 / 1370	2	17	498
16"	08690502	CE 16-DV	1/8	2100 / 1660	1900 / 1550	1700 / 1370	2.1	18	521
18"	07986702	CE 18-DV	1/8	2300 / 1660	2100 / 1050	1850 / 1370	2.2	26	566
20"	08690602	CE 20-DV	1/4	2925 / 1140	-	2380 / 1070	2.3	34	671
24"	07986802	CE 24-DV	1/4	3400 / 1140	-	2770 / 1070	2.5	48	746
30"	07986902	CE 30-DV	1/4	3950 / 1140	-	3080 / 1070	2.7	55	934

Dimensions (Inches)

SIZE	DEPTH	DIMENSIONS				
		"A"	"B"	"C"	"D"	"E"
10"	5.81"	10.250"	12.63"	12.375"	2.000"	12.875"
12"	7.18"	12.250"	14.50"	14.375"	2.000"	14.625"
14"	7.18"	14.250"	17.13"	16.375"	2.500"	17.375"
16"	7.18"	16.250"	19.13"	18.250"	2.875"	20.000"
18"	7.18"	18.125"	21.00"	21.750"	2.750"	22.875"
20"	7.18"	20.250"	23.13"	23.686"	2.750"	25.625"
24"	7.18"	24.250"	29.50"	27.750"	2.875"	27.875"
30"	7.18"	30.250"	33.50"	33.750"	2.875"	33.875"



Optional Wall Shutters

FAN SIZE	MFG CATALOG NUMBER	MFG MODEL NUMBER	DIMENSIONS		WT. (LBS)	LIST
			WIDTH	LENGTH		
10"	08684302	CES-10G	13.13"	13.13"	5.0	79
12"	07985502	CES-12G	15.13"	15.13"	5.5	109
14"	08684502	CES-14G	17.13"	17.13"	6.5	133
16"	08514702	CES-16G	19.00"	19.00"	8.0	154
18"	07985602	CES-18G	21.13"	21.13"	9.0	187
20"	07975202	CES-20G	23.13"	23.13"	10.0	208
24"	07985702	CES-24G	27.13"	27.13"	13.0	231
30"	07985802	CES-30G	33.13"	33.13"	19.0	270