

# Guard Mounted Direct Drive Exhaust Fans

## Features

- Bolts directly to the wall
  - Can be used with or without external shutter
  - Pull chain switch
  - No Cord-Junction box provided for direct wiring
  - Aluminum blade
  - Steel spiral wire guards
  - Made in U.S.A. with domestic and foreign components.
- Note: Rough-in hole size is 1/2" inch larger than fan blade size

**⚠ WARNING:** This product can expose you to chemicals including nickel which is known to the State of California to cause cancer, and chromium, which is known to the State of California to cause birth defects and/or reproductive harm. For more information go to [www.P65Warnings.ca.gov](http://www.P65Warnings.ca.gov).



## Motor Specifications

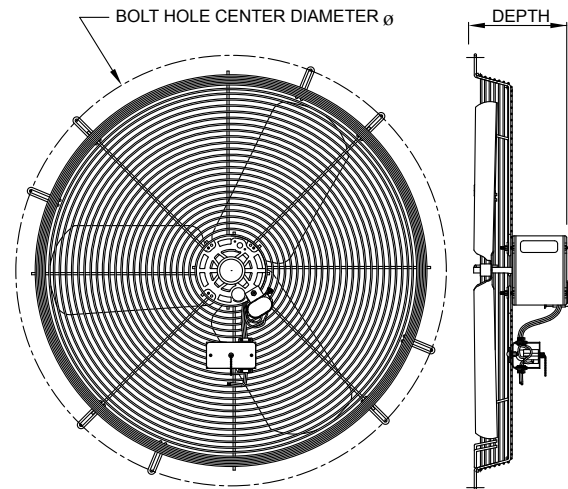
- 120V, 1-Phase, totally enclosed, permanently lubricated
- 1/12 HP motor is 3-Speed sleeve bearing permanent split capacitor
- 1/8 HP motor is 3-Speed sleeve bearing permanent split capacitor
- 1/4 HP motor is 2-Speed ball bearing permanent split capacitor

## Standard Models

FAN SIZE	MFG CATALOG NUMBER	MFG MODEL NUMBER	HP	CFM / RPM			AMPS HIGH	WT. (LBS)	LIST
				HIGH	MED	LOW			
10"	08689502	CE 10-D	1/12	680 / 1560	540 / 1250	460 / 1080	1	11	295
12"	07985002	CE 12-D	1/12	825 / 1560	710 / 1250	560 / 1080	1.1	12	333
14"	08689602	CE 14-D	1/8	1520 / 1660	1400 / 1550	1250 / 1370	2	17	353
16"	08689702	CE 16-D	1/8	2100 / 1660	1900 / 1550	1700 / 1370	2.1	18	370
18"	07984902	CE 18-D	1/8	2300 / 1660	2100 / 1050	1850 / 1370	2.2	19	407
20"	08689802	CE 20-D	1/4	2925 / 1140	-	2380 / 1070	2.3	34	528
24"	07984802	CE 24-D	1/4	3400 / 1140	-	2770 / 1070	2.5	38	588
30"	07984702	CE 30-D	1/4	3950 / 1140	-	3080 / 1070	2.7	42	685

## Dimensions (Inches)

SIZE	BOLT HOLE CENTER WIDTH	DEPTH
10"	14.14"	5.81"
12"	16.46"	7.18"
14"	18.30"	7.18"
16"	20.34"	7.18"
18"	22.64"	7.18"
20"	25.46"	7.18"
24"	29.08"	7.18"
30"	34.89"	7.18"



## Optional Wall Shutters

FAN SIZE	MFG CATALOG NUMBER	MFG MODEL NUMBER	WT. (LBS)	LIST
10"	08684302	CES-10G	5	79
12"	07985502	CES-12G	5.5	109
14"	08684502	CES-14G	6.5	133
16"	08514702	CES-16G	8	154
18"	07985602	CES-18G	9	187
20"	07975202	CES-20G	10	208
24"	07985702	CES-24G	13	231
30"	07985802	CES-30G	19	270