

STABILA®



...sets standards



LAX 300
cross line plus
plumb points laser

NEW



NEW

LA-5P
5 point laser

STABILA compact lasers: For all finishing trades.

ACCURATE. TOUGH. RELIABLE. EASY-TO-USE.

The pocket-size lasers are confidence builders. They are fast, accurate and dependable. Heights can be determined accurately and quickly with a foot that allows you to position the laser exactly where you need it.

LAX 300:

Bright and sharp laser lines **plus** plumb points.

LA-5P:

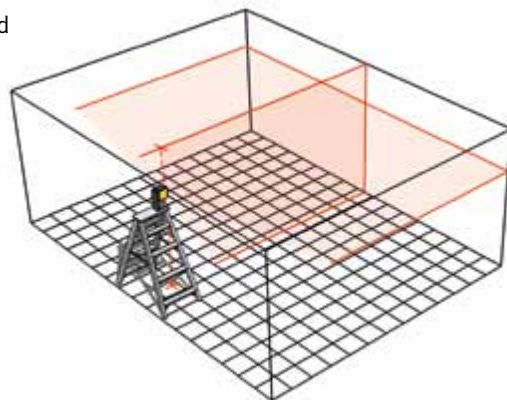
Bright and small plumb **points** up and down, a level point, and square points are set instantly with the push of a button.



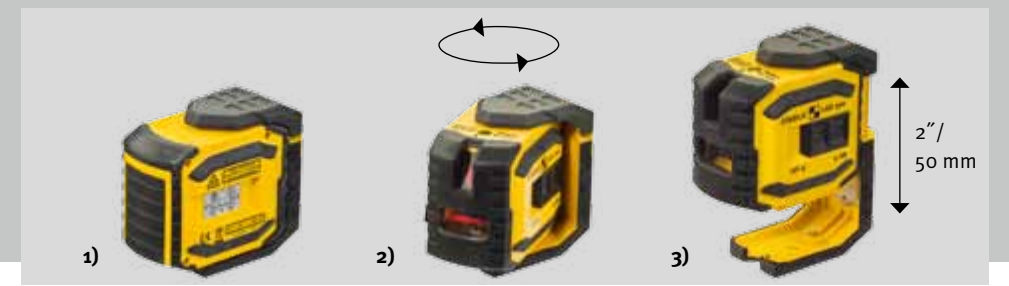


LAX 300: Self-leveling cross line plus plumb points laser. Mark the floor, walls and ceiling in one shot.

- One horizontal laser line, one vertical laser line plus plumb point up, plumb point down and a vertically adjustable foot.
- For quick and precise layout, plumbing and leveling.
- Bright and sharp lines. Bright, small and round points.
- Visible range 60 ft./20 m.
- Plumb up and down points are easy to see and work with when the foot is in the elevated position.
- The laser can be rotated 360 degrees in its housing.
- Easy to get into position:
 - 1.) Set it directly on the floor, counter etc.
 - 2.) Attach to a tripod or laser pole with a 1/4" thread.
 - 3.) Attaches to steel with the rare earth magnet with V-groove on the backside of the exterior housing.
 - 4.) Add the security of a strap or belt pulled tight around posts etc.
- Soft grip rubber on the housing for grip and drop protection.
- Rated IP54. Protection against dust, rain and water spray.
- U-shaped outer housing protects the lenses when the laser is not in use (park position).
- Power supply – 3 AA batteries average 20 hours of continuous run time.
- Pulsed laser lines allow the laser to be used outdoors at long range with the REC 210 line receiver. This special receiver is an optional accessory.



LAX 300: 1 horizontal laser line. 1 vertical laser line. Plumb up and down points.



1) Park position. 2) The casing can pivot 360° inside the U-grip. 3) The extendable foot can be used to adjust the laser's height.



**STABILA LAX 300:
Work directly on the
laser beam.**



- ▶ Horizontal and vertical reference lines can be created from one position.



- ▲ Position the laser right where you need it. On the floor, stand, counter or connect to steel objects with the rare earth magnet on the back of the outer housing.

- ◀ Broad room coverage due to the wide fan angle of the laser lines.

STABILA®

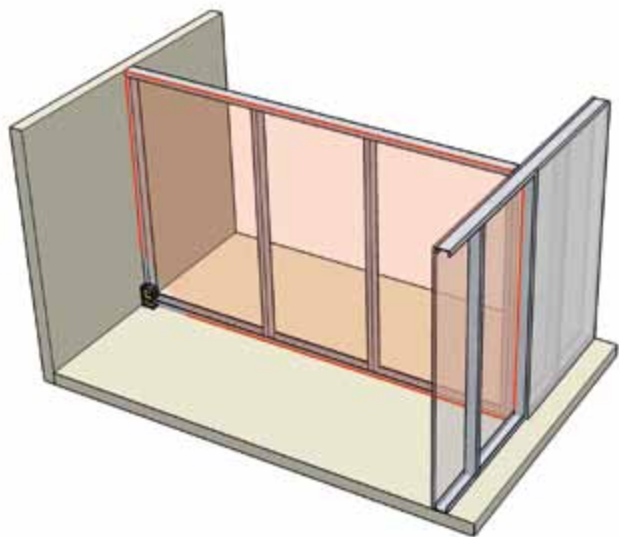


...sets standards

LAX 300 cross line plus plumb points laser

Ideal for electricians, plumbers, drywall carpenters, tile installers, finish carpenters, ceiling grid installers and framers, glazers.

STABILA LAX 300:
Simultaneously shoots layout lines on the floor, wall and ceiling.



The vertical laser line covers almost the entire room.

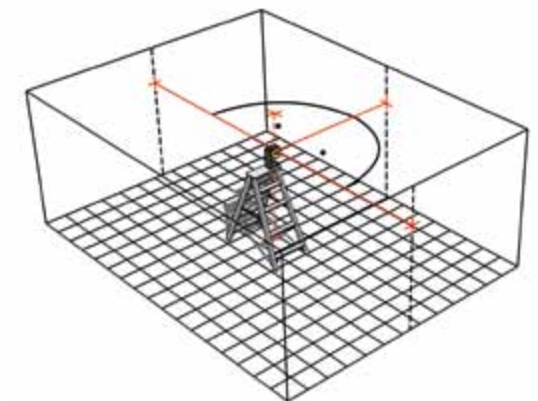




1) Park position. 2) The casing can pivot 360° inside the U-grip. 3) The extendable foot can be used to adjust the laser's height.

The LA-5P self-levelling 5 point laser: perfect transfer of 90° angles.

- 5 laser points: Plumb-up point, plumb-down point, level point, and square points.
- Fast layout and transfer of right angles. Up and down plumb points for the positioning of straight and curved studs. For rapid and accurate alignment.
- Rotate the laser 360 degrees in its housing, precisely and quickly transferring the layout points.
- Bright, small round dots are easy to see indoors (up to 100 ft. / 30 m) and work with.
- Easy to get into position:
 - 1.) Set it directly on the floor, counter etc.
 - 2.) Attach to a tripod or laser pole with a 1/4" thread.
 - 3.) Attaches to steel with the rare earth magnet with V-groove on the backside of the exterior housing.
 - 4.) Add the security of a strap or belt pulled tight around posts etc.
- Shock absorbing soft-grip rubber on the outer housing.
- Rated IP 54. Protection against dust, rain and water spray.
- Fully closed and locked position: Rotate the laser so the lenses are fully protected by the outer housing. Shifting the black slide switch to the "locked-off" position to secure the moving parts.
- Power supply – 3 AA batteries average 20 hours of continuous run time.



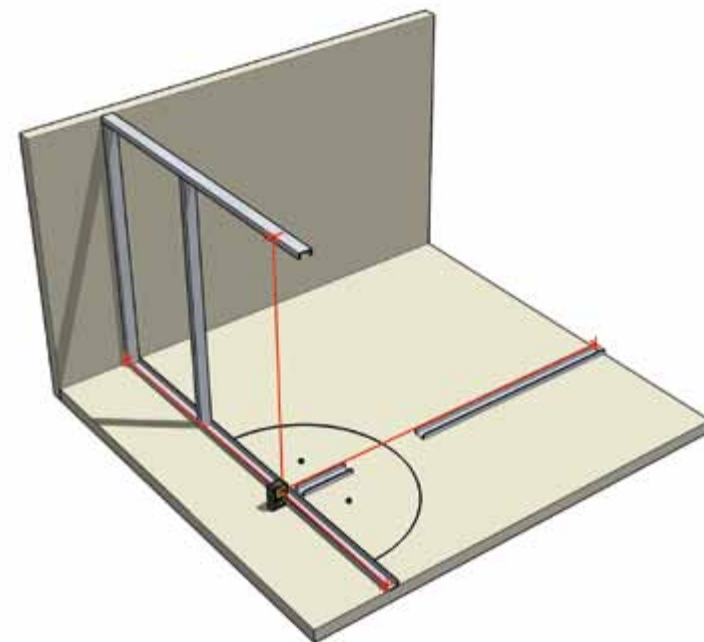
LA-5P: Plumb-up point, plumb-down point, level point, and square points.

STABILA®



...sets standards

LA-5P / 5 point laser



Fast layout and transfer of right angles. Up and down plumb points for the positioning of straight and curved studs.

STABILA LA-5P:
Work directly over studs due to
the adjustable foot.

**STABILA LA 5-P:
Layout transfer from the floor to
the ceiling.**



**Ideal for Installers, drywall carpenters, HVAC,
mechanical trades people, project managers and
foreman need this dependable tool.**



LAX 300 cross line plus plumb points laser

Contents: LAX 300 self-levelling crossed line and plumb line laser, target plate, wall bracket, belt pouch.

Laser class	Output	Laser wavelength	Self-levelling range	Levelling accuracy	Line straightness	Laser beam accuracy (up)
2	< 1 mW	635 nm	approx. ± 4.5°	± 3/8" @ 100 ft / ± 0.3 mm/m	± 1/4" @ 100 ft / ± 0.2 mm/m	± 3/8" @ 100 ft / ± 0.3 mm/m

Laser beam accuracy (down)	Range of visible line	Battery run-time	Batteries included	Cat. No.	UPC code
± 1/2" @ 100 ft / ± 0.4 mm/m	60 ft* / 20 m*	20 h	3 x AA 1.5 V	03180	089634031802

* Indoors under typical operating conditions.



LA-5P / 5 point laser

Contents: LA-5P 5 point laser, target plate, wall bracket, belt pouch.

Laser class	Output	Laser wavelength	Self-levelling range	Levelling accuracy horizontal	Accuracy at 90° angle	Laser beam accuracy (up)
2	< 1 mW	635 nm	approx. ± 4.5°	± 3/8" @ 100 ft / ± 0.3 mm/m	± 1/4" @ 100 ft / ± 0.2 mm/m	± 3/8" @ 100 ft / ± 0.3 mm/m

Laser beam accuracy (down)	Range of visible point	Battery run-time	Batteries included	Cat. No.	UPC code
± 1/2" @ 100 ft / ± 0.4 mm/m	100 ft* / 30 m*	20 h	3 x AA 1.5 V	03160	089634031604

* Indoors under typical operating conditions.

LAX 300: Optional accessories



LT 30 laser-telescope stand (Cat. No. 18238).

LAX 300 and LA-5P: Accessories included with delivery



Target plate, wall bracket and belt pouch.

CAUTION

LASER RADIATION
DO NOT STARE
INTO BEAM



630nm - 660nm / <1mW
CLASS II LASER PRODUCT
CFR 1040.10 AND 1040.11 CFR

Our technical hotline will support you on all questions relating to product selection and use. Tel: 800-869-7460. You can of course also e-mail us at custservice@stabila.com

STABILA, INC 332 Industrial Drive, South Elgin, IL 60177
Tel: 800-869-7460, Fax: 847-488-0051, e-mail: custservice@stabila.com

You will find detailed product information at www.stabila.com