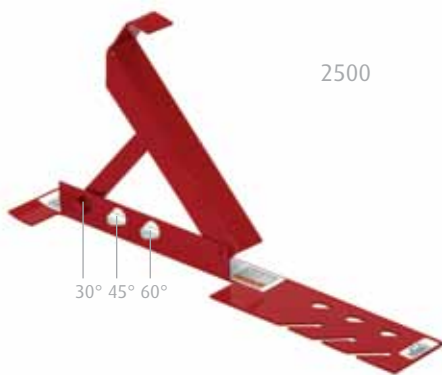


ADJUSTABLE ROOF BRACKETS

Adjustable Steel Roof Bracket (2500) ▾

- For use on variable pitched roofs
- 10" adjustable platform
- 3-position platform: 30°, 45°, 60°
- Commercial grade 12-gauge steel construction
- For easy installation & removal without damaging the shingle
- Capacity: 1 worker plus 40 lb. per 8' staging
- Maximum 8' spacing between brackets



Adjustable Wood/Steel Roof Bracket (2510) ▾

- 2-position platform: 45° & 60°
- HD hardwood maple & 15-gauge galvanized steel construction
- 12" platform
- Platform retainer & locking mechanism for additional safety
- Designed to eliminate shingle damage
- Capacity: 1 worker plus 40 lb. per 8' staging
- Maximum 8' spacing between brackets



PRO-LINE Adjustable Steel Roof Bracket (3500) ▾

- 10" adjustable platform
- 4-position platform: 30°, 45°, 60°, 90°
- Commercial grade 11-gauge steel construction
- Powder coat paint finish
- Rounded corners eliminate shingle damage
- Capacity: 1 worker plus 40 lb. per 8' staging
- Maximum 8' spacing between brackets



Slater's Style Roof Bracket (2525) ▾

- 6-position locking adjustments
- Constructed of heavy duty galvanized steel
- 10" platform
- Can be repositioned & taken down w/o damaging shingles
- Folds flat for convenient storage and transport
- Replaceable 3-position tongue
- Capacity: 1 worker plus 40 lb. per 8' staging
- Maximum 8' spacing between brackets



Part#	Description	Weight
2500	Adjustable Steel Roof Bracket	2.40
2510	Adjustable Wood/Steel Roof Bracket	4.60
2525	Slater's Style Roof Bracket	8.00
3500	PRO-LINE Adjustable Roof Bracket	3.75