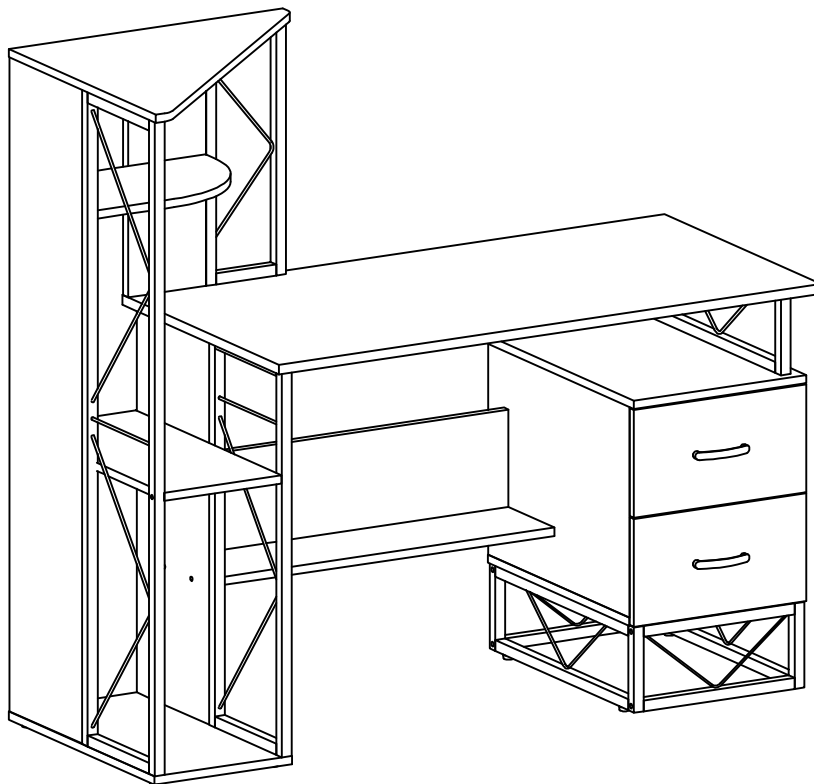




Storage Desk, 2-Drawer

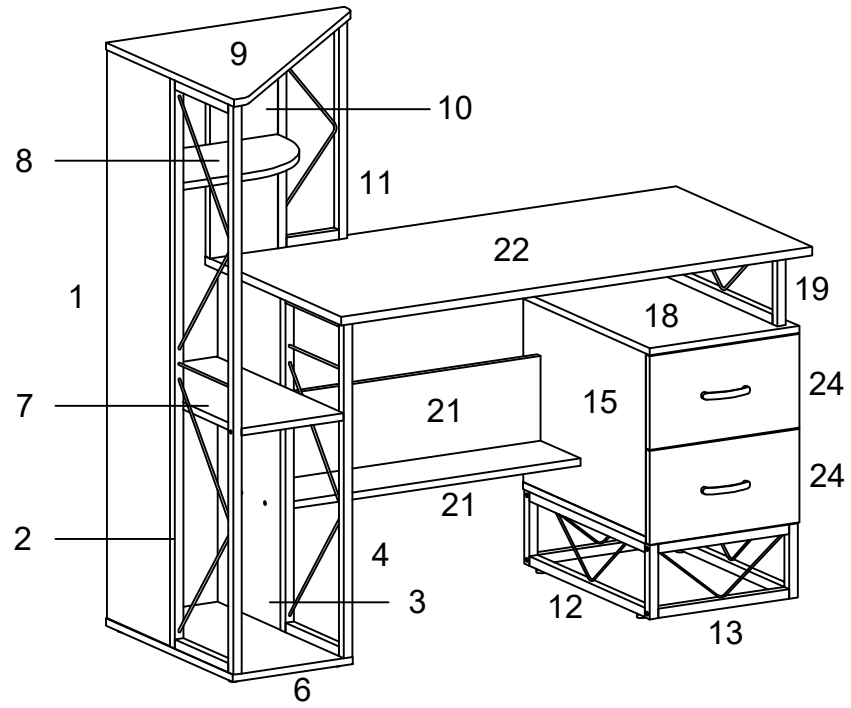
Model No. 1002



ASSEMBLY INSTRUCTIONS

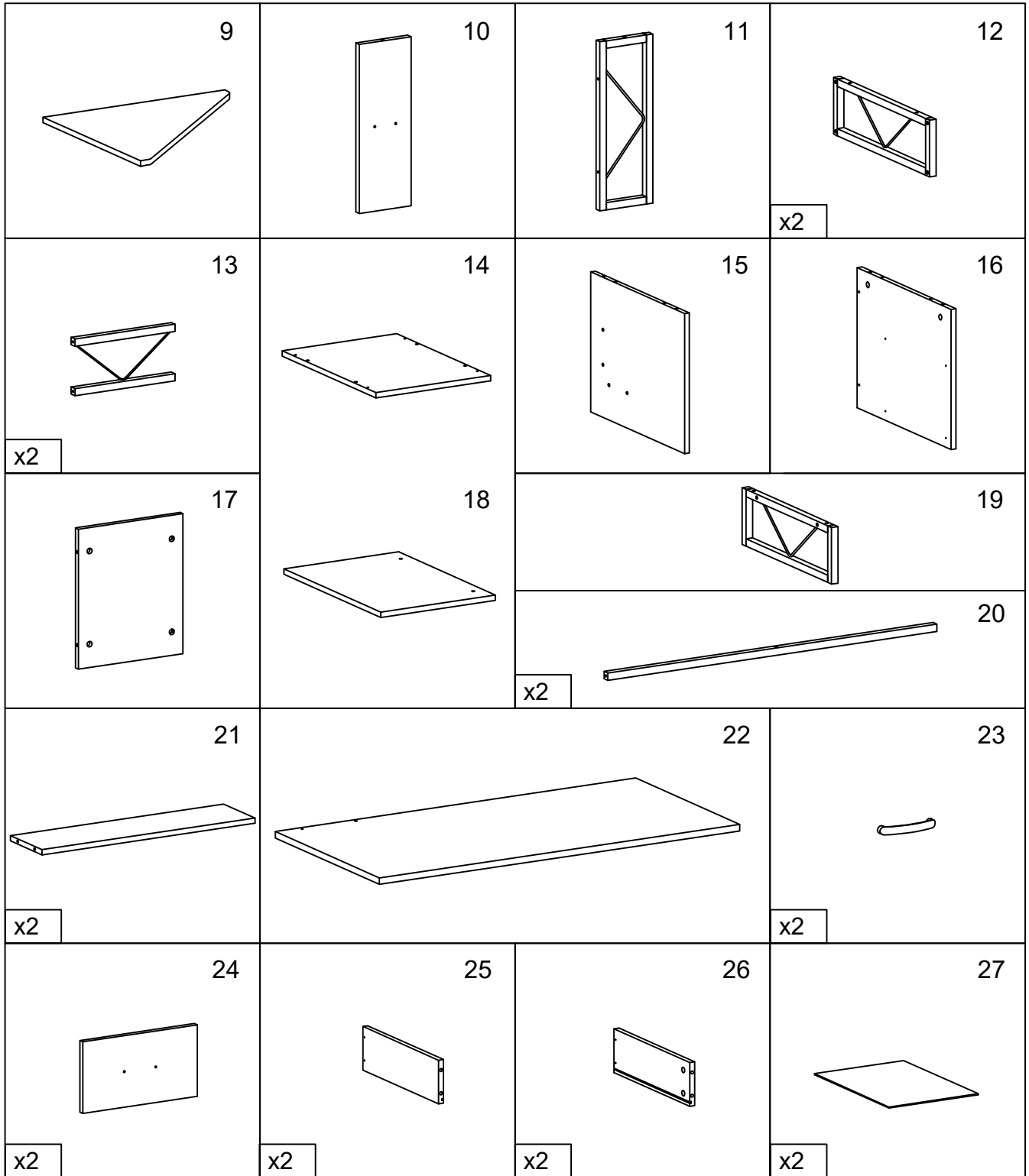
CALL 1-800-822-8037 FOR ASSISTANCE

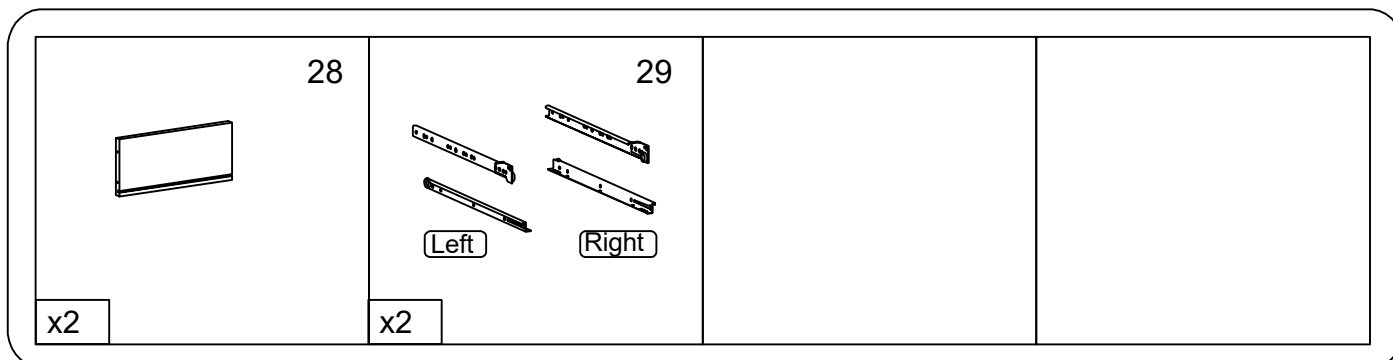
■PARTS LIST



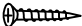
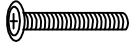
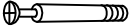
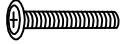
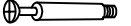
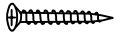




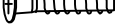

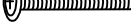

<p>1</p>	<p>2</p>	<p>3</p>	<p>4</p>
<p>5</p>	<p>6</p>	<p>7</p>	<p>8</p>

x8





▪SCREWS LIST

PART	QTY.	ITEM		PART	QTY.	ITEM	
A	16	3x15 MM		H	4	6x40 MM	
B	26	6x45 MM		I	12	6x35 MM	
C	7	6x40 MM		J	8	4x35 MM	
D	20	6x30 MM		K	4	4x20 MM	
E	8	8x30 MM		L	33	φ15 MM	
F	10	5x40 MM		M	10	φ10 MM	
G	6	6x45 MM			1		

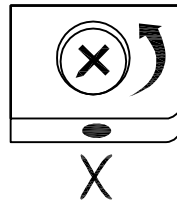
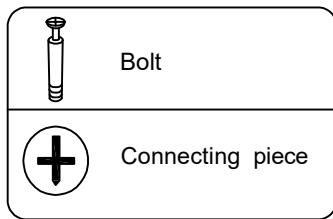
*For Replacement Hardware Box order Part# 1002HB

Thanks for purchasing one of our products, please carefully read the assembly instructions before beginning the installation.

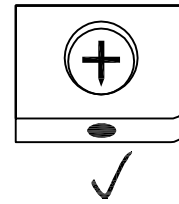
General Care:
 -Keep your furniture out direct sunlight-Use desk pads and coasters to protect the surface from dents,scratches,and moisture from hot or cold liquids.

Cleaning:
 -For cleaning, wipe the surface with a damp (not wet) cloth or wipe dry with a clean lint free cotton cloth.
 -Window cleaning liquid or a similar cleaning liquid can be used to clean glass surface.

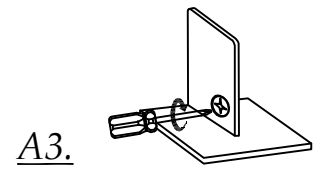
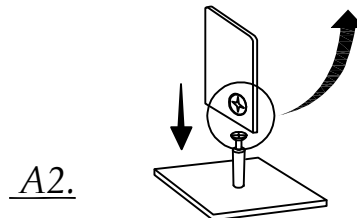
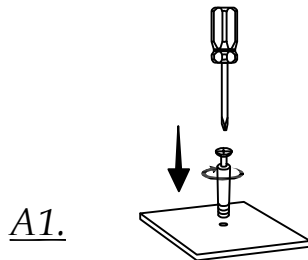
6x40MM & 6x45MM BOLT INSTALLATION AS BELOW:



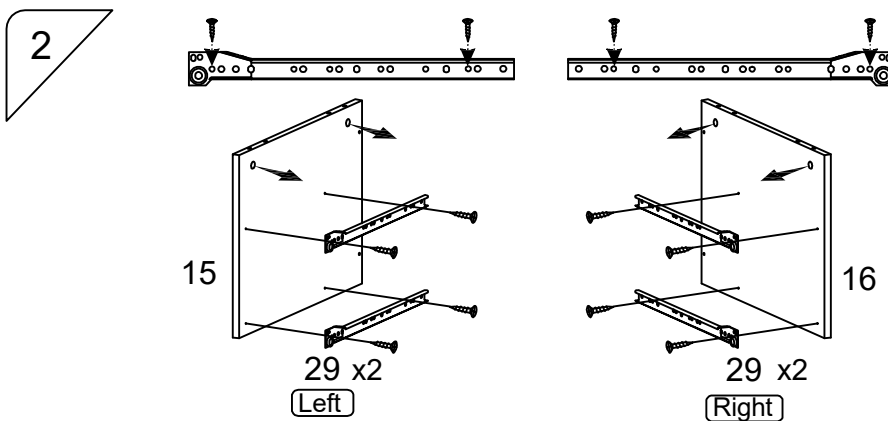
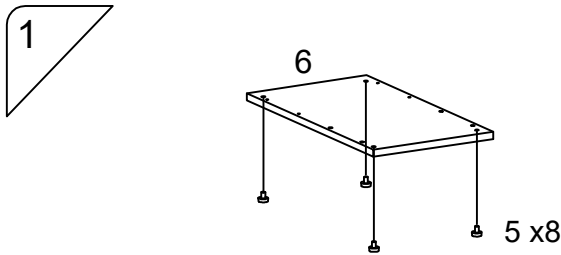
Adjust connecting piece direction if condition as illustrated



Insert bolt when Connecting piece under Such condition



ASSEMBLY STEPS:



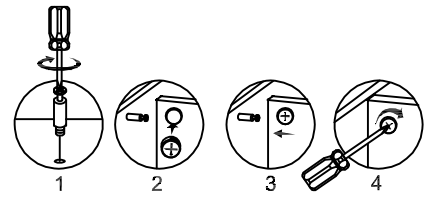
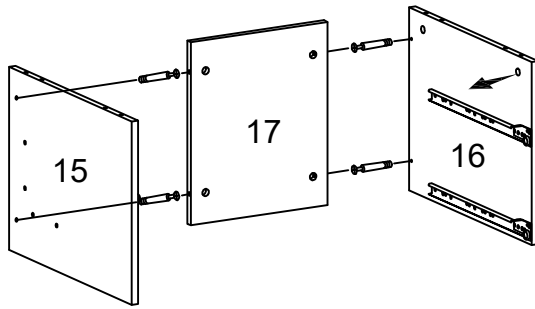
SCREWS

A 3x15 MM

8PCS



3



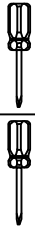
▪ SCREWS

B 6x45 MM

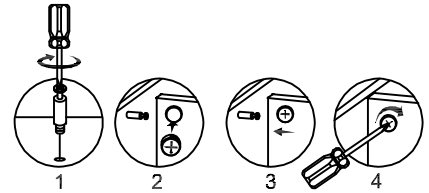
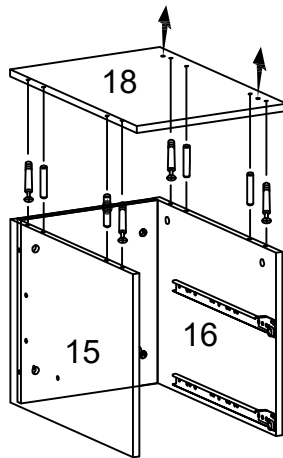
4PCS

L Ø15 MM

4PCS



4



▪ SCREWS

B 6x45 MM

4PCS

E 8x30 MM

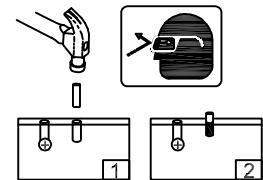
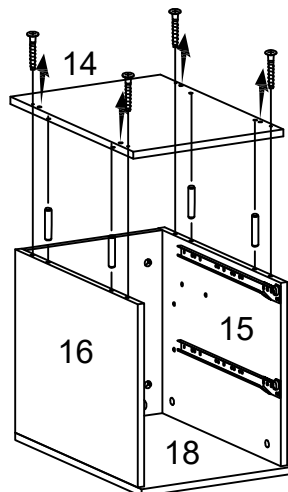
4PCS

L Ø15 MM

4PCS



5



▪ SCREWS

E 8x30 MM

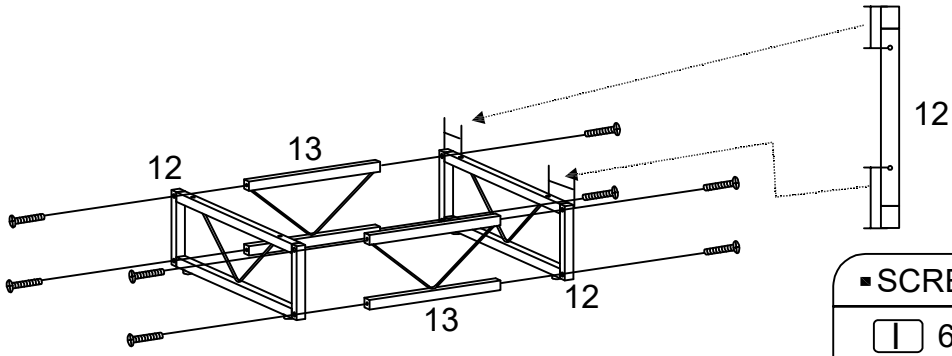
4PCS

F 5x40 MM

4PCS



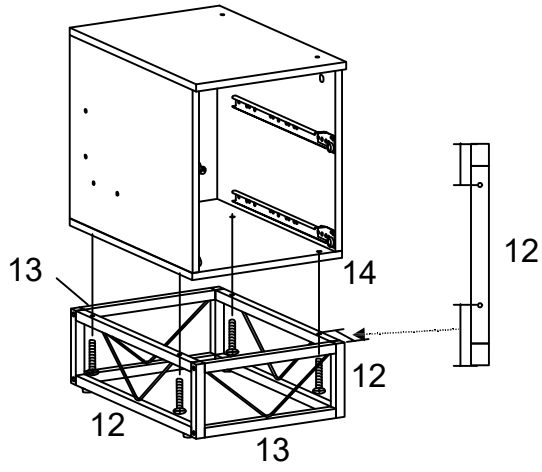
6



▪ SCREWS

	6x35 MM	
	8PCS	

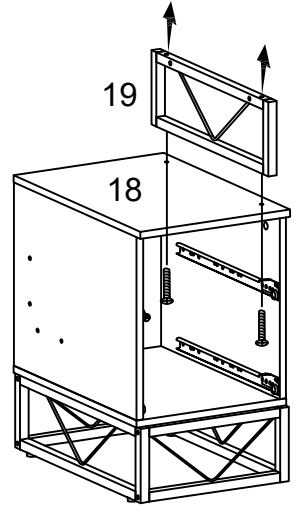
7



▪ SCREWS

	6x30 MM	
	4PCS	

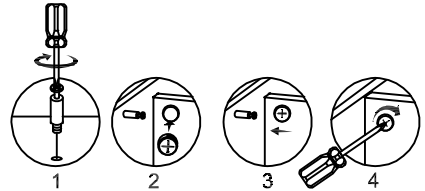
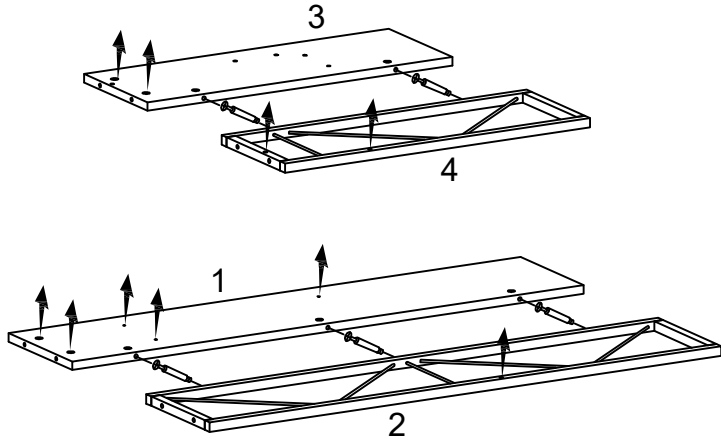
8



▪ SCREWS

	6x30 MM	
	2PCS	

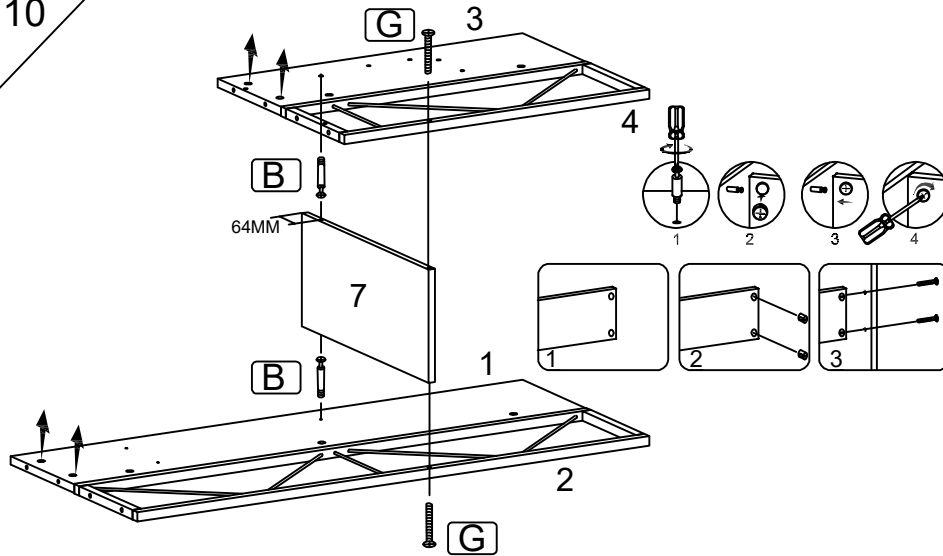
9



▪ SCREWS

	6x40 MM	
	5PCS	
	Ø15 MM	
	5PCS	

10



▪ SCREWS

B 6x45 MM 2PCS

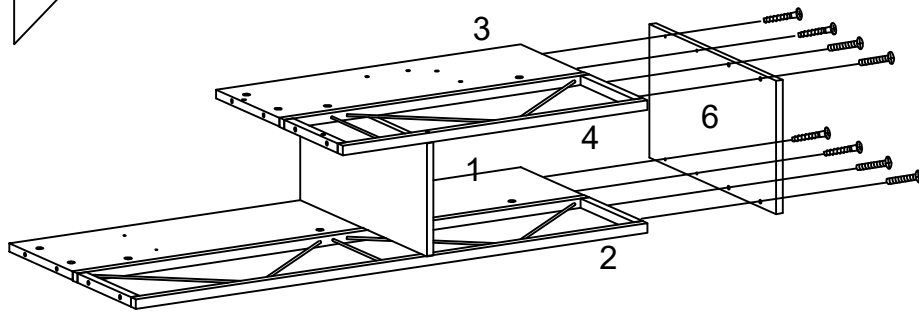
G 6x45 MM 2PCS

L Ø15 MM 2PCS

M Ø10 MM 2PCS



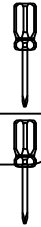
11



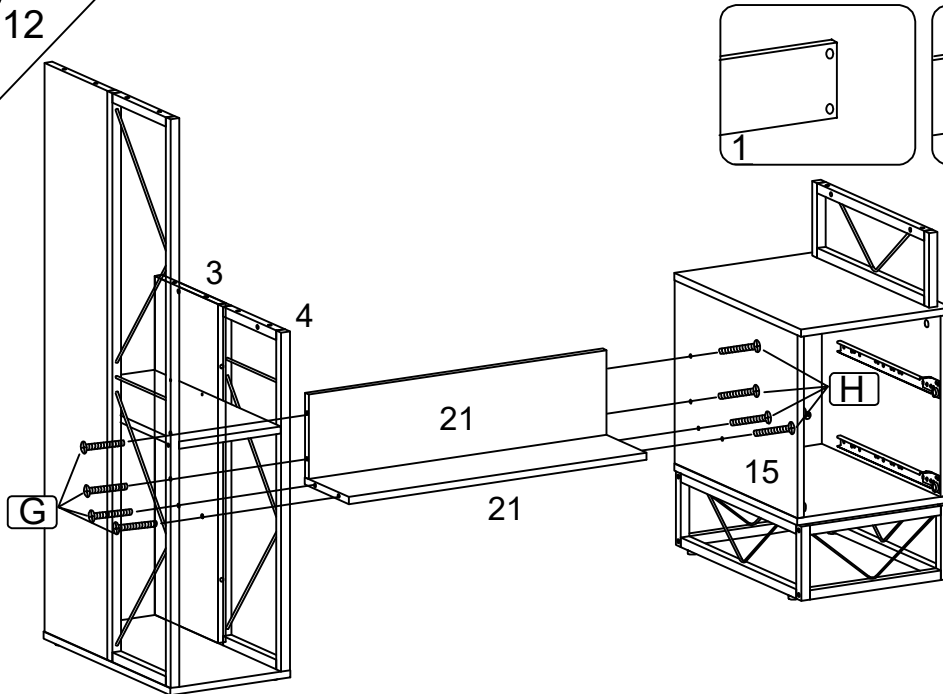
▪ SCREWS

F 5x40 MM 4PCS

D 6x30 MM 4PCS



12

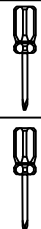


▪ SCREWS

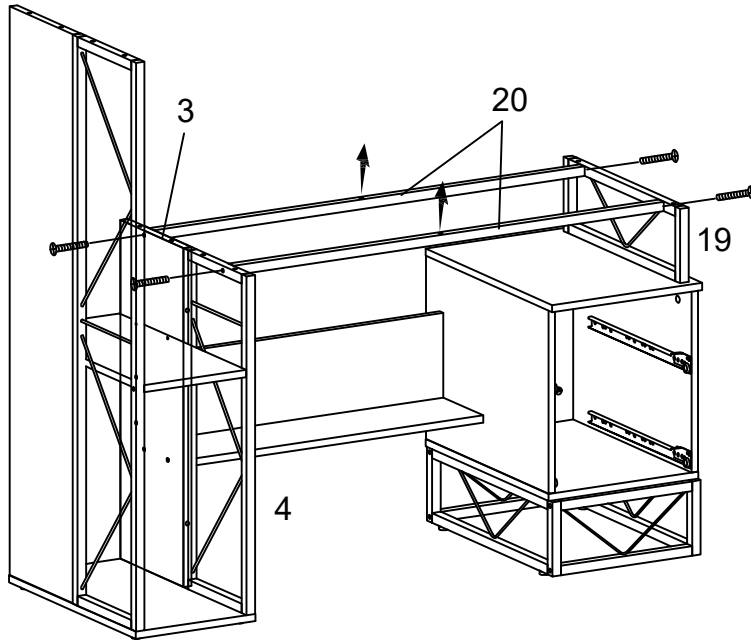
G 6x45 MM 4PCS

H 6x40 MM 4PCS

M Ø10 MM 8PCS



13



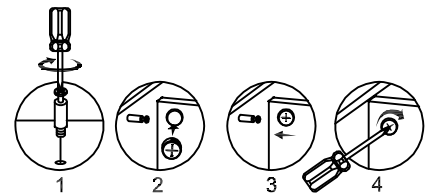
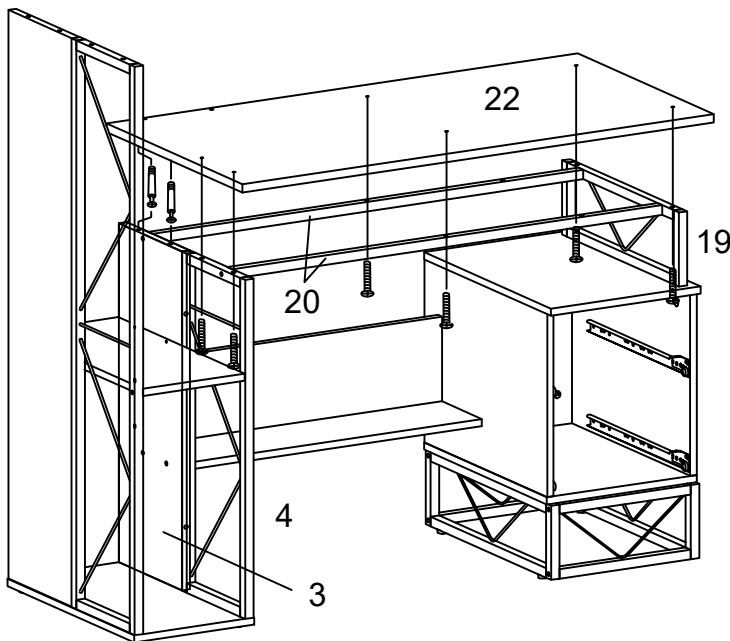
■ SCREWS

I 6x35 MM

4PCS



14



■ SCREWS

B 6x45 MM

2PCS

D 6x30 MM

6PCS

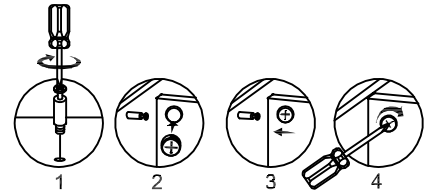
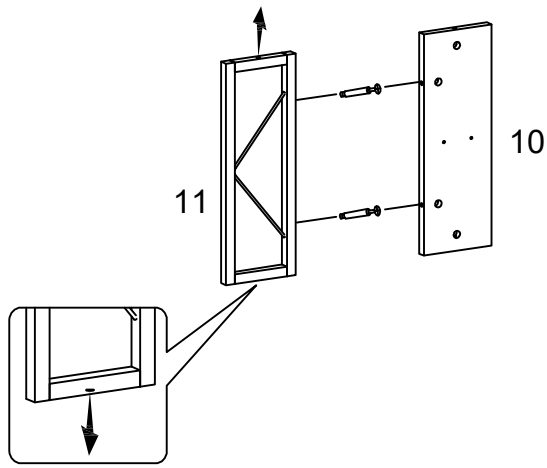
L Ø15 MM



2PCS



15



■ SCREWS

C 6x40 MM

2PCS



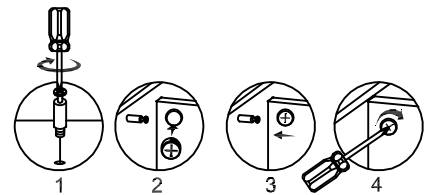
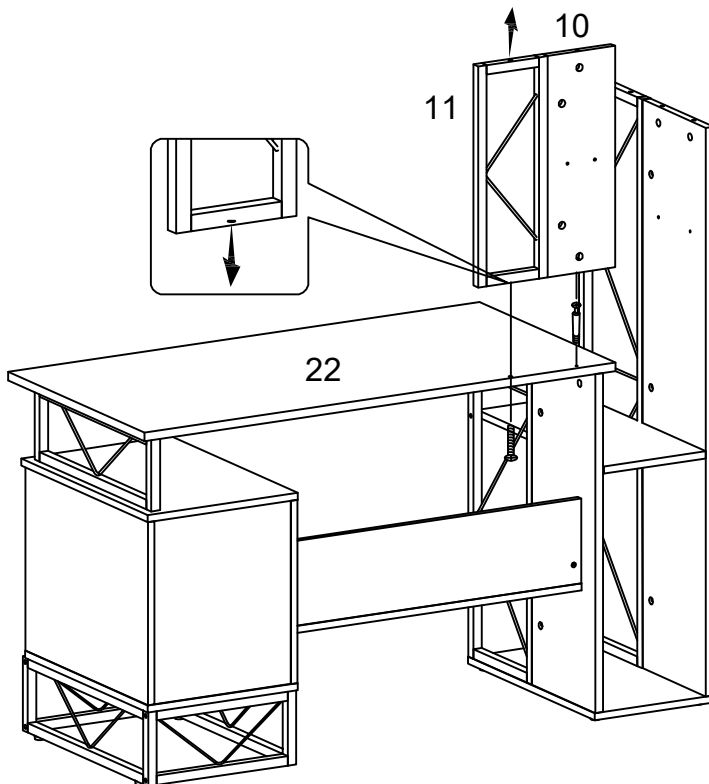
L Ø15 MM



2PCS



16



■ SCREWS

B 6x45 MM

1PC



D 6x30 MM

1PC



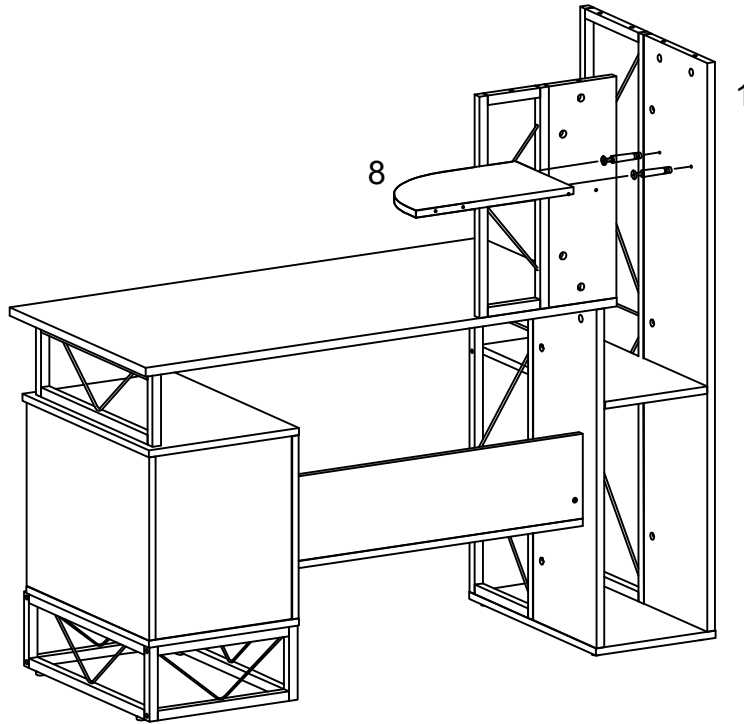
L Ø15 MM



1PC



17



▪ SCREWS

[B] 6x45 MM

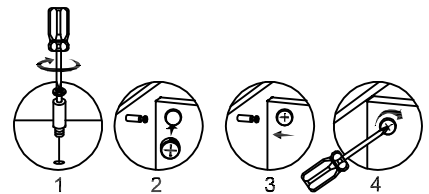
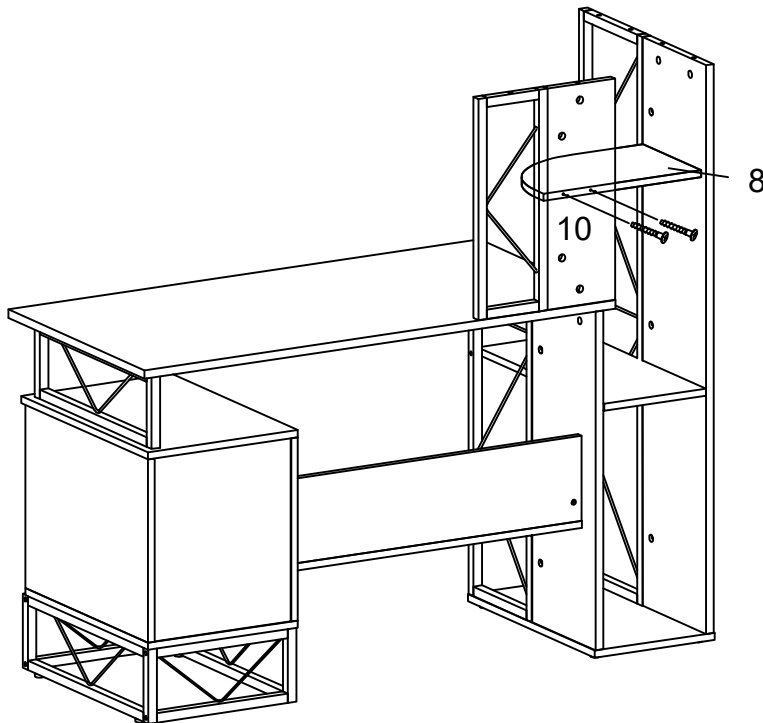
⌀ 2PCS

[L] Ø15 MM

⊕ 2PCS



18



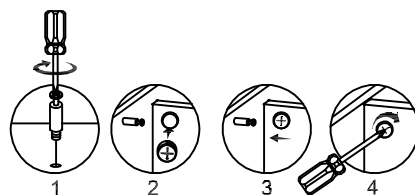
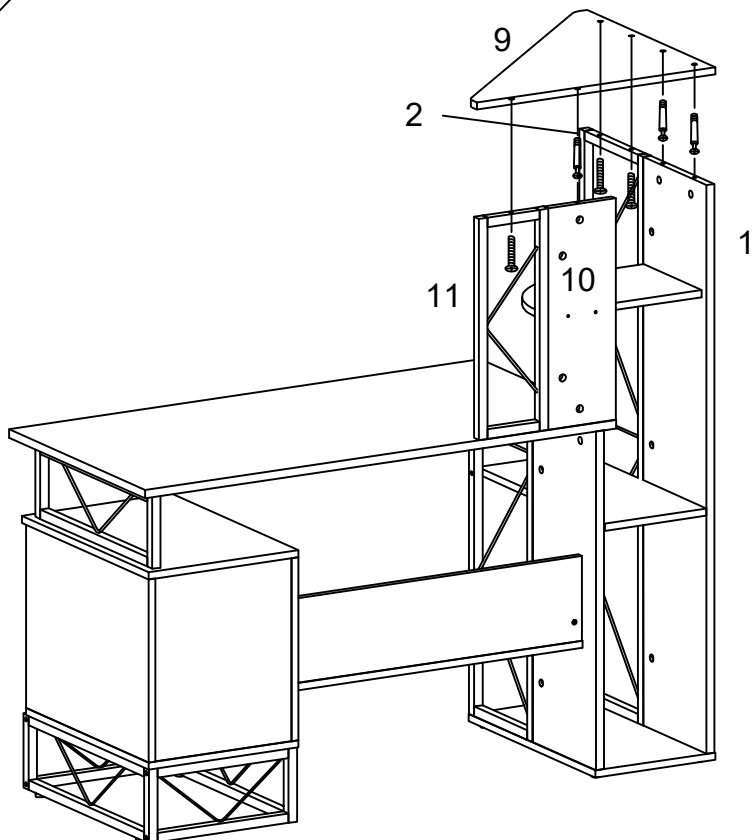
▪ SCREWS

[F] 5x40 MM

⌀ 2PCS



19



■ SCREWS

B 6x45 MM

3PCS



D 6x30 MM

3PCS

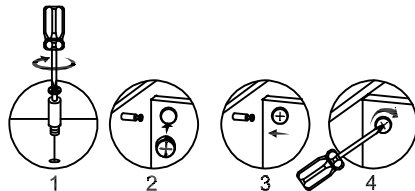
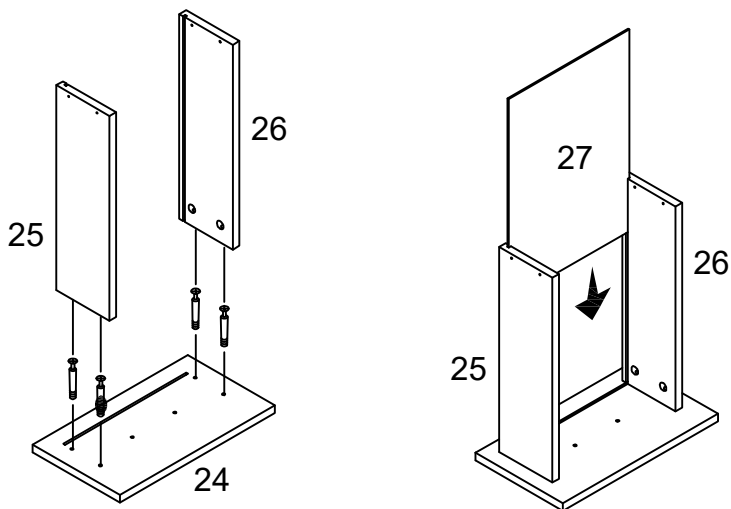


L Ø15 MM

3PCS



20



■ SCREWS

B 6x45 MM

4PCS

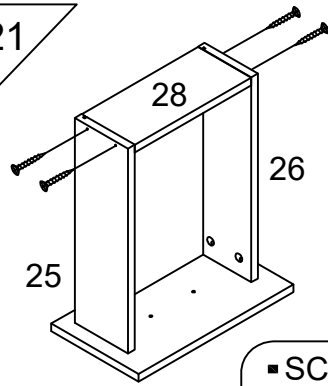


L Ø15 MM

4PCS



21



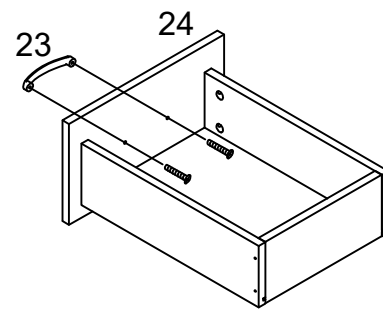
▪ SCREWS

J 4x35 MM

4PCS



22



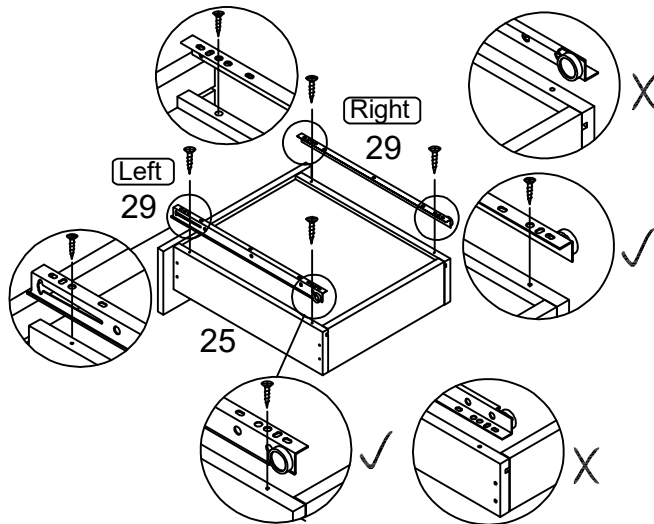
▪ SCREWS

K 4x20 MM

2PCS



23



Repeat steps 20 to 23 to install the other drawer

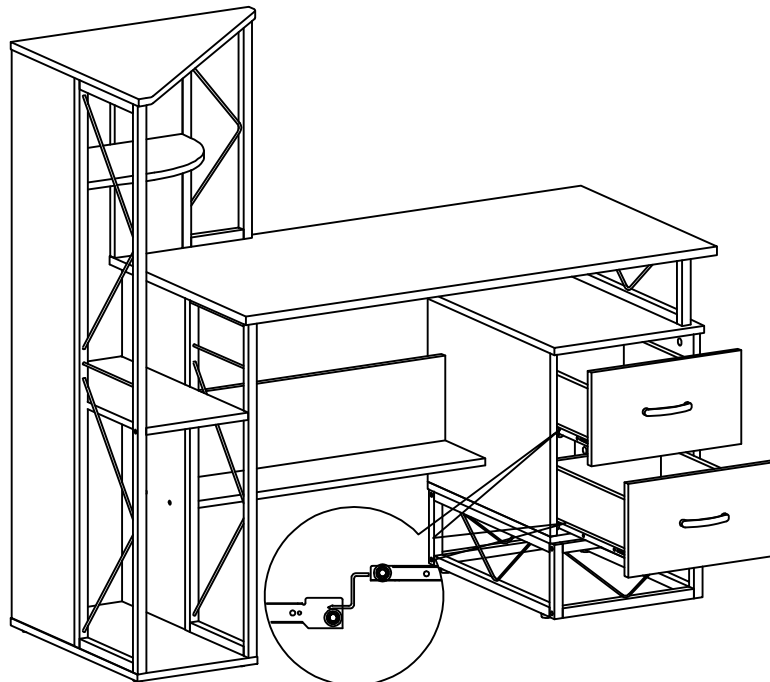
▪ SCREWS

A 3x15 MM

4PCS



24



Make sure inner silver ball bearing slide is at the front of the slide mount and in lock position.

Align both sides of slide runners to slide mounts' openings, then slide all the way in. Apply small force to insert completely if needed.