



# Art Director Executive Chair

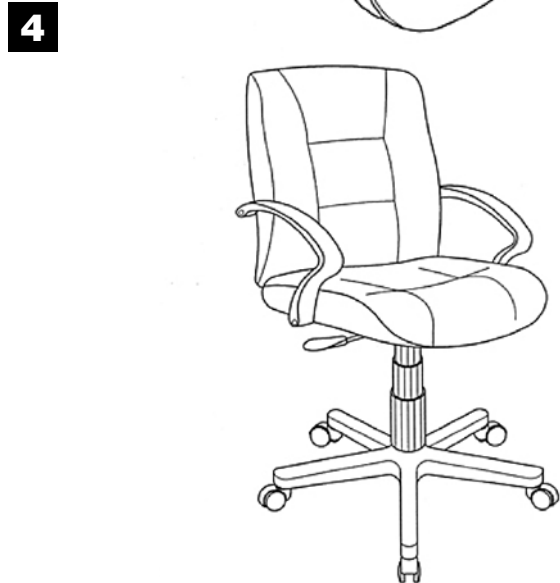
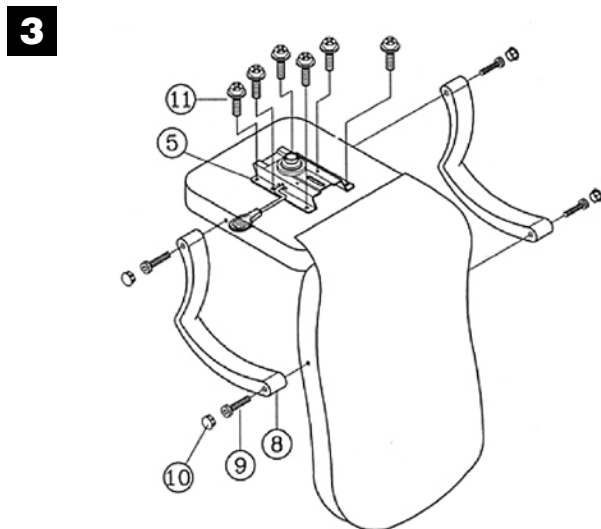
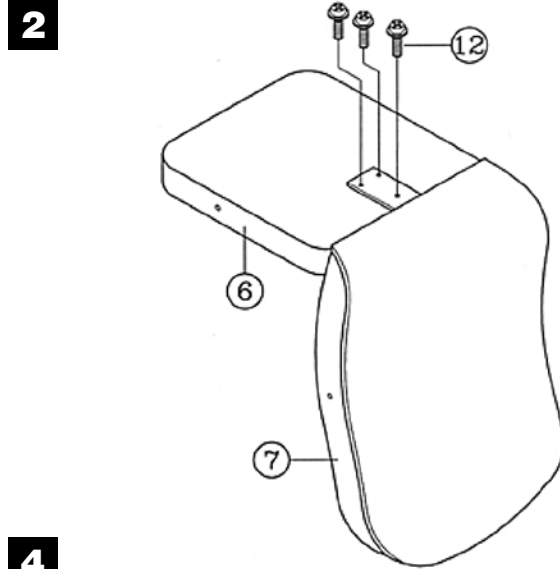
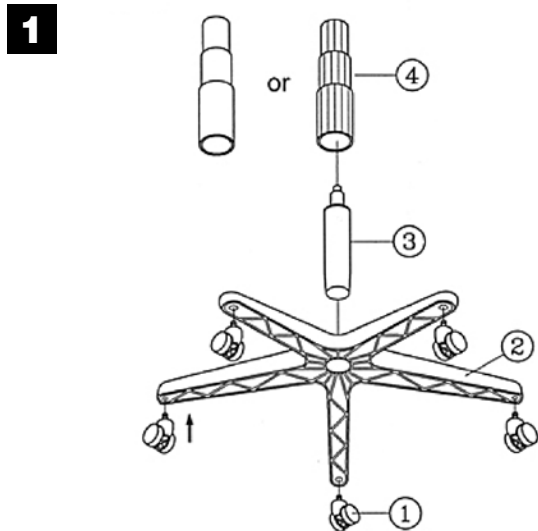
## Assembly Instructions

For model CH777-90

### Parts Included:

KEY	QTY	DESCRIPTION	KEY	QTY	DESCRIPTION	KEY	QTY	DESCRIPTION
1	5	Caster	5	1	Mechanism	9	4	Arm Screw
2	1	Base	6	1	Seat	10	4	Outer Bushing
3	1	Seat Post	7	1	Backrest	11	6	Mechanism Screw
4	1	Seat Post Cover	8	2	Armrest	12	3	Metal Backrest Screw

### To Assemble:



### PREVENTIVE MAINTENANCE AND WARNING!

- USE THIS PRODUCT ONLY FOR SEATING ONE PERSON AT A TIME.
- DO NOT USE THIS CHAIR AS A STEP STOOL / LADDER.
- DO NOT SIT ON ANY PART OF THE CHAIR EXCEPT THE SEAT.
- DO NOT USE CHAIR ON UNEVEN FLOOR SURFACES.
- DO NOT USE CHAIR UNLESS ALL BOLTS, SCREWS AND KNOBS ARE TIGHT. AT LEAST EVERY SIX MONTHS, CHECK ALL BOLTS, SCREWS AND KNOBS TO BE SURE THEY ARE TIGHT.
- IF ANY PARTS ARE MISSING, BROKEN, DAMAGED OR WORN, STOP USE OF THE PRODUCT UNTIL REPAIRS ARE MADE USING FACTORY AUTHORIZED PARTS.
- DISPOSE OF PACKAGING PROPERLY. PLASTIC BAG IS NOT A TOY. DO NOT USE PLASTIC BAG AS HEAD COVERING - IT MAY CAUSE SUFFOCATION.
- FAILURE TO FOLLOW THESE WARNINGS COULD RESULT IN SERIOUS INJURY.

**WARNING:** Serious injury could be caused by one or more of the following: Installation not in strict accordance with the instructions enclosed, misuse by purchaser/user, purchaser/user damage or misuse to or of any included parts, use of product not in accordance with its intended purpose, recklessness, sudden swaying, shifting, or weight change while chair is in use.