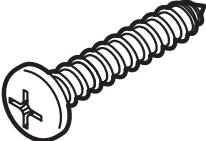
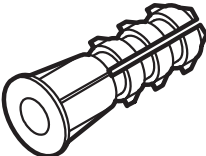

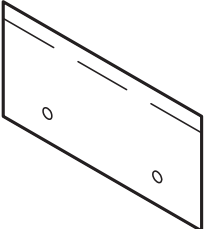
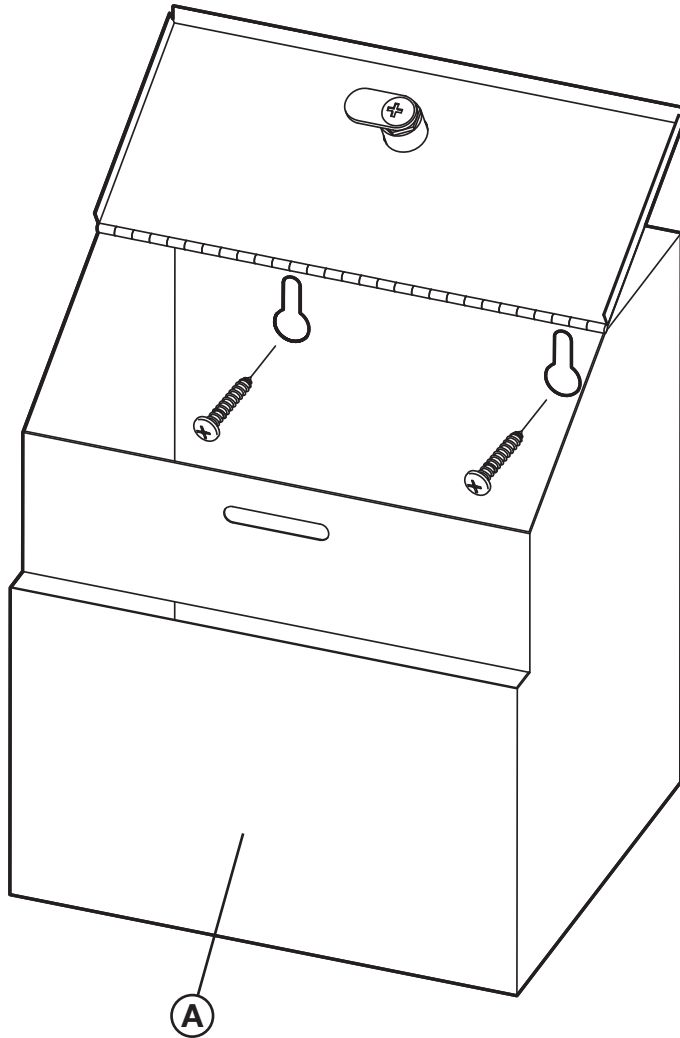


## Mounting Instructions

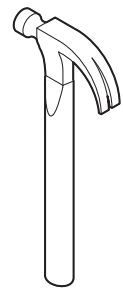
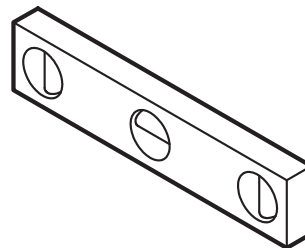
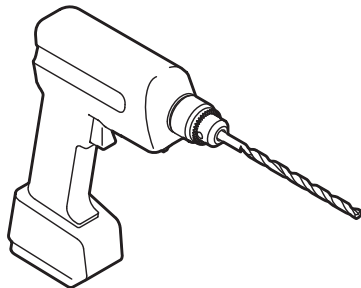
for MODELS **631**

### PARTS LIST

Item	Description	QTY.
A	Steel suggestion box	1
B	 Mounting Screw	2
C	 Wall Anchor	2
D	 Set of 2 Keys	2
E	 Drilling Template	1



**TOOLS MAY BE REQUIRED:** Phillips Screwdriver, Drill with 3/16" bit, Level, and Hammer

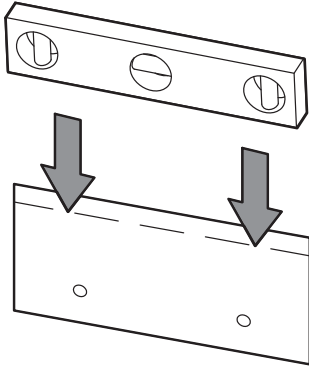


Product Information is available online at: [www.adircorp.com](http://www.adircorp.com)  
For questions or concerns, please call: 845-738-1467

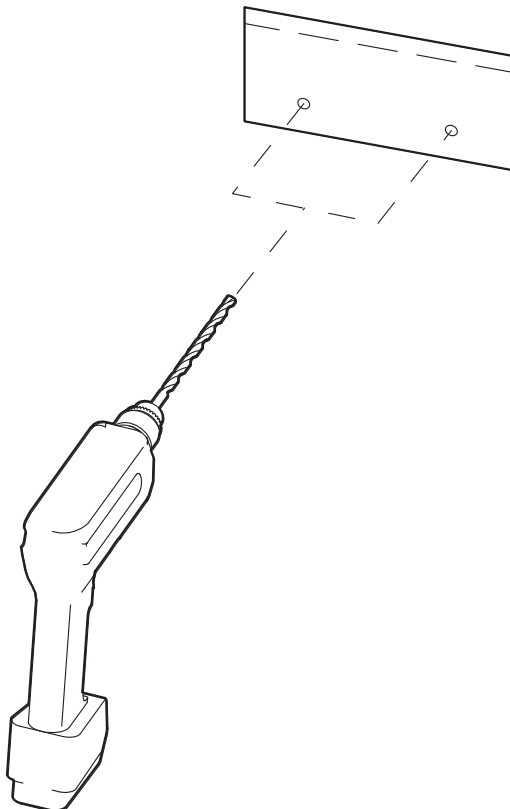
## Mounting Instructions

for MODELS 631

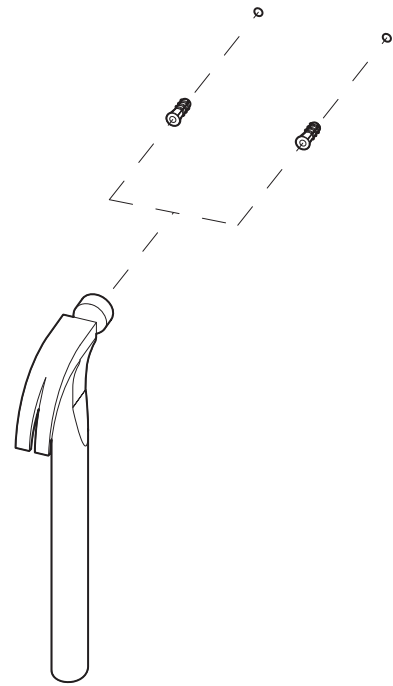
1.



2.



3.



4.

